

Installation Instructions

Model Number 1043-CCOAP

Model 1043-AN Locking Recess Wall/Ceiling/Ceiling Mount Assembly Components:

- Ceiling enclosure Model 1043-CCOAP assembly – 1 each
- Box mounting bracket – 1 each
- #6-32 X 3/4" screw – 4 each
- #6-20 X 1/2" self drilling screw – 2 each
- #8-32 X 1/4" screw – 4 each
- #8-32 X 1/4" M/F standoff – 2 each
- Trim – 1 each
- 1" Conduit Fitting with Nut – 1 each
- Firestop grommet – 1 each
- Installation instructions – 1 each



If any of these items are missing, contact your Oberon representative.

Find a flat work surface to assemble the enclosure, access point and antenna(s) (if needed) prior to mounting in wall/ceiling or ceiling.

Step 1 - Cut a 12" horizontal x 12.25" vertical opening in the "hard lid" ceiling or wall/ceiling (special cutting tools may be required – ref. Figure 1).

Step 2 – Place the enclosure assembly on the work surface. Remove one of the 1" trade size hole cover on the side of the enclosure and install the 1" trade size conduit connector (the side on which the trade size cable clamp is to be installed will be determined by the location the enclosure is to be installed and direction from which conduit will be brought into the enclosure)

Step 3 – Fasten Cisco's AIR-BRACKET and access point to the mounting plate attached to the provided trim (Figure 2).

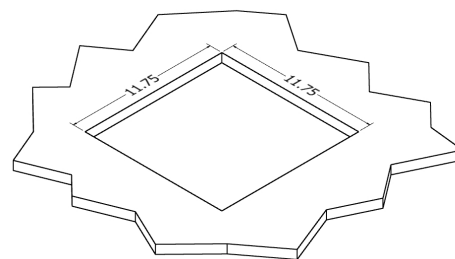


Figure 1 - Cutout Dimensions

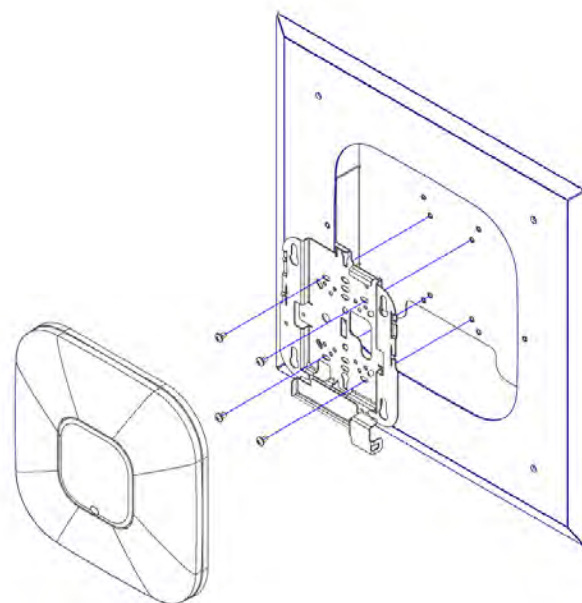


Figure 2 - Access Point and Bracket Attachment

Step 4 – Attach box mounting bracket to studs and secure the back box to the bracket using self-tapping screws (Figure 3).

NOTE: A surface mount box (or biscuit jack) and equipment cord can be conveniently mounted inside the Model 1043. (Non-plenum rated cables can be used inside a plenum rated enclosure). Use an adhesive backed surface mount box. Consider bend radius of horizontal cable and equipment cord when attaching the surface mount box.

Step 5 – Once the assembly has been installed in the wall/ceiling or ceiling and secured using wall/ceiling bridges, run the Ethernet cable into the enclosure through the conduit connector located on the side of the access point enclosure and attach to the access point prior to installing. Clamp the firestop grommet around the cable far enough to allow attachment to the access point (8" - 10"). Insert the grommet into the conduit fitting (Figures 3 and 4)

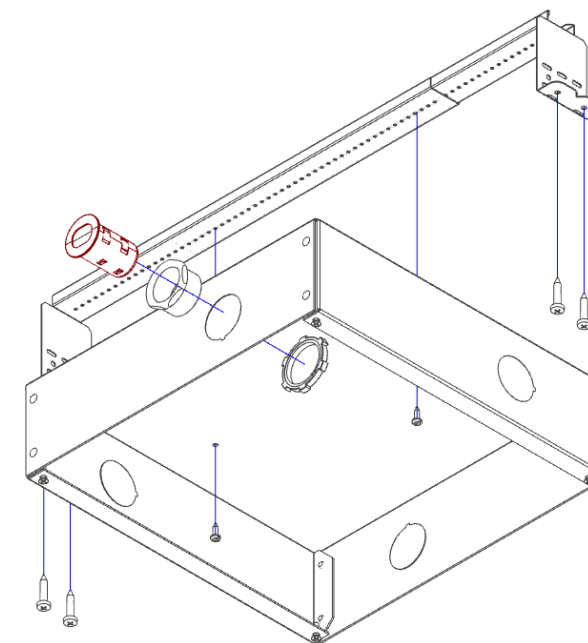


Figure 3 - Back Box Mounting

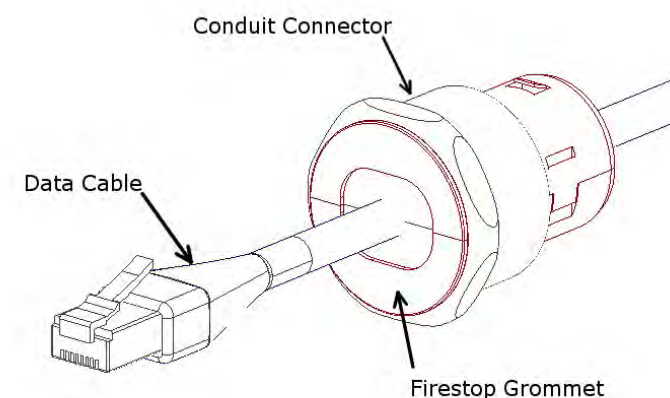


Figure 4 - Firestop Grommet

Step 6 – Once the access point is secured and power and Ethernet are connected, screw the trim with access point into the installed back box using the provided painted screws. The installation is now complete. Reference Figure 5.

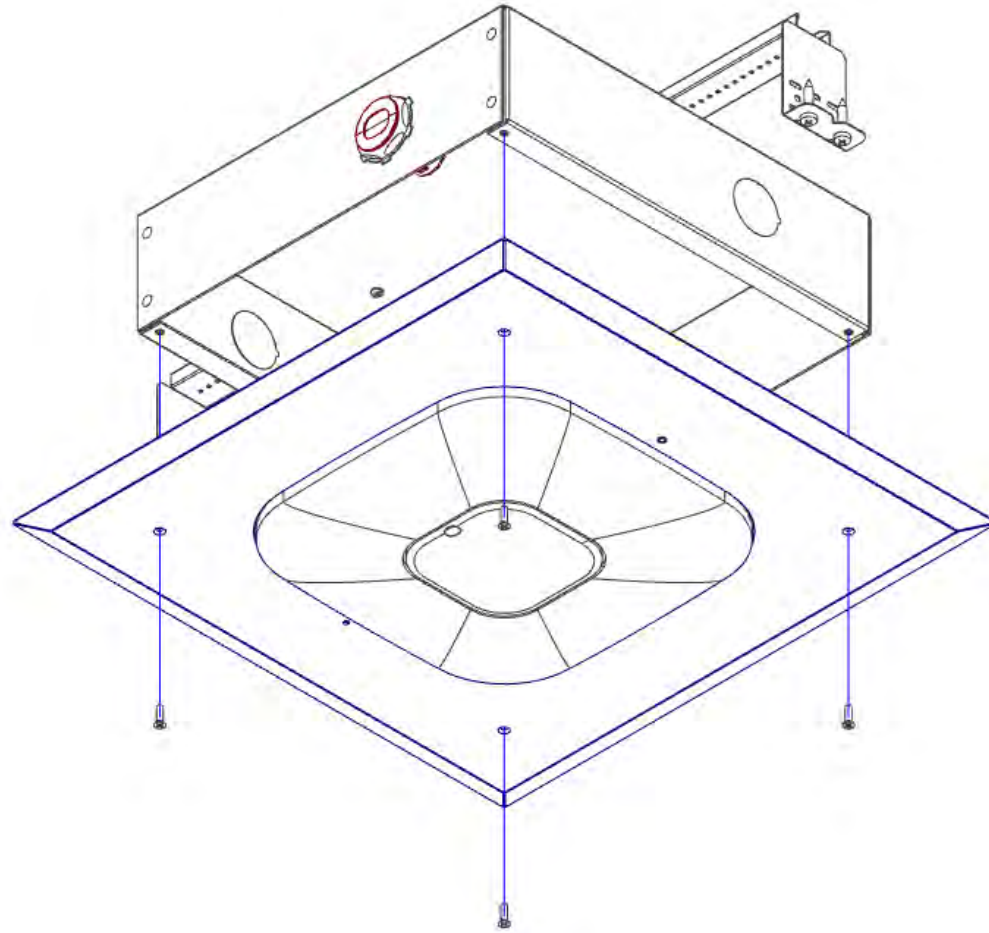


Figure 5 – Trim Install



MODEL 1043-CCOAP

Installation Instructions

****** WARNING ******

Please thoroughly read the product warning below before installation to provide for a safe work environment.

1. The Cabinet System Communications are intended to be installed in accordance with the applicable requirements of the NFPA 70, "National Electrical Code" (NEC), and/or the applicable sections of ANSI C2, "National Electrical Safety Code" (NESC). The Authority Having Jurisdiction will be responsible over the final installation to determine if the final configuration meets the necessary criteria for the installation and use.
2. The Cabinet System Communication is configured in the field by qualified service personnel.
3. Ambient Temperature - A manufacturer's maximum specified operating ambient of 55°C; so that the installer is able to determine acceptability of use of Accessories and components in the operating state.
4. A readily accessible disconnect device shall be incorporated in the building installation wiring.
5. The instructions may include the product Load Ratings or those ratings shall be placed on the product. Maximum weight to be installed in the unit is 25 lbs
6. Only Listed ITE products shall be installed within the enclosure.
7. This product is to be repaired by personnel trained by the manufacturer or returned to the manufacturer for repair or replacement.
8. All knockouts, openings, and holes shall be sealed with a plug constructed of metal, or a non-metal material that complies with UL 2043 or UL 1479.
9. All unused mounting holes should be sealed with tape or other material that complies with UL 1479.
10. AC power is NOT to be used inside the enclosure