

# Installation Instructions

Model Number 1040-CCOAP3800-S

## Assembly Components:

- Suspended Ceiling Kit Model 1040 assembly – 1 each
- Trim Assembly – 1 each
- Torsion Springs - 2 each
- #8-32 x 1/4" Screws - 4 each
- Speed Link – 1 each

If any of these items are missing, contact your Oberon representative.

Find a flat work surface to assemble the *ceiling kit*, *access point* and *antenna(s)* prior to mounting in ceiling.

NOTE – The Model 1040 series has a spring retainer that is used to attach the trim assembly using torsion springs (Figure 1).

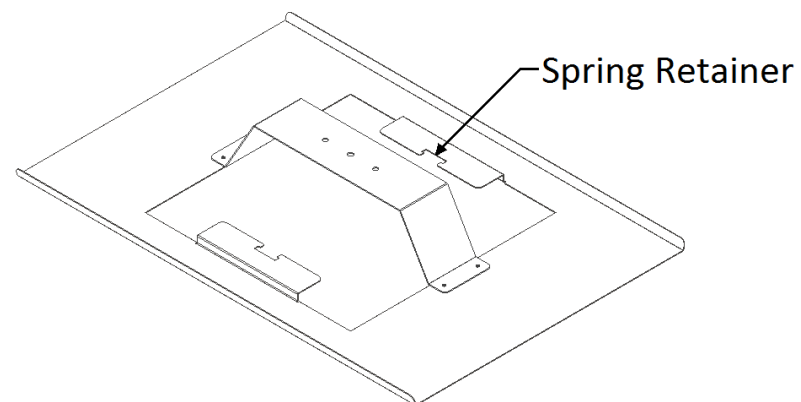


Figure 1 - Spring Retainer

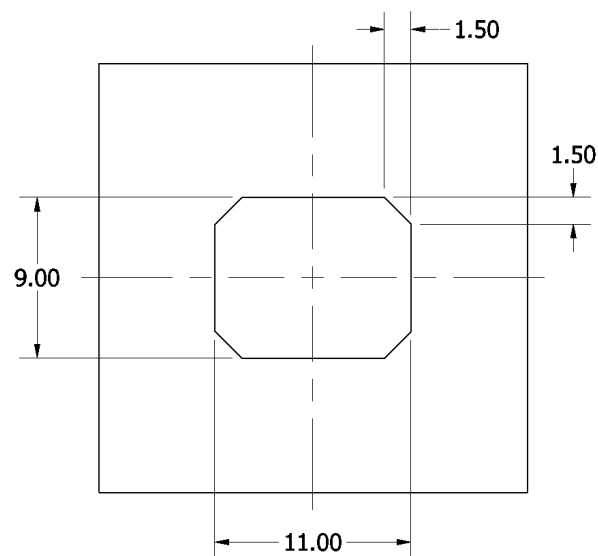


Figure 2 - Ceiling Tile Cutout.

Step 1 – Remove the ceiling tile and cut a 9" X 11" opening with 1.5" x 1.5" chamfers on all four corners with the cutout centered on both the X and Y axis (Figure 2). For larger projects, Oberon has a router template available to help decrease the time required to cut out ceiling tiles (Oberon P/N 104X-ROUTER-TEMPLATE). Contact your Oberon representative for details.

Step 2 – Place the tile back in the ceiling, place the tile bridge on top of the tile. When placing the tile bridge above the tile, it should be placed so the spring retainers are visible and aligned with the 11" width of the tile cutout. Attach the Speed Link to the center support bridge on the Oberon tile bridge and then to a permanent structure within the ceiling.

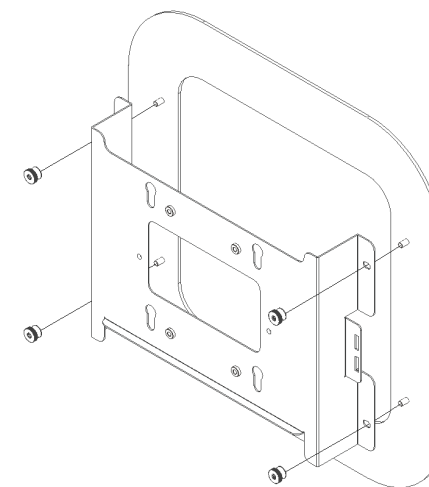


Figure 3 - Remove Mounting Plate

Step 4 - Install the two torsion springs by: **A** pinching the tips together, and **B** inserting the tips into the rectangular openings on each end of the mounting bracket (Figure 4).

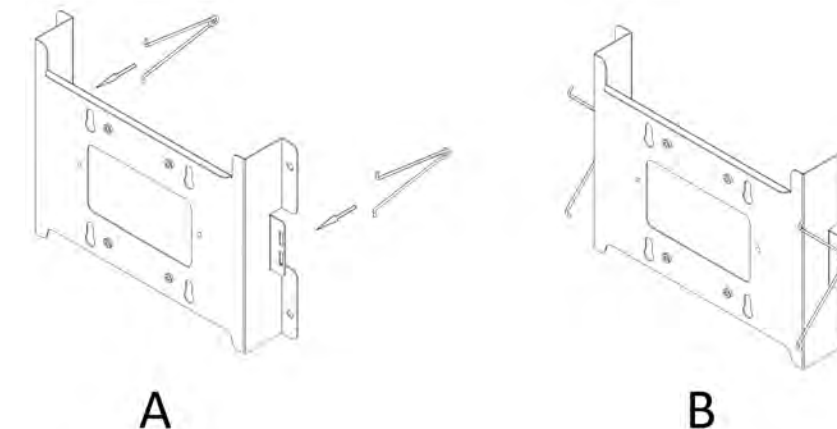


Figure 4 - Installation of Torsion Spring

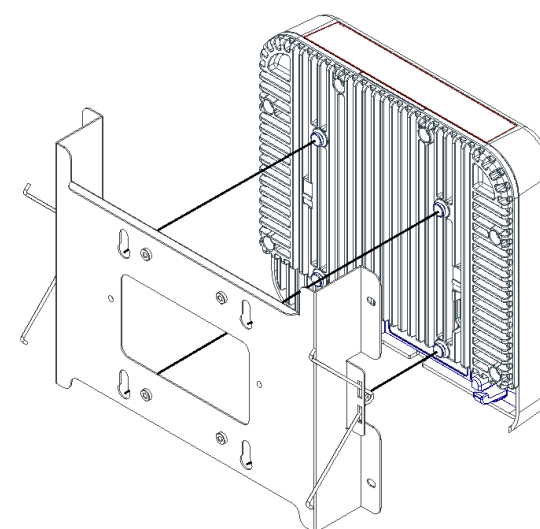


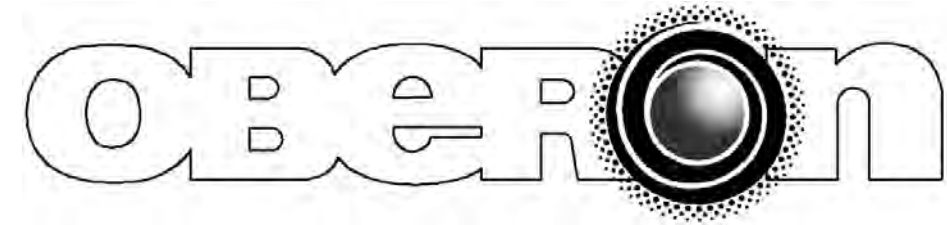
Figure 5 - Reattach Mounting Plate to Trim

**NOTE:** A surface mount box (or biscuit jack) and equipment cord can be conveniently on the back side of the Model 1040. Use an adhesive backed surface mount box. Consider bend radius of horizontal cable and equipment cord when attaching the surface mount box.

Step 3 – The torsion spring that is used to secure the trim assembly to the tile bridge is shipped separately (to prevent damage) and must be installed prior to the first use. To install torsion springs, first detach the mounting plate from the trim face by removing the four thumb nuts (Figure 3).

Step 5 - The Cisco 2700e, 3800e, and 3800i AP's should be aligned with the Oberon mounting plate so that the flange on the bottom of the Oberon mounting plate is opposite the Ethernet ports on the AP, the mounting plate that comes with the Cisco Access point is only required for use with the Cisco 2700i. All other variations get attached directly to the Oberon mounting plate. Attach the Cisco access point to the Oberon mounting plate by inserting the mounting feet on the bottom of the Cisco access point into the keyhole slots and sliding the AP to lock into position, as shown (Figure 5).

For the **2700i ONLY**, first attach the Cisco AIR-BRACKET-1 (supplied with the AP) to the Oberon mounting bracket by using the four (4) supplied #8-32 screws. The Cisco bracket should be aligned with the Oberon mounting plate so that the Ethernet ports are opposite the flange on the bottom of the Oberon mounting plate. Slide the AP onto the Cisco bracket to attach it to the mounting plate.



# MODEL 1040-CCOAP3800-S

## Installation Instructions

\*\*\*\* **WARNING** \*\*\*\*

**Please thoroughly read the product warning below before installation to provide for a safe work environment.**

Step 6 - Reassemble the trim by attaching the trim piece which was previously removed by inserting the studs into the slotted holes and installing the thumb nuts as shown in Figure 6.

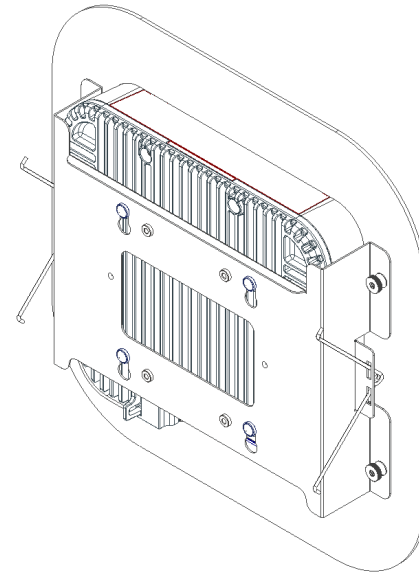


Figure 6 - Reassemble Trim

Step 7 - To complete the installation, attach the Ethernet cable to the access point. Then compress the torsion spring on one side of the trim assembly and place it into the opening of the spring retainer on the tile bridge, as shown in Figure 7. Repeat the same procedure for the second torsion spring to the other spring retainer. To complete the assembly push the trim up toward the ceiling tile, the torsion springs will draw the trim up tight against the tile.

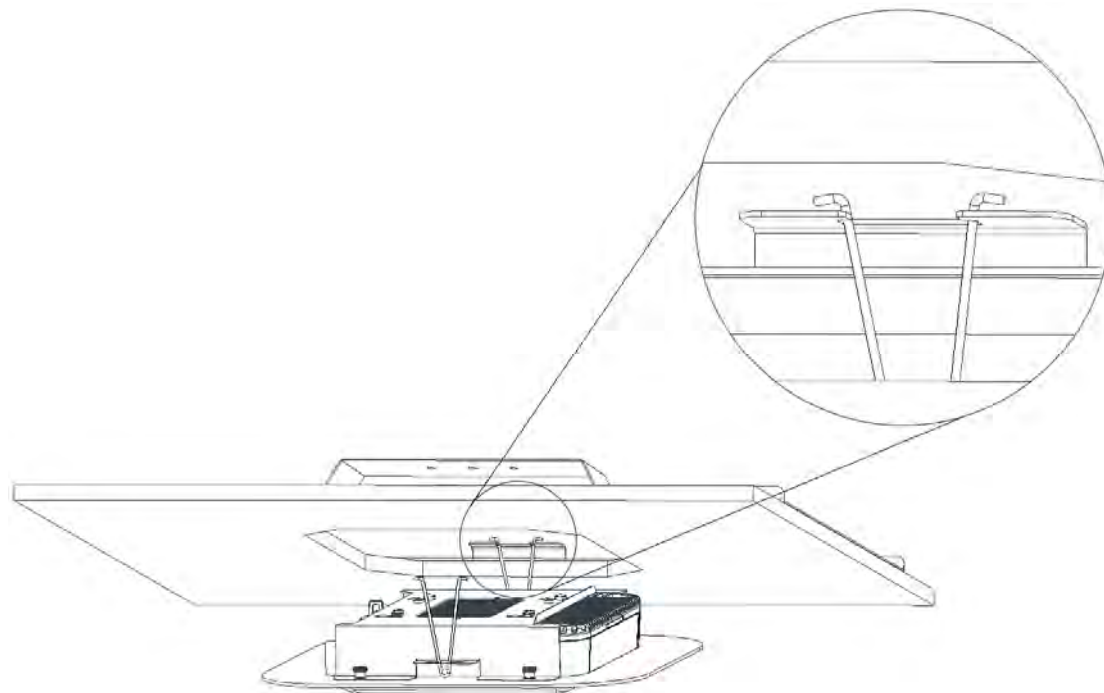


Figure 7 - Assembly of Trim to Backbox

1. The Cabinet System Communications are intended to be installed in accordance with the applicable requirements of the NFPA 70, "National Electrical Code" (NEC), and/or the applicable sections of ANSI C2, "National Electrical Safety Code" (NESC). The Authority Having Jurisdiction will be responsible over the final installation to determine if the final configuration meets the necessary criteria for the installation and use.
2. The Cabinet System Communication is configured in the field by qualified service personnel.
3. Ambient Temperature - A manufacturer's maximum specified operating ambient of 55°C; so that the installer is able to determine acceptability of use of Accessories and components in the operating state.
4. A readily accessible disconnect device shall be incorporated in the building installation wiring.
5. The instructions may include the product Load Ratings or those ratings shall be placed on the product. Maximum weight to be installed in the unit is 25 lbs
6. Only Listed ITE products shall be installed within the enclosure.
7. This product is to be repaired by personnel trained by the manufacturer or returned to the manufacturer for repair or replacement.
8. All knockouts, openings, and holes shall be sealed with a plug constructed of metal, or a non-metal material that complies with UL 2043 or UL 1479.
9. All unused mounting holes should be sealed with tape or other material that complies with UL 1479.
10. AC power is NOT to be used inside the enclosure.