

# Installation Instructions

## Model Number 1024-C

### Assembly Components:

- Wall mount enclosure Model 1024-C assembly – 1 each
- Internal Panel – 1 each
- T-Bar Bracket – 1 each
- #8 self tapping screw – 4 each
- Mounting feet – 4 each
- #10 - 32 mounting feet screw – 4 each
- Spacer Kit – 1 each
- Installation Instructions – 1 each

If any of these items are missing, contact your Oberon representative.

Find a flat work surface to assemble the enclosure, access point's mounting plate, and antenna(s) prior to mounting on wall.

Step 1 – Place the enclosure assembly on the work surface with the door opened. If applicable, locate the appropriate location for data and power ingress. These areas will have to be drilled into the enclosure and sealed properly to maintain the enclosure's NEMA rating.

Step 2 – Secure a surface mount box to the base of the enclosure where convenient (Figure 1).

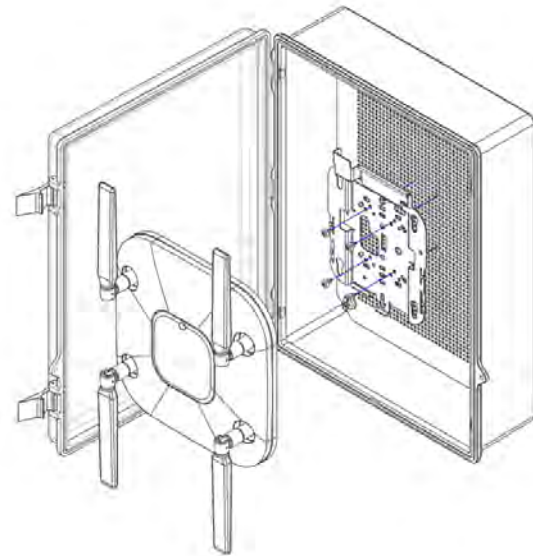


Figure 2

Step 2a – Securely fasten the access point's mounting plate to the enclosure panel using (4) # 8 self tapping screws. The assembly includes a T-bar bracket to attach to the panel so any Access Point can be mounted. **Use Cisco AIR-AP-BRACKET-2 for 2600e/3600e series Access Points and AIR-AP-BRACKET-1 for 3500e series.** (Figure 2)

Step 2b – If required, the assembly includes a T-Bar Bracket that fastens to the internal panel so any Access Point can be mounted (Figure 3). A spacer kit is included to raise the height of the T-Bar if extra space is required.

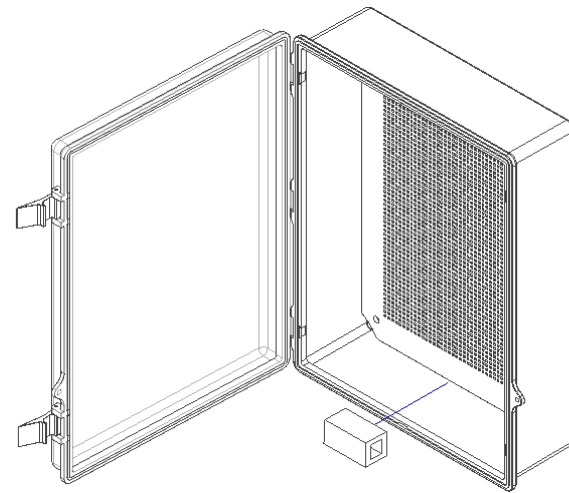


Figure 1

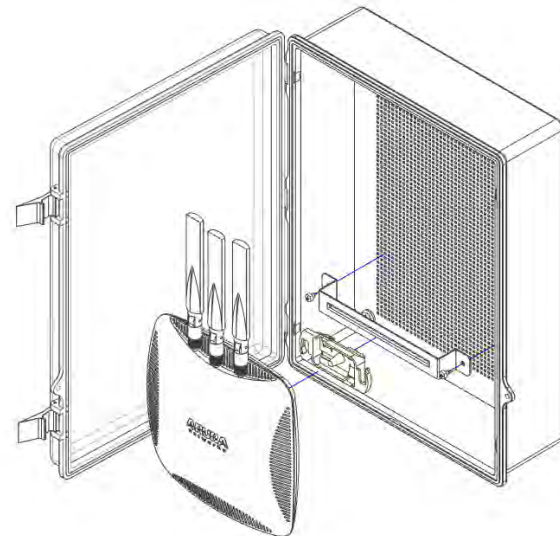


Figure 3

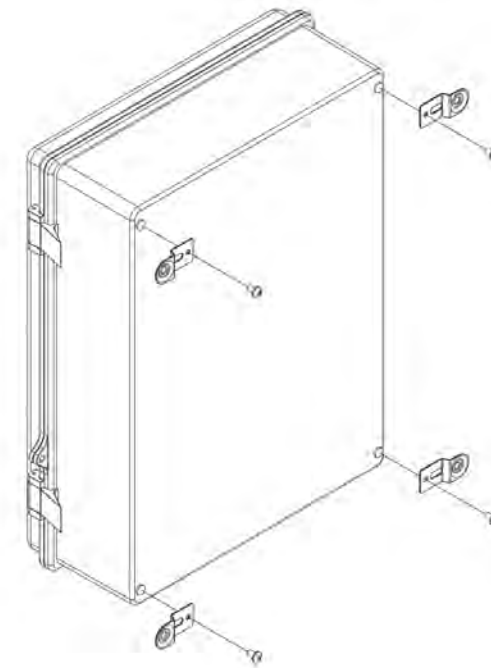


Figure 4

Step 3 – If applicable, install the cable clamp and the antenna(s) per the instructions of manufacturer.

Step 4 – Attach the (4) four mounting feet to the back of the enclosure with the (4) four #10 - 32 screws provided (Figure 4).

The assembled unit is now ready for wall mounting.

Step 5 – Place the enclosure on the wall where it is to be installed (it is recommended that you mount directly to a stud). Mark the screw locations (note: there are several screw holes located in the back of the enclosure that are intended to be used for mounting purposes). Use a minimum of two (2) #10 x 2" or larger screws to secure the enclosure in place. However, if there is no stud at the mounting location, it is recommended that you use a minimum of 4 drywall anchors to secure the enclosure in place (Figure 5).

Step 6 – Run the data and power cable (if required) through the ingress holes drilled in step 1. In order to maintain a separation of signal and power, install the data and power cables through opposite sides of the enclosure.

Step 7 – Attach data and power cables to the access point and shut the and latch the door. The enclosure can be secured by attaching a lock to the security hole near one of the latches

Step 8 – The installation is now completed.

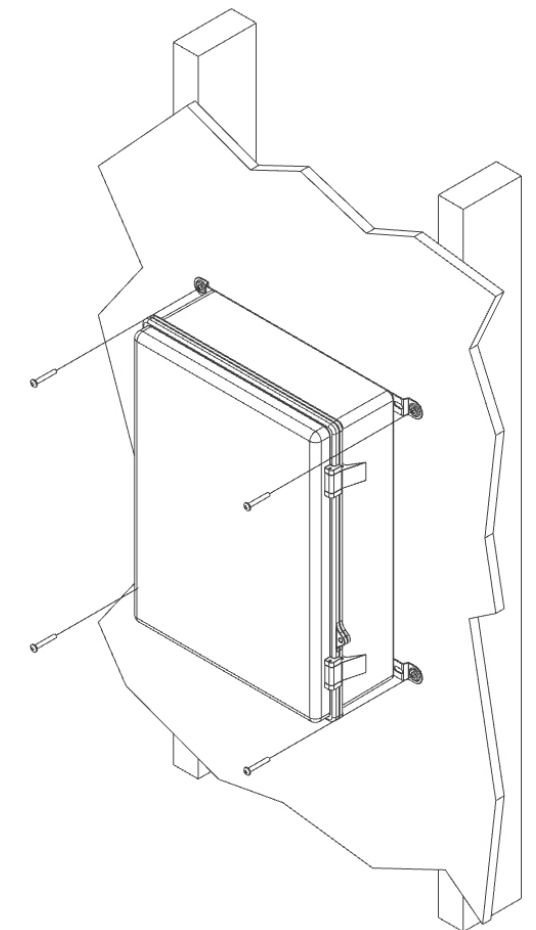


Figure 5



## **MODEL 1024-C**

### **Installation Instructions**

#### **\*\*\*\* WARNING \*\*\*\***

**Please thoroughly read the product warning below before installation to provide for a safe work environment.**

1. Always consider the hazard to other people:
  - a. During installation, use warning signs, etc.
  - b. Don't work with people directly below the work area as equipment could fall and cause an injury
2. Be sure to securely fasten the enclosure to the wall or ceiling to prevent the enclosure from becoming dislodged.