

Installation Instructions

Model Number 1020-00

Assembly Components:

- Polycarbonate enclosure (base and lid) with T-Bar Bracket – 1 each
- M4 metric pan head machine screws – 6 each
- #6 - 32 x 1/4" Screw – 2 each
- #6 - 32 x 7/8" Screw – 2 each
- Nylon Spacer – 2 each
- Installation Instructions – 1 each

If any of these items are missing, contact your Oberon representative.

Find a flat work surface to assemble the enclosure, access point's mounting plate and antenna prior to mounting on wall.

Step 1 – Place the enclosure assembly on the work surface with the lid off.

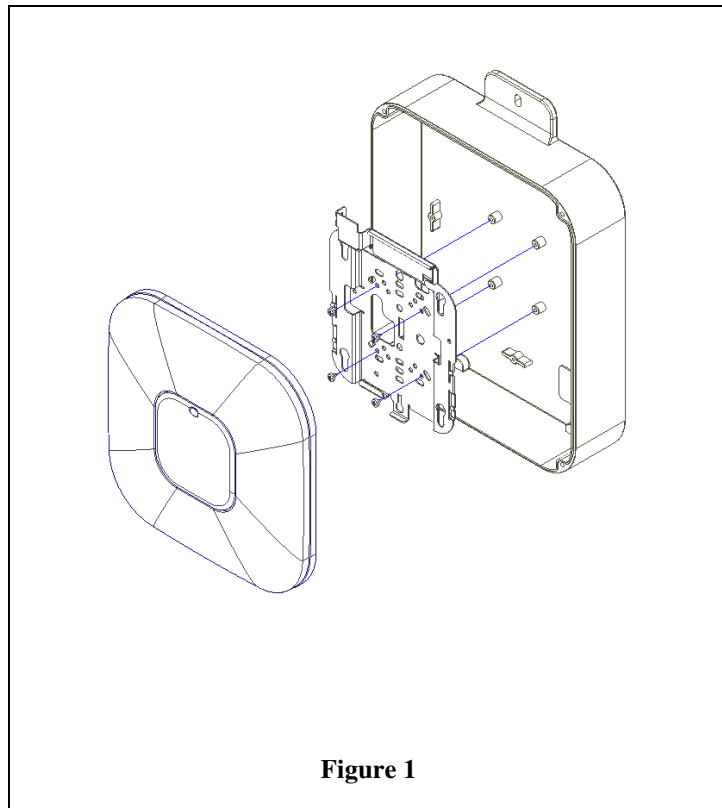


Figure 1

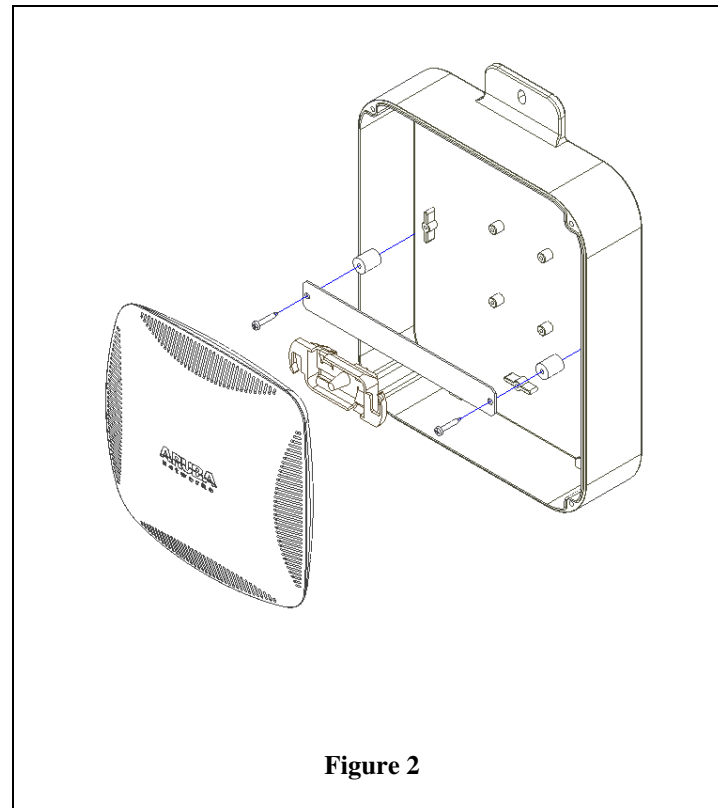


Figure 2

Step 2 – If applicable, locate the appropriate location for data and power ingress. These areas will be drilled into the enclosure and sealed properly to maintain the enclosure's water tightness.

Step 3a – (For Cisco APs Only) Install Cisco's Access Points by fastening the Air Bracket with the included #6 x 1/4" screws (Figure 1).

Step 3b - (For Aruba Networks and other APs) Install the AP per the manufacturer's T-Bar installation instructions (Figure 2). The T-Bar Bracket may be positioned to orient the AP as desired.

NOTE: For Aruba Networks Access Points and other access points with the data connector on the bottom, use the nylon spacer under the T-Bar Bracket and the #6- 32 x 7/8" screws to allow space for the cable and connector.

Step 3 – After the cables are attached, place the lid on the base then secure it with the four (4) pan head machine screws provided with the enclosure. **The screws should be tightened to 8 in-lbs to properly seal the enclosure.** Do not over tighten. Make sure the gasket is properly seated prior to tightening.

The assembled unit is now ready to be mounted.

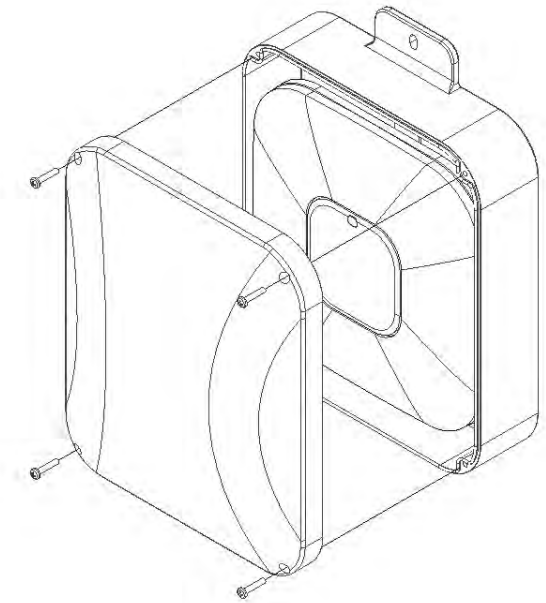


Figure 3: Tighten to 8 in.-lbs

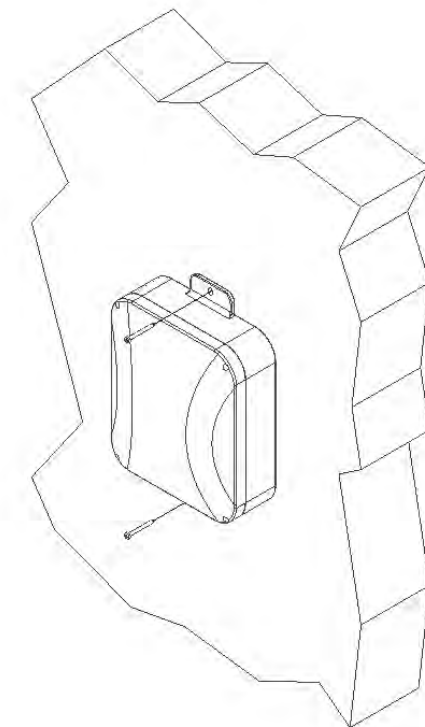
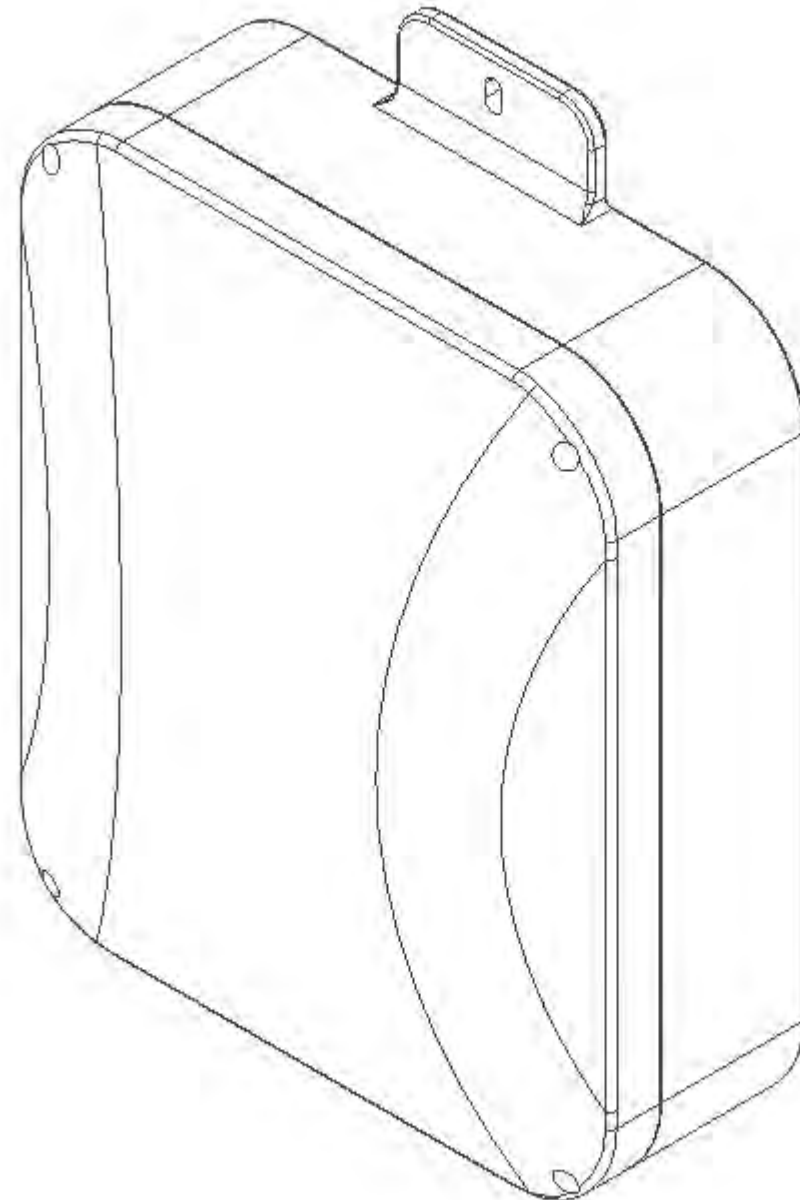


Figure 4



MODEL 1020-00

Installation Instructions



****** WARNING ******

Please thoroughly read the product warning below before installation to provide for a safe work environment.

1. Always consider the hazard to other people:
 - a. During installation, use warning signs, etc.
 - b. Don't work with people directly below the work area as equipment could fall and cause an injury
2. Be sure to securely fasten the enclosure to the wall or ceiling to prevent the enclosure from becoming dislodged.