



MODEL 1015-00 and 1015-C
Installation Instructions

****** WARNING ******

Please thoroughly read the product warning below before installation to provide for a safe work environment.

1. When closing the enclosure access door, be sure that the cam lock is completely engaged to prevent the access door from accidentally swinging open (Note: The cam lock has a "snap" feature to lock it firmly in place, be sure to turn the lock fully to snap it in place).
2. When ceiling mounted, be sure to support the door to prevent the door from accidentally falling open.

Installation Instructions

Model Numbers 1015-00 and 1015-C

Assembly Components:

- Wall / Ceiling Enclosure, Model 1015-00 OR 1015-C assembly – 1 each
- Keys for access door lock – 2 each
- T-Bar Bracket – 1 each
- #6 x 1/4" Flat Head Screw – 4 each
- 1/2" O.D. Nylon Spacer – 2 each
- #6 x 7/8" Screw – 2 each
- #6 x 1/4" Screw – 2 each

If any of these items are missing, contact your Oberon representative.

Step 1 – Open the enclosure door and mount the access point's mounting plate to the enclosure's "T-Bar" mounting bracket using the access points instructions for mounting to a ceiling T-Bar if required. (Ref. Figure 1 and Figure 2).

NOTE: Aruba Networks sells the mounting bracket separately. To install Aruba Networks Access Points you will need to purchase the mounting plate kit required for your AP.

Use the provided spacer kit if the access point needs to be raised.

Step 2 – When mounting the enclosure on a wall or hard lid surface, use the four (4) keyholes located on the four corners of the back box so that you will be able to mount the enclosure to the surface using screws and anchors (not included).

Step 3A – If possible, the preferred mounting method is to place an Ethernet wall plate at the location where the enclosure will be mounted. There is a wall plate opening in the back of the enclosure to accommodate the wall plate.

Step 3B – If it is not possible to place a wall plate where the enclosure is to be installed, decide the best location from which to bring in the Ethernet cable. There are two (2) 3/4" trade sized knockouts located on the top and bottom of the enclosure. Bring the Ethernet cable (and conduit if needed) into the enclosure in a way that best fits your application.

NOTE: A surface mount box (or biscuit jack) and equipment cord can be conveniently mounted inside the Model 1015. (Non-plenum rated cables can be used inside a plenum rated enclosure). Use an adhesive backed surface mount box. Consider bend radius of horizontal cable and equipment cord when attaching the surface mount box (Ref. Figure 3).

Step 4 – Place the enclosure against the surface to which it will be mounted and mark the hole locations to drill pilot holes.

Step 5 – Set the enclosure to the side and drill holes for wall anchors. Install the wall anchors and mount the enclosure.

Step 6 – Bring in the Ethernet cable and attach to the access point.

Step 7 – Attach the access point to the previously installed access point mounting plate, close and lock the door. Installation is now complete.

Note: If mounting any Cisco access point using AIR-AP-BRACKET-1, use the provided #6 x 1/4" flat head screws.

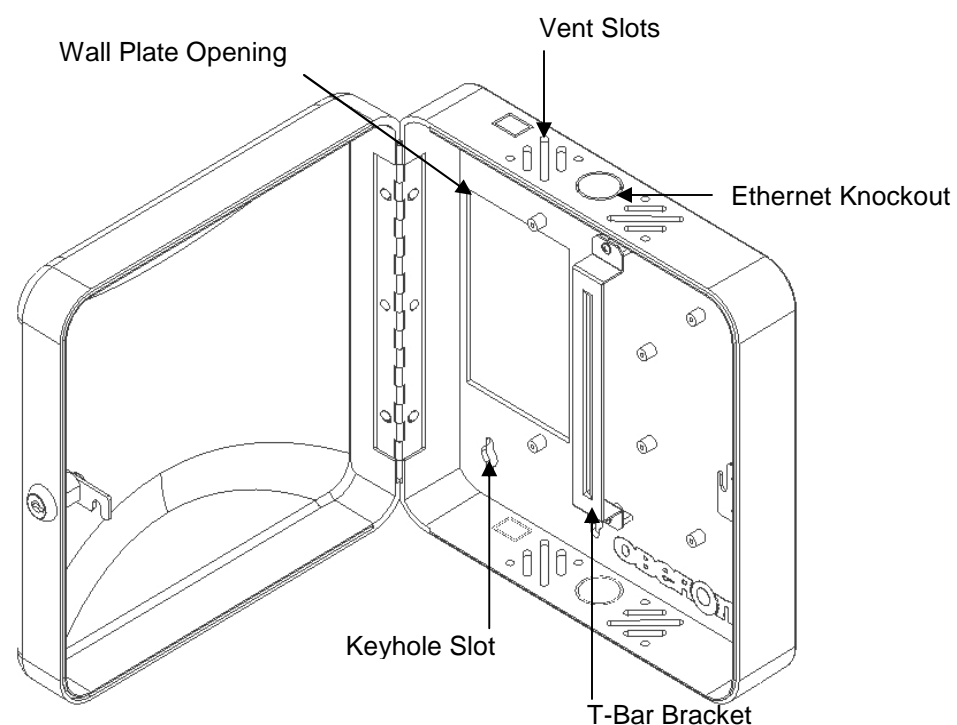


Figure 1 - 1015-00 Features

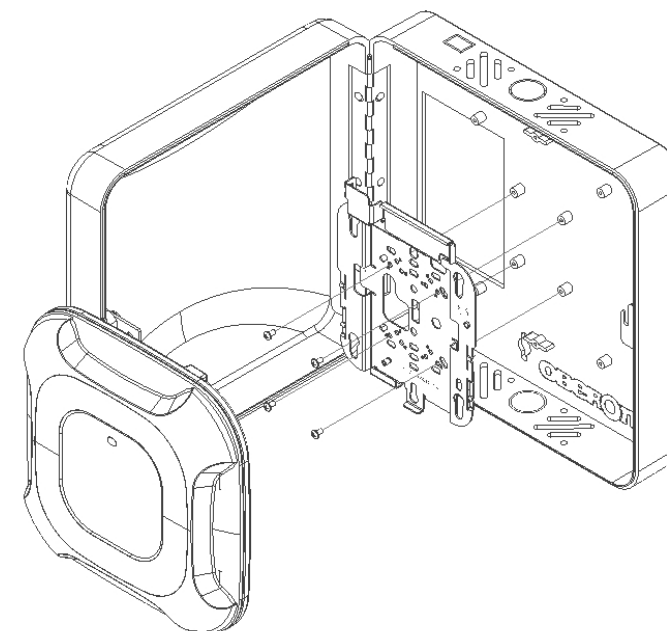


Figure 2 – Model 1015-00 Access Point Installation

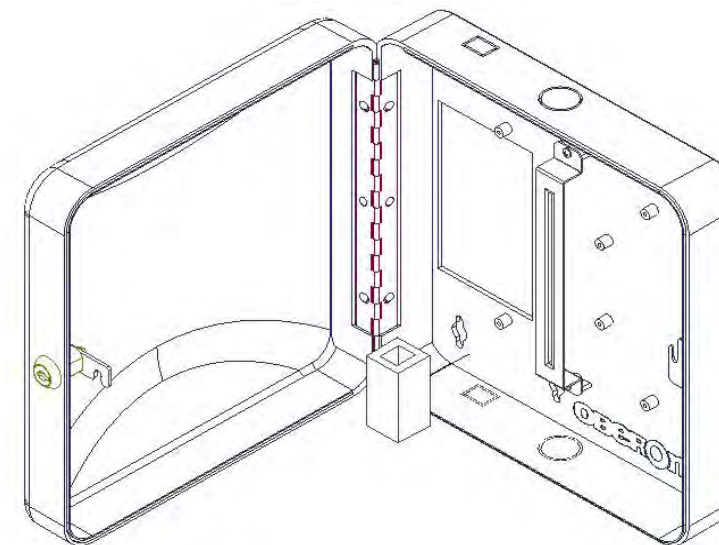


Figure 3 –Surface Mount Box Installation