

KTC220 □ HORIZONTAL DESK CLAMP ARRAYS



KTC220 = KTA1004 + KTA1014 + KTA220

FEATURES

- 1 CENTRIS® TECHNOLOGY**
PATENTED FEATURE
Provides smooth fingertip tilt in all directions using the screen's center of gravity. Screen angle stays set until you decide to readjust.
- 2 ADVANCED DISPLAY MOUNTING**
Teardrop hole pattern makes mounting the screen quick and easy.
- 3 INDEPENDENT ADJUSTMENT**
Adjust each screen independently for ergonomic alignment.
- 4 CABLE MANAGEMENT**
Conceal and protect cables using snap-on covers and cable clip.
- 5 STABLE CLAMP**
Heavy-duty, solid steel desk clamp and oversized pole for unmatched stability.



SPECIFICATIONS

Pole Height	14" (356 mm)
Max. Width Per Monitor	22.7" (577 mm)
Max. Height Per Monitor	26" (660 mm)
Tilt	±15°
Weight Capacity Per Monitor*	35 lbs (15.9 kg)
Desk Thickness	0 - 3.25" (0 - 83 mm)
Colors	Black, Silver

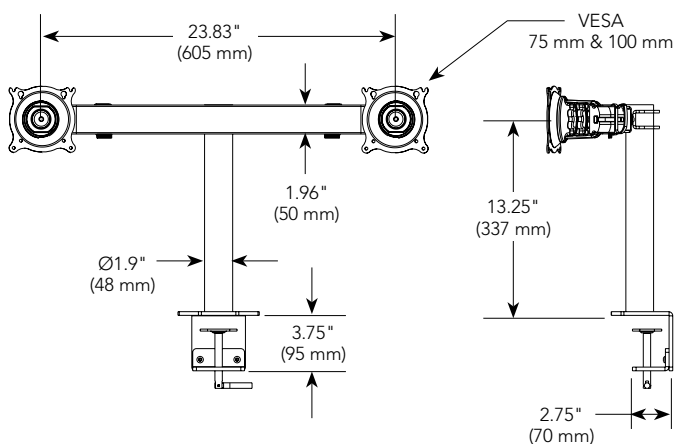
*Weight capacity given for KTC220. See www.chiefmfg.com for more information on other product options.

WHAT YOU NEED TO KNOW

OTHER PRODUCT OPTIONS

	KTC225 Widescreen Dual Desk Clamp		KTC230 Dual Vertical Desk Clamp
	KTC320 Triple Horizontal Desk Clamp		KTC440 Quad Monitor Desk Clamp
	KTC325 Widescreen Triple Horiz. Desk Clamp		KTC445 Widescreen Quad Monitor Desk Clamp

TECHNICAL DRAWINGS



RECOMMENDED ACCESSORIES

	KSA1007 ■ Centris Quick Release Interface
	KTA1001 ■ Array Connector
	KTA1028 ■ 28" (711 mm) Extension Column

For a complete list of monitor mount accessories see page 95.