



# DUAL MONITOR MOUNTS KTG220 □ HORIZONTAL GROMMET ARRAYS

KTG220 = KTA1000 + KTA1014 + KTA220



## FEATURES

- CENTRIS® TECHNOLOGY**  
**PATENTED FEATURE**  
Provides smooth fingertip tilt in all directions using the screen's center of gravity. Screen angle stays set until you decide to readjust.
- ADVANCED DISPLAY MOUNTING**  
Teardrop hole pattern makes mounting the screen quick and easy.
- INDEPENDENT ADJUSTMENT**  
Adjust each screen independently for ergonomic alignment.
- CABLE MANAGEMENT**  
Conceal and protect cables using snap-on covers and cable clip.
- STABLE GROMMET BOLT THROUGH**  
Heavy-duty, solid steel bolting plates and oversized pole for unmatched stability.

## WHAT YOU NEED TO KNOW

### OTHER PRODUCT OPTIONS



**KTG225**  
Widescreen Dual  
Grommet Mount



**KTG230**  
Dual Vertical  
Grommet Mount



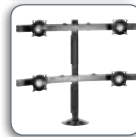
**KTG320**  
Triple Horizontal  
Grommet Mount



**KTG440**  
Quad Monitor  
Grommet Mount



**KTG325**  
Widescreen Triple  
Horiz. Grommet...



**KTG445**  
Widescreen Quad  
Grommet Mount

## SPECIFICATIONS

Pole Height	14" (356 mm)
Max. Width Per Monitor	22.7" (577 mm)
Max. Height Per Monitor	26" (660 mm)
Tilt	±15°
Weight Capacity Per Monitor*	35 lbs (15.9 kg)
Grommet size	0.38 - 3" (10 - 76 mm)
Colors	Black, Silver

\* Weight capacity given for KTG220. See [www.chiefmfg.com](http://www.chiefmfg.com) for more information on other product options.

## RECOMMENDED ACCESSORIES



**KSA1007** ■ Centris Quick  
Release Interface



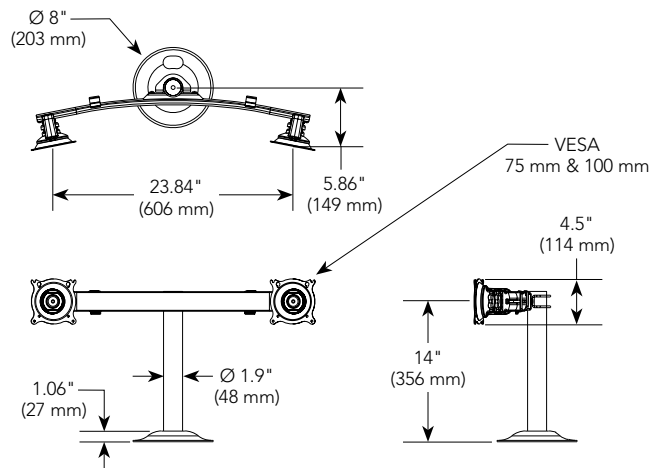
**KTA1001** ■ Array Connector



**KTA1028** ■ 28" (711 mm) Extension  
Column

For a complete list of monitor mount accessories see page 95.

## TECHNICAL DRAWINGS



# KTC220 □ HORIZONTAL DESK CLAMP ARRAYS



KTC220 = KTA1004 + KTA1014 + KTA220

## FEATURES

- 1 CENTRIS® TECHNOLOGY**  
**PATENTED FEATURE**  
Provides smooth fingertip tilt in all directions using the screen's center of gravity. Screen angle stays set until you decide to readjust.
- 2 ADVANCED DISPLAY MOUNTING**  
Teardrop hole pattern makes mounting the screen quick and easy.
- 3 INDEPENDENT ADJUSTMENT**  
Adjust each screen independently for ergonomic alignment.
- 4 CABLE MANAGEMENT**  
Conceal and protect cables using snap-on covers and cable clip.
- 5 STABLE CLAMP**  
Heavy-duty, solid steel desk clamp and oversized pole for unmatched stability.



## SPECIFICATIONS

Pole Height	14" (356 mm)
Max. Width Per Monitor	22.7" (577 mm)
Max. Height Per Monitor	26" (660 mm)
Tilt	±15°
Weight Capacity Per Monitor*	35 lbs (15.9 kg)
Desk Thickness	0 - 3.25" (0 - 83 mm)
Colors	Black, Silver

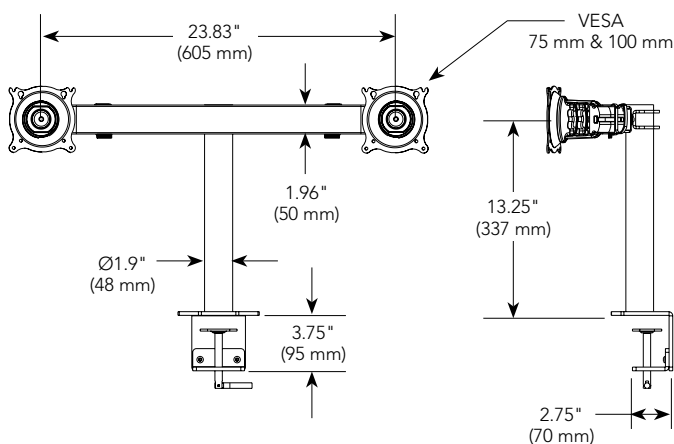
\*Weight capacity given for KTC220. See [www.chiefmfg.com](http://www.chiefmfg.com) for more information on other product options.

## WHAT YOU NEED TO KNOW

### OTHER PRODUCT OPTIONS

	<b>KTC225</b> Widescreen Dual Desk Clamp		<b>KTC230</b> Dual Vertical Desk Clamp
	<b>KTC320</b> Triple Horizontal Desk Clamp		<b>KTC440</b> Quad Monitor Desk Clamp
	<b>KTC325</b> Widescreen Triple Horiz. Desk Clamp		<b>KTC445</b> Widescreen Quad Monitor Desk Clamp

## TECHNICAL DRAWINGS



## RECOMMENDED ACCESSORIES

	<b>KSA1007</b> ■ Centris Quick Release Interface
	<b>KTA1001</b> ■ Array Connector
	<b>KTA1028</b> ■ 28" (711 mm) Extension Column

For a complete list of monitor mount accessories see page 95.



## MULTIPLE MONITOR ACCESSORIES cont.

### KTA1002 Free-Standing Base

- Free-standing base for multi-monitor products
- Use with other KTA accessories for a customized solution



### KTA1003 Array Dual Pole Clamp

- Clamp allows you to attach additional pole to an existing KTP, KTG or KTA accessory
- Use with other KTA accessories for a customized solution



### KTA1004 Desk Clamp Accessory

- Desk clamp for multi-monitor systems or pole mount swing arms
- Desk thickness 0-3.25" (0-83 mm)
- Use with other KTA accessories for a customized solution



### KTA1005 Turn-Tite™ Array Centris® Head Accessory

- Add an additional screen to an existing KTP, KTG or KTA product
- Use with other KTA accessories for a customized solution

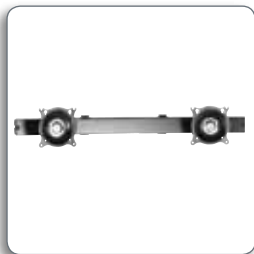
### KTA10XX Extension Columns

- Provides different height options for customized, multiple monitor solutions
- KTA1014 (14" / 356 mm)
- KTA1028 (28" / 711 mm)
- KTA1036 (36" / 914 mm)
- KTA1042 (42" / 106.7 cm)



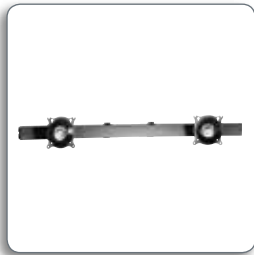
### KTA220 Dual Monitor Pole Accessory

- View two screens (up to 22.7" / 577 mm wide) side-by-side on a pole or other KTA product
- Use with KTP, KTG or other KTA products for a customized solution



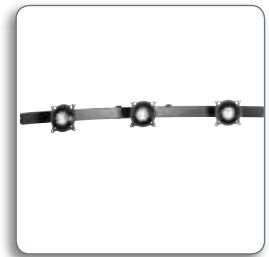
### KTA225 Widescreen Dual Monitor Pole Accessory

- View two screens (up to 30" / 762 mm wide) side-by-side on a pole or other KTA product
- Use with KTP, KTG or other KTA products for a customized solution



### KTA320 Triple Monitor Pole Accessory

- View three screens (up to 18" / 457 mm wide) side-by-side on a pole or other KTA product



### KTA325 Widescreen Triple Monitor Pole Accessory

- 46" (116.8 cm) wide
- View three widescreen monitors (up to 25" / 635 mm wide) side-by-side on a pole or other KTA product



## PERIPHERAL ACCESSORIES

### KRA300 Kontour™ Laptop Tray Accessory

- Holds laptops up to 16" (406 mm) deep
- Compatible with any K1 Series mount
- Weight Capacity: 15 lbs (6.8 kg)



### KSA1021 Keyboard Tray Accessory

- Compatible with height-adjustable arms only
- Maximum keyboard depth: 8" (203 mm)



### FSB1B/FSB12B iPad® Accessory

- FSB1B Securely holds first generation iPads®. FSB12B holds second generation iPads.
- Compatible with Chief F- and K-Series products, excluding dynamic height adjustable arms

