

Ausrack Plus Frame 600mm wide

19 inch frame



✓
EIA-310-D
Compliant

✓
SSI Standards
Compliant

STATIC
1400kg

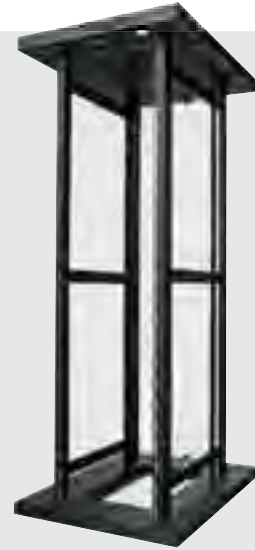
SEISMIC
900kg



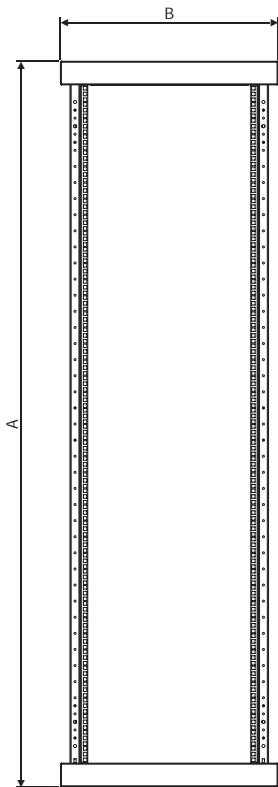
- Designed for complete flexibility in medium to large data room applications.
- Can be configured into suites and clad as per application requirements.
- Features include inset corner posts.
- Manufactured from:
Frame – 1.6mm zinc coated steel
Rail – 2.0mm zinc coated
- Powdercoated textured matte black.

Comes standard with:

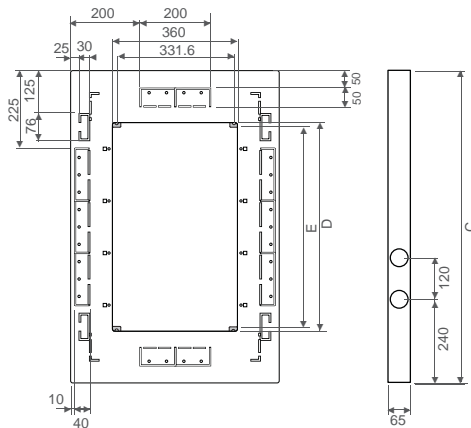
- 4 x RU marked adjustable mounting rails
- Flat top cover (18, 24 & 27RU)
- Gland plates (40, 42, 45, 47 & 48RU)
- Bolt down brackets



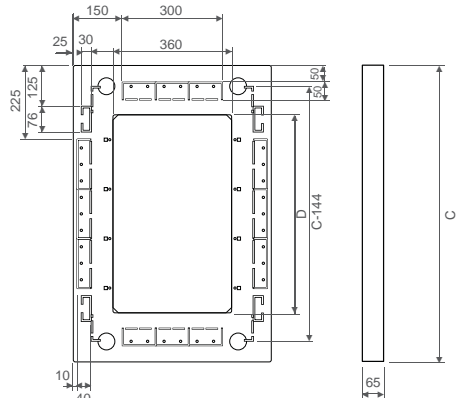
TECHNICAL DRAWINGS



Front View



Bottom View



Top View

Cable Capacity for Cable Entry Points

	Cat5e	Cat6	Cat6e	Cat7	Fibre	Power 10A	Power 15A
Diameter (mm) #	5.6	6.3	8.4	7.6	3	7	8.5
Saturation *	60%	60%	60%	60%	70%	20%	20%
Ausrack Plus 600W side	125	99	56	68	506	27	18
Ausrack Plus front/rear	104	82	47	57	421	23	15
Ausrack Plus 50mm hole	41	33	19	23	166	1	1

These are nominal values for the OD of cable as sizes may vary. B&R Enclosures does not accept liability for any errors within the above table.

* Recommended maximum cable saturation.



For more information
brenclosures.com.au/ausrack-plus-frame.htm

Ausrack Plus Frame 600mm wide

19 inch frame



ORDERING GUIDE

Part Number	RU	Dimensions (mm)					Maximum Rail Depth [^]	Weight (kg)
		Height (A)	Width (B)	Depth (C)	Cable Aperture (D)	Bolt Down (E)		
AF18U606*	18	936	600	600	300	251.1	456	43.0
AF18U608*	18	936	600	800	300	451.1	656	47.0
AF18U609*	18	936	600	900	600	551.1	756	50.5
AF18U610*	18	936	600	1000	600	651.1	856	53.0
AF18U611*	18	936	600	1100	750	751.1	956	55.0
AF18U612*	18	936	600	1200	750	851.1	1056	57.0
AF24U606*	24	1202	600	600	300	251.1	456	47.5
AF24U608*	24	1202	600	800	300	451.1	656	51.5
AF24U609*	24	1202	600	900	600	551.1	756	55.5
AF24U610*	24	1202	600	1000	600	651.1	856	58.5
AF24U611*	24	1202	600	1100	750	751.1	956	61.5
AF24U612*	24	1202	600	1200	750	851.1	1056	64.5
AF27U606*	27	1336	600	600	300	251.1	456	50.0
AF27U608*	27	1336	600	800	300	451.1	656	54.0
AF27U609*	27	1336	600	900	600	551.1	756	58.0
AF27U610*	27	1336	600	1000	600	651.1	856	61.5
AF27U611*	27	1336	600	1100	750	751.1	956	65.0
AF27U612*	27	1336	600	1200	750	851.1	1056	68.5
AF40U606#	40	1913	600	600	300	251.1	456	59.5
AF40U608#	40	1913	600	800	300	451.1	656	64.0
AF40U609#	40	1913	600	900	600	551.1	756	69.0
AF40U610#	40	1913	600	1000	600	651.1	856	74.0
AF40U611#	40	1913	600	1100	750	751.1	956	79.5
AF40U612#	40	1913	600	1200	750	851.1	1056	85.0
AF42U606#	42	2002	600	600	300	251.1	456	62.0
AF42U608#	42	2002	600	800	300	451.1	656	66.0
AF42U609#	42	2002	600	900	600	551.1	756	70.5
AF42U610#	42	2002	600	1000	600	651.1	856	76.0
AF42U611#	42	2002	600	1100	750	751.1	956	82.0
AF42U612#	42	2002	600	1200	750	851.1	1056	88.0
AF45U606#	45	2135	600	600	300	251.1	456	65.0
AF45U608#	45	2135	600	800	300	451.1	656	69.0
AF45U609#	45	2135	600	900	600	551.1	756	73.5
AF45U610#	45	2135	600	1000	600	651.1	856	79.0
AF45U611#	45	2135	600	1100	750	751.1	956	85.0
AF45U612#	45	2135	600	1200	750	851.1	1056	91.0
AF47U606#	47	2225	600	600	300	251.1	456	67.0
AF47U608#	47	2225	600	800	300	451.1	656	71.0
AF47U609#	47	2225	600	900	600	551.1	756	75.5
AF47U610#	47	2225	600	1000	600	651.1	856	81.0
AF47U611#	47	2225	600	1100	750	751.1	956	87.0
AF47U612#	47	2225	600	1200	750	851.1	1056	93.0
AF48U606#	48	2270	600	600	300	251.1	456	68.0
AF48U608#	48	2270	600	800	300	451.1	656	72.0
AF48U609#	48	2270	600	900	600	551.1	756	76.5
AF48U610#	48	2270	600	1000	600	651.1	856	82.0
AF48U611#	48	2270	600	1100	750	751.1	956	88.0
AF48U612#	48	2270	600	1200	750	851.1	1056	94.0

* 18, 24 & 27RU cabinets also supplied with ARTF flat top cover
 # 40, 42, 45, 47 & 48RU cabinets are supplied with gland plates fitted into roof
 ^ The maximum distance between mounting rails

ACCESSORIES QUICK SELECTION

ACCESSORIES	Page No.
Doors	32-34
Top Covers	34
Side Panels	35
Privacy Panels	35
Cable Zones	36
Shelves	42
Cable Trays	42
Fans	43
General & Mounting Accessories	43
Airflow Efficiency Products	50-51
Power Rails	53
Cable Management	54

Ausrack Plus Frame 800mm wide

19 inch frame



✓
EIA-310-D
Compliant

✓
SSI Standards
Compliant

STATIC
1400kg

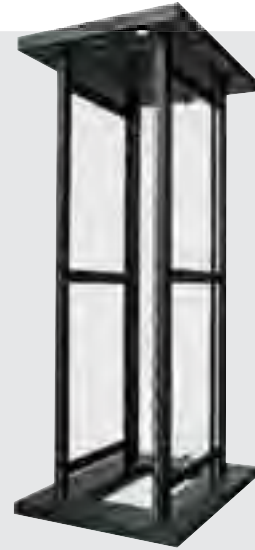
SEISMIC
900kg



- Designed for complete flexibility in medium to large data room applications.
- Can be configured into suites and clad as per application requirements.
- Features include inset corner posts.
- Manufactured from:
Frame – 1.6mm zinc coated steel
Rail – 2.0mm zinc coated
- Powdercoated textured matt black.

Comes standard with:

- 4 x RU marked adjustable mounting rails
- Flat top cover (18, 24 & 27RU)
- Gland plates (40, 42, 45, 47 & 48RU)
- Bolt down brackets

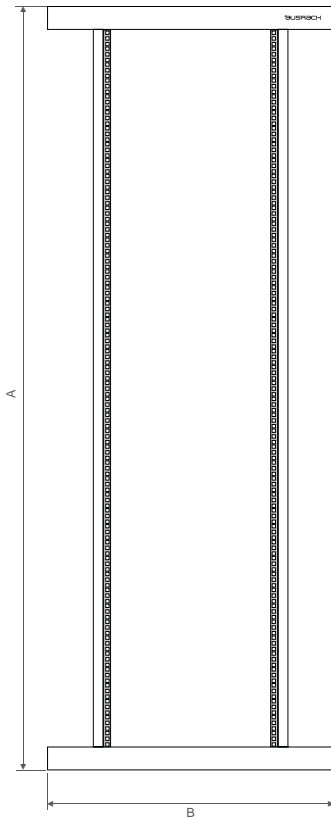


TECHNICAL DRAWINGS

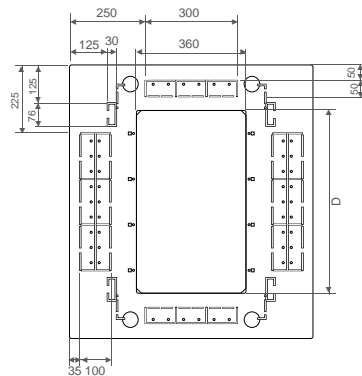
Cable Capacity for Cable Entry Points

	Cat5e	Cat6	Cat6e	Cat7	Fibre	Power 10A	Power 15A
Diameter (mm) #	5.6	6.3	8.4	7.6	3	7	8.5
Saturation *	60%	60%	60%	60%	70%	20%	20%
Cable Entries (per entry)							
Ausrack Plus 600W side	125	99	56	68	506	27	18
Ausrack Plus front/rear	104	82	47	57	421	23	15
Ausrack Plus 50mm hole	41	33	19	23	166	1	1

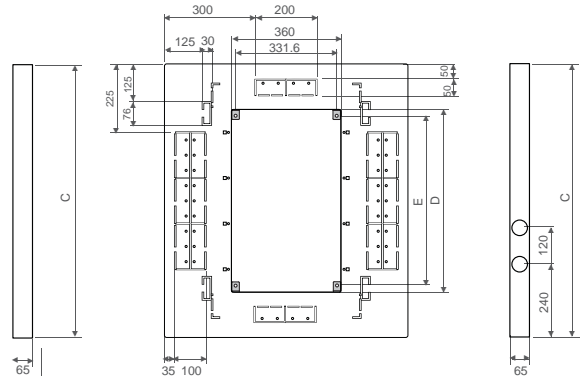
These are nominal values for the OD of cable as sizes may vary. B&R Enclosures does not accept liability for any errors within the above table.
* Recommended maximum cable saturation.



Front View



Top View



Bottom View



For more information
brenclosures.com.au/ausrack-plus-frame.htm

Ausrack Plus Frame 800mm wide

19 inch frame



ORDERING GUIDE

Part Number	RU	Dimensions (mm)					Maximum Rail Depth [^]	Weight (kg)
		Height (A)	Width (B)	Depth (C)	Cable Aperture (D)	Bolt Down (E)		
AF18U806*	18	936	800	600	300	351.1	456	49.0
AF18U808*	18	936	800	800	500	451.1	656	53.0
AF18U809*	18	936	800	900	600	551.1	756	56.5
AF18U810*	18	936	800	1000	700	651.1	856	59.0
AF18U811*	18	936	800	1100	750	751.1	956	61.0
AF18U812*	18	936	800	1200	800	851.1	1056	63.0
AF24U806*	24	1202	800	600	300	351.1	456	53.5
AF24U808*	24	1202	800	800	500	451.1	656	57.5
AF24U809*	24	1202	800	900	600	551.1	756	61.5
AF24U810*	24	1202	800	1000	700	651.1	856	64.5
AF24U811*	24	1202	800	1100	750	751.1	956	67.5
AF24U812*	24	1202	800	1200	800	851.1	1056	70.5
AF27U806*	27	1336	800	600	300	351.1	456	56.0
AF27U808*	27	1336	800	800	500	451.1	656	60.0
AF27U809*	27	1336	800	900	600	551.1	756	64.0
AF27U810*	27	1336	800	1000	700	651.1	856	67.5
AF27U811*	27	1336	800	1100	750	751.1	956	71.0
AF27U812*	27	1336	800	1200	800	851.1	1056	74.5
AF40U806#	40	1913	800	600	300	351.1	456	65.5
AF40U808#	40	1913	800	800	500	451.1	656	70.0
AF40U809#	40	1913	800	900	600	551.1	756	75.0
AF40U810#	40	1913	800	1000	700	651.1	856	80.0
AF40U811#	40	1913	800	1100	750	751.1	956	86.0
AF40U812#	40	1913	800	1200	800	851.1	1056	91.0
AF42U806#	42	2002	800	600	300	351.1	456	68.0
AF42U808#	42	2002	800	800	500	451.1	656	72.0
AF42U809#	42	2002	800	900	600	551.1	756	76.8
AF42U810#	42	2002	800	1000	700	651.1	856	82.0
AF42U811#	42	2002	800	1100	750	751.1	956	88.0
AF42U812#	42	2002	800	1200	800	851.1	1056	94.0
AF45U806#	45	2135	800	600	300	351.1	456	71.0
AF45U808#	45	2135	800	800	500	451.1	656	75.0
AF45U809#	45	2135	800	900	600	551.1	756	79.5
AF45U810#	45	2135	800	1000	700	651.1	856	88.0
AF45U811#	45	2135	800	1100	750	751.1	956	90.0
AF45U812#	45	2135	800	1200	800	851.1	1056	97.0
AF47U806#	47	2225	800	600	300	351.1	456	73.0
AF47U808#	47	2225	800	800	500	451.1	656	77.0
AF47U809#	47	2225	800	900	600	551.1	756	81.5
AF47U810#	47	2225	800	1000	700	651.1	856	87.0
AF47U811#	47	2225	800	1100	750	751.1	956	93.0
AF47U812#	47	2225	800	1200	800	851.1	1056	99.0
AF48U806#	48	2270	800	600	300	351.1	456	74.0
AF48U808#	48	2270	800	800	500	451.1	656	78.0
AF48U809#	48	2270	800	900	600	551.1	756	82.5
AF48U810#	48	2270	800	1000	700	651.1	856	88.0
AF48U811#	48	2270	800	1100	750	751.1	956	94.0
AF48U812#	48	2270	800	1200	800	851.1	1056	100.0

* 18, 24 & 27RU cabinets also supplied with ARTF flat top cover
 # 40, 42, 45, 47 & 48RU cabinets are supplied with gland plates fitted into roof
 ^ The maximum distance between mounting rails

ACCESSORIES QUICK SELECTION

ACCESSORIES	Page No.
Doors	32-34
Top Covers	34
Side Panels	35
Privacy Panels	35
Cable Zones	36
Shelves	42
Cable Trays	42
Fans	43
General & Mounting Accessories	43
Airflow Efficiency Products	50-51
Power Rails	53
Cable Management	54

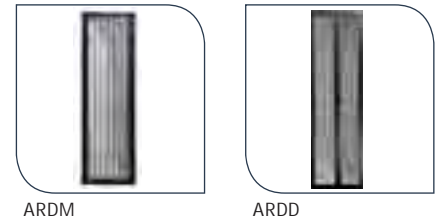
Ausrack Plus Accessories

A range of accessories to suit Ausrack Plus

Mesh Doors

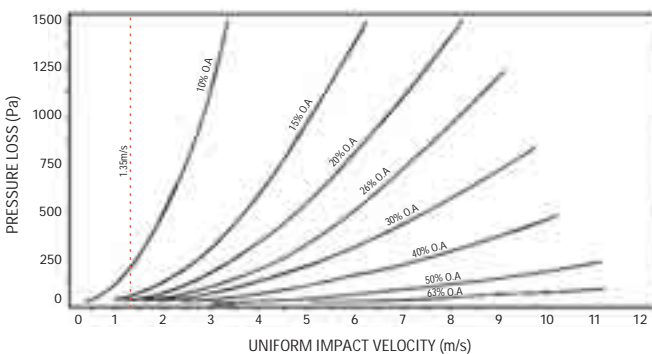
To maximise airflow to the Ausrack Plus data cabinet, all mesh doors consist of 63% open mesh and include a lockable wing knob and two point locking as standard (keyed to 92268). Electronic remote controlled, monitored locking systems, swing handles, custom keying and 3-point locking (ARP3L) available on request.

Part Number	Description	To suit cabinets & frames	
		RU	Width (mm)
ARDM18U06	Mesh steel doors - single (63% open mesh)	18	600
ARDM18U08		18	800
ARDM24U06		24	600
ARDM24U08		24	800
ARDM27U06		27	600
ARDM27U08		27	800
ARDM40U06		40	600
ARDM40U08		40	800
ARDM42U06		42	600
ARDM42U08		42	800
ARDM45U06		45	600
ARDM45U08		45	800
ARDM47U06		47	600
ARDM47U08		47	800
ARDM48U06	48	600	
ARDM48U08	48	800	
ARDD18U06	Mesh steel door - split (63% open mesh)	18	600
ARDD18U08		18	800
ARDD24U06		24	600
ARDD24U08		24	800
ARDD27U06		27	600
ARDD27U08		27	800
ARDD40U06		40	600
ARDD40U08		40	800
ARDD42U06		42	600
ARDD42U08		42	800
ARDD45U06		45	600
ARDD45U08		45	800
ARDD47U06		47	600
ARDD47U08		47	800
ARDD48U06	48	600	
ARDD48U08	48	800	



Pressure Loss vs Impact Velocity For Various Open Area Perforated Plates

Source: Industrial Perforators Association (1993)



Why 63% mesh doors will work for you.

In many applications of mesh doors, the pressure loss through the door is one of the design considerations. In most situations the air impact velocity on the door won't be much over 1.5m/s.

As seen in the graph, B&R's 63% mesh doors will have a negligible pressure drop at these velocities. Most computer room air conditioners generate more than 20Pa of pressure, more than enough to overcome the pressure drop at the door in a containment situation.

For example, in a data centre environment, a 15kW heat load in a 45RU cabinet would require 3500m³/h of airflow. This is equivalent of a 1.35m/s impact velocity. In a containment situation with a positive aisle pressure this will be more than the pressure drop of the doors and the equipment will receive sufficient air flow.

With such a negligible restriction to airflow, the higher percentages available in the market have no real advantage. The 63% mesh was developed as a cross over point of functional performance and higher security.

Ausrack Plus Accessories

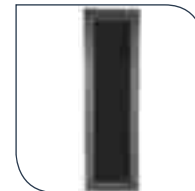
A range of accessories to suit Ausrack Plus



Window Doors

Window doors are available with an acrylic insert panel. An option is also available for venting for airflow. Suitable for all Ausrack Plus data cabinets, all doors include a lockable wing knob and two point locking as standard. (keyed to 92268) Electronic remote controlled, monitored locking systems, swing handles, custom keying and 3-point locking (ARP3L) are available on request.

Part Number	Description	To suit cabinets & frames		
		RU	Width (mm)	
ARDA18U06	Window door, acrylic	18	600	
ARDA18U08		18	800	
ARDA24U06		24	600	
ARDA24U08		24	800	
ARDA27U06		27	600	
ARDA27U08		27	800	
ARDA40U06		40	600	
ARDA40U08		40	800	
ARDA42U06		42	600	
ARDA42U08		42	800	
ARDA45U06		45	600	
ARDA45U08		45	800	
ARDA47U06		47	600	
ARDA47U08		47	800	
ARDA48U06		48	600	
ARDA48U08		48	800	
ARAV18U06		Window door, acrylic – vented	18	600
ARAV18U08			18	800
ARAV24U06			24	600
ARAV24U08			24	800
ARAV27U06	27		600	
ARAV27U08	27		800	
ARAV40U06	40		600	
ARAV40U08	40		800	
ARAV42U06	42		600	
ARAV42U08	42		800	
ARAV45U06	45		600	
ARAV45U08	45		800	
ARAV47U06	47		600	
ARAV47U08	47		800	
ARAV48U06	48		600	
ARAV48U08	48		800	



ARDA



ARAV

Ausrack Plus Accessories

A range of accessories to suit Ausrack Plus

Steel Doors

Suitable for use on all Ausrack Plus data cabinets. All steel doors include a lockable wing knob and two point locking as standard (keyed to 92268). Electronic remote controlled, monitored locking systems, swing handles, custom keying and 3-point locking (ARP3L) are available on request.

Part Number	Description	To suit cabinets & frames		
		RU	Width (mm)	
ARDS18U06	Steel doors – single	18	600	
ARDS18U08		18	800	
ARDS24U06		24	600	
ARDS24U08		24	800	
ARDS27U06		27	600	
ARDS27U08		27	800	
ARDS40U06		40	600	
ARDS40U08		40	800	
ARDS42U06		42	600	
ARDS42U08		42	800	
ARDS45U06		45	600	
ARDS45U08		45	800	
ARDS47U06		47	600	
ARDS47U08		47	800	
ARDS48U06		48	600	
ARDS48U08		48	800	
ARSS24U06		Steel doors – split	24	600
ARSS24U08			24	800
ARSS40U06	40		600	
ARSS40U08	40		800	
ARSS45U06	45		600	
ARSS45U08	45		800	

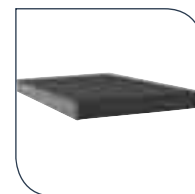


ARDS

Top Covers

Used to enclose the frame's top plinth section. Raised top covers feature ventilation for airflow and can be used in conjunction with fans (see page 43).

Part Number	Type	To suit cabinets & frames	
		RU	Width (mm)
ARTF606	Flat	600	600
ARTF609		600	900
ARTF611		600	1100
ARTF809		800	900
ARTF811		800	1100
ARTR606	Raised	600	600
ARTR609		600	900
ARTR611		600	1100
ARTR809		800	900
ARTR811		800	1100



ARTF



ARTR

Ausrack Plus Accessories

A range of accessories to suit Ausrack Plus



Side Cladding

Side panels include venting and are easy-to-fit using locating pins and slam latches. They can be locked into the frame for added security using either an external key lock kit (ARSPL) or an internal latch kit (ARSFIL).

Privacy Panels are a secure method of providing security to a single cabinet when cabinets are bayed together, by using either a non-removable panel, or a removable set of panels. These panels can also segregate air to ensure no cross cabinet mixing.

Part Number		To suit cabinets & frames	
Side Panels	Privacy Panels	RU	Depth (mm)
ARP18U06		18	600
ARP18U08		18	800
ARP18U09		18	900
ARP18U10		18	1000
ARP18U11		18	1100
ARP18U12		18	1200
ARP24U06		24	600
ARP24U08		24	800
ARP24U09		24	900
ARP24U10		24	1000
ARP24U11		24	1100
ARP24U12		24	1200
ARP27U06		27	600
ARP27U08		27	800
ARP27U09		27	900
ARP27U10		27	1000
ARP27U11		27	1100
ARP27U12		27	1200
ARP40U06	ARPP40U06	40	600
ARP40U08	ARPP40U08	40	800
ARP40U09	ARPP40U09	40	900
ARP40U10	ARPP40U10	40	1000
ARP40U11	ARPP40U11	40	1100
ARP40U12	ARPP40U12	40	1200
ARP42U06	ARPP42U06	42	600
ARP42U08	ARPP42U08	42	800
ARP42U09	ARPP42U09	42	900
ARP42U10	ARPP42U10	42	1000
ARP42U11	ARPP42U11	42	1100
ARP42U12	ARPP42U12	42	1200
ARP45U06	ARPP45U06	45	600
ARP45U08	ARPP45U08	45	800
ARP45U09	ARPP45U09	45	900
ARP45U10	ARPP45U10	45	1000
ARP45U11	ARPP45U11	45	1100
ARP45U12	ARPP45U12	45	1200
ARP47U06	ARPP47U06	47	600
ARP47U08	ARPP47U08	47	800
ARP47U09	ARPP47U09	47	900
ARP47U10	ARPP47U10	47	1000
ARP47U11	ARPP47U11	47	1100
ARP47U12	ARPP47U12	47	1200
ARP48U06	ARPP48U06	48	600
ARP48U08	ARPP48U08	48	800
ARP48U09	ARPP48U09	48	900
ARP48U10	ARPP48U10	48	1000
ARP48U11	ARPP48U11	48	1100
ARP48U12	ARPP48U12	48	1200



ARP



ARPP

Ausrack Plus Accessories

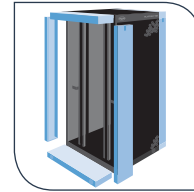
A range of accessories to suit Ausrack Plus

Cable Zones

Designed for mounting onto the side of cabinet optimising accessibility and space available for cabling and cable management products. They can be incorporated into suites and are available for all 40RU and 45RU cabinets and frames. Consist of top and bottom plinths, front and rear cover panels and all fixings required for installation onto the rack.

Part Number	Width (mm)	To suit cabinets & frames	
		RU	Depth (mm)
AC40U06	100	40	600
AC40U09	100	40	900
AC40U11	100	40	1100
AC45U06	100	45	600
AC45U09	100	45	900
AC45U11	100	45	1100
AC45U12	100	45	1200
AC40U206 [▲]	200	40	600
AC40U209	200	40	900
AC40U211	200	40	1100
AC45U206 [▲]	200	45	600
AC45U209	200	45	900
AC45U211	200	45	1100
AC45U212	200	45	1200

[▲] Available on request



Cable Zones