

1.2m TV Stand with 1 Shelf

For more information please visit www.btechavmounts.com/BTF811

BTF811



BTF811

1.2m TV Stand with 1 Shelf

**Designed for LCD, LED and Plasma TVs
up to 50" (127cm) / 20kg (44lbs)**

- Fits screens with VESA® and non-VESA® mounting patterns up to 400 x 400mm
- High gloss and premium finish
- 360° revolving base
- Includes accessory shelf: Max weight: 10kg (22lbs)
- Glass shelf thickness: 8mm
- Concealed cable management
- **Dimensions:**
W: 500mm (19.7") **D:** 500mm (19.7")
H: Min: 1125mm (44.3") Max: 1200mm (47.2")
 (to centre of mount)
- Tempered glass base toughened to meet BS6206A standard
- Available in black and white

VESA
400

50"
127cm

20kg
(44lbs)

10kg
(22lbs)

360°

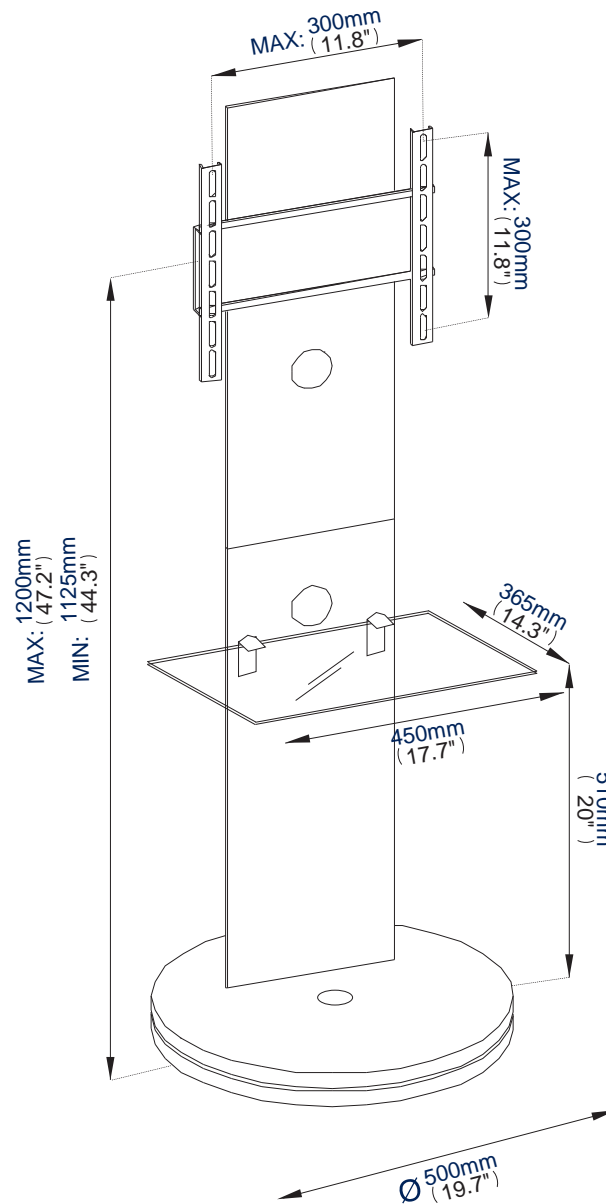
Shelf



1.2m TV Stand with 1 Shelf

For more information please visit www.btechavmounts.com/BTF811

BTF811



Colour:	Order Ref:	EAN Code:	Master Carton Qty:	Inner Carton Qty:	Master Carton Weight:	Master Carton Cube:
Black	BTF811/BB	5019318651090	-	-	23kgs (50.70lbs)	0.210cbm (7.44cuft)
White	BTF811/BW	5019318651106	-	-	23kgs (50.70lbs)	0.210cbm (7.44cuft)

**This information is intended as a guide only and reflects the current specification at the time of print.
B-Tech accepts no liability for the accuracy of the information contained in this document.**