

## 1m TV Stand with 1 Shelf

For more information please visit [www.btechavmounts.com/BTF810](http://www.btechavmounts.com/BTF810)

**BTF810**



### BTF810

#### 1m TV Stand with 1 Shelf

Designed for LCD, LED and Plasma TVs  
up to 60" (152cm) / 35kg (77lbs)

- Fits screens with VESA® and non-VESA® mounting patterns up to 600 x 400mm
- High gloss and premium finish
- 360° revolving base
- Glass shelf thickness: 8mm
- Concealed cable management
- **Dimensions:**  
**W:** 500mm (19.7") **D:** 500mm (19.7")  
**H:** Min: 915mm (36") Max: 965mm (38") (to centre of mount)
- Tempered glass base toughened to meet BS6206A standard
- Pre-assembled
- Available in black and white

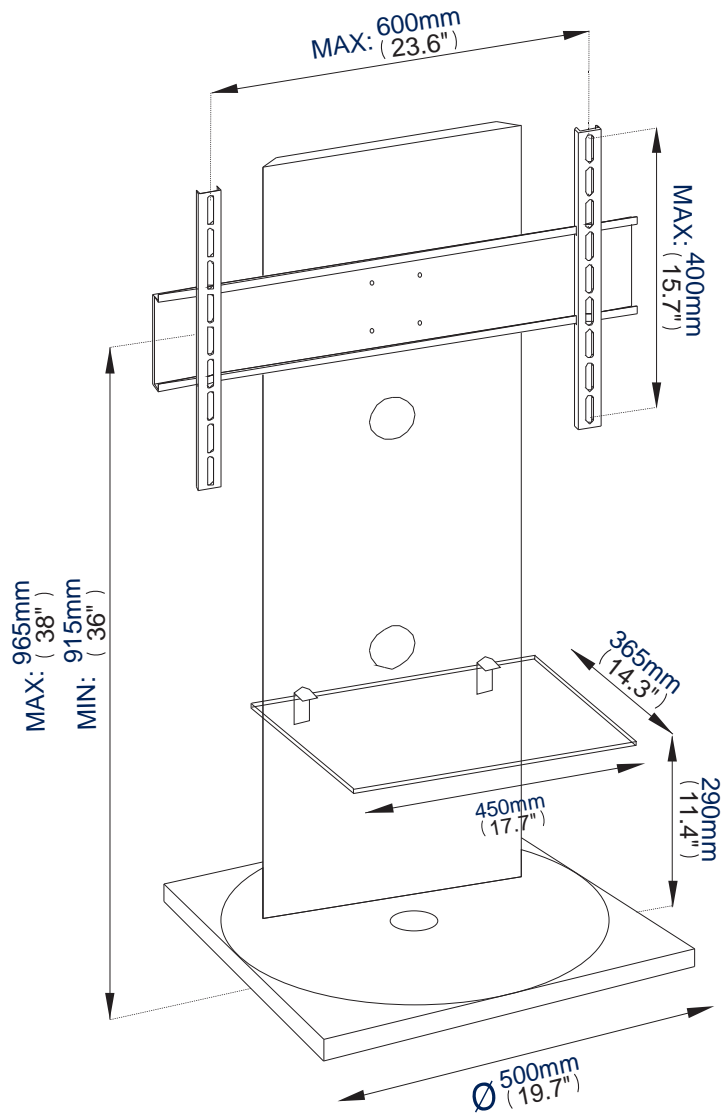
*\*Please note the white version currently features a circular base which is rated for slightly smaller screens: 50" (127cm) / 35kg (77lbs)*



### 1m TV Stand with 1 Shelf

For more information please visit [www.btechavmounts.com/BTF810](http://www.btechavmounts.com/BTF810)

**BTF810**



Colour:	Order Ref:	EAN Code:	Master Carton Qty:	Inner Carton Qty:	Master Carton Weight:	Master Carton Cube:
Black	BTF810/BB	5019318651076	-	-	26kgs (57.32lbs)	0.311cbm (10.98cuft)
White	BTF810/BW	5019318651083	-	-	26kgs (57.32lbs)	0.311cbm (10.98cuft)

**This information is intended as a guide only and reflects the current specification at the time of print. B-Tech accepts no liability for the accuracy of the information contained in this document.**