

DST965



Display size  
**40"-65"**



Max load  
**300lb (136kg)**

**SMARTMOUNT.**

# Back-to-Back Ceiling Mount with Media Player Storage

FOR 40"-65" DISPLAYS

When aesthetics are essential, choose the DST965 from Peerless-AV®. The perfect back-to-back ceiling mount for digital signage applications. Included shelving provides ample storage space for multiple media players, while the side panels hide all wiring and components from view. The Peerless-AV® universal adapter plates accommodate most displays and hold them at an ideal 20 degree viewing angle. Included security hardware deters tampering and theft.

*The DST965 Ceiling Mount with Media Player Storage offers clean and clutter-free storage, hiding cables and media players completely out of view.*



## Additional Features

- ✓ Holds two displays back-to-back at a 20° fixed tilt
- ✓ Removable side panels for easy maintenance
- ✓ Two component shelves provide storage for standard size computers
- ✓ Cables are routed through the column for a clean appearance
- ✓ Comes standard with Peerless-AV® universal mounting brackets
- ✓ Security hardware to deter tampering and loss



Clean profile



Media storage shelves



Patented. Design Patent No. D614,896

info@peerless-av.com  
peerless-av.com

peerless-AV®

**DST965** SmartMount® Back-to-Back Ceiling Mount with Media Player Storage for 40"-65" Displays

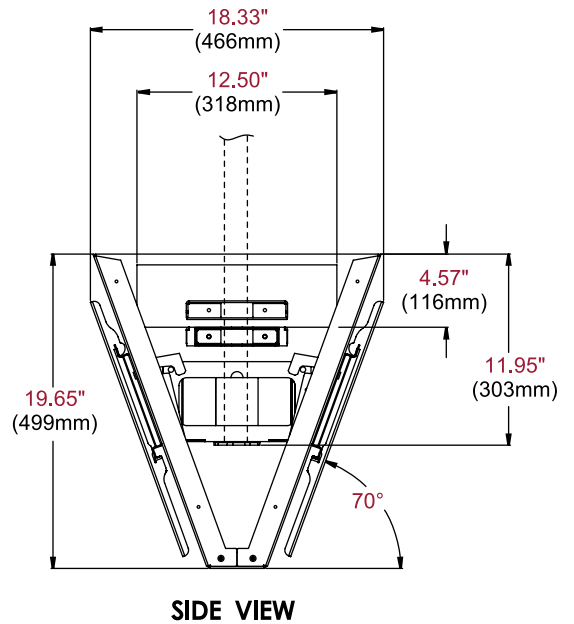
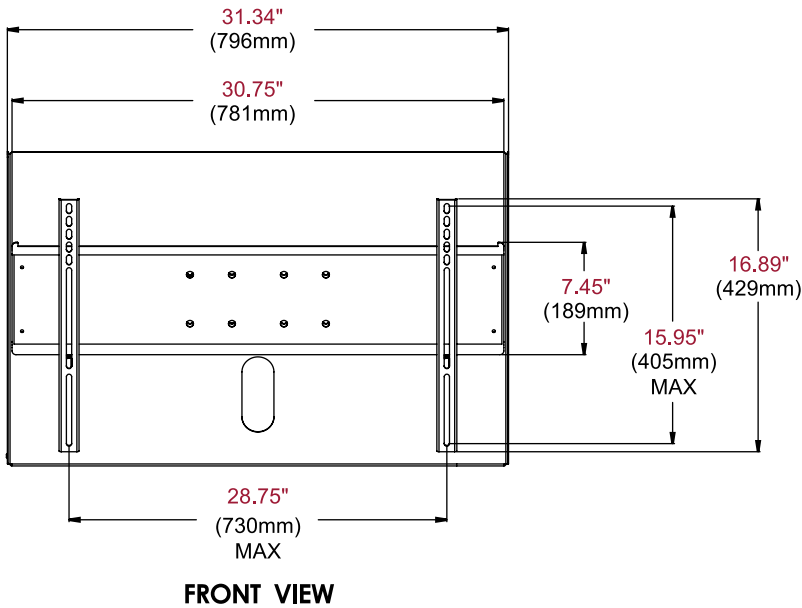
**Product Specifications**

	DIMENSIONS (W X H X D)	PRODUCT WEIGHT	LOAD CAPACITY	FINISH	AVAILABLE COLORS
DST965	31.34" x 19.65" x 18.33" (796 x 499 x 466mm)	80lb (36kg)	300lb (136kg)	Powder Coat	Black

**Package Specifications**

	PACKAGE SIZE (W x H x D)	PACKAGE SHIP WEIGHT	PACKAGE UPC CODE	PACKAGE CONTENTS	UNITS IN PACKAGE
DST965	33.13" x 31.88" x 10.75" (842 x 810 x 273mm)	85lb (39kg)	735029282419	Two universal adapters, two side panels, two shelves and interface bracket	1

All dimensions = inch (mm)



**Architect Specifications**

The Back-to-Back Ceiling Mount with Media Player Storage shall be a Peerless-AV® model DST965 and shall be located where indicated on the plans. It shall feature scratch resistant black fused epoxy finish. Assembly and installation shall be done according to instructions provided by the manufacturer.

Visit [peerless-av.com](http://peerless-av.com) to see the complete line of AV solutions from Peerless-AV, including outdoor displays, wireless, kiosks, digital audio, display mounts, projector mounts, carts/stands, and a full assortment of accessories.

**Peerless-AV**  
2300 White Oak Circle  
Aurora, IL 60502 USA  
**(800) 865-2112**  
**(630) 375-5100**  
**Fax: (800) 359-6500**

**Peerless-AV Europe**  
Unit 3 Watford Interchange  
Colonial Way, Watford  
Herts, WD24 4WP  
United Kingdom  
**+44 (0) 1923 200100**  
**Fax: +44 (0) 1923 200101**

**Peerless-AV de México**  
Ave de las Industrias 413  
Parque Industrial Escobedo  
Escobedo, N.L.,  
Mexico 66050  
**+52 (81) 8384-8300**  
**Fax: +52 (81) 8384-8360**

