

Outdoor Dome Cameras

www.boschsecurity.com



BOSCH

Invented for life



Advantage Line

The VDX-240 Outdoor Dome range comes in robust, conduit compatible, all-weather housings (IP66 rated) and provides high-resolution images (570TVL Sensor Resolution).

The color version provides crisp, clear images in applications with sufficient lighting. The day/night version switches to monochrome mode with a higher light sensitivity when there is insufficient lighting. For applications requiring extra lighting, the infrared version has 20 on-board IR LEDs providing 20 meters of night vision.

Features

- ▶ Excellent resolution (570 TVL sensor resolution)
- ▶ Three versions for all lighting environments
- ▶ Flexible viewing field
- ▶ Easy setup
- ▶ Secure all-weather installation

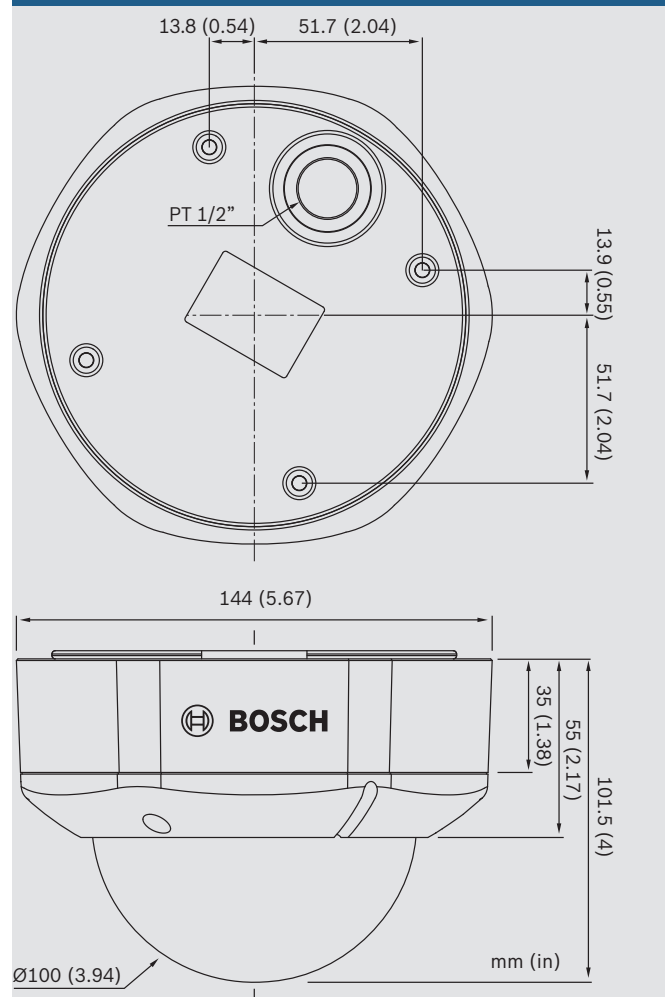
2 | Outdoor Dome Cameras

Technical specifications

Video	
CCD Camera	1/3-inch High Sensitivity CCD
Effective pixels (HxV)	752X582 (PAL) 768x494 (NTSC)
Horizontal Resolution	570 TVL Sensor Resolution
Electronics Iris	1/50 to 1/120,000 s (PAL) 1/60 to 1/120,000 s (NTSC)
Manual shutter	1/50 (1/60), 1/100 (1/120), 1/250, 1/500, 1/700, 1/1K, 1/1.6k, 1/2.5K, 1/5K, 1/7K 1/10K, 1/30K, 1/60K, 1/120K
Output Signal	1 VPP composite video, 75 ohm
Output connection	BNC connector
S/N Ratio	Greater than 50 dB
Gamma	0.35, 0.45 (default), 0.6, 0.75
Lens (VDC-240)	2.8 to 10.5 mm varifocal auto-iris
Lens (VDN-240)	2.8 to 10.5 mm varifocal auto-iris with mechanical D/N filter
Lens (VDI-240)	3.8 to 9.5 mm varifocal auto-iris with mechanical D/N filter
Sensitivity	0.05 lx (color), 0.005 lx (b/w), 0 lx (infrared on)
VDI-240	
LEDs	Intelligent 20-LED infrared array
Wavelength	850 nm
Mechanical	
Housing	Surface mount dome, vandal resistant
Gimbals	3D gimbal for easy installation
Construction	Robust aluminum
Finish	Off-white
Conduit Compatible	1/2-inch PT, top and side
Electrical	
Power Consumption	VDC-240: 3.6 W max. VDN-240: 3.6 W max. VDI-240: 6 W max. VDI-240 (with heater): 17.5 W max.
Voltage	12 VDC or 24 VAC
Power Supply	Not included
Environmental	
Operational Temp.	-10 °C to +50 °C (14 °F to +122 °F)
Operational Temp. (VDI-240 with heater)	-30 °C to +50 °C (-22 °F to +122 °F)
Storage Temp.	-20 °C to +60 °C (-4 °F to +140 °F)
Environment	IP66 certified
Certifications and approvals	
Region	Certification
Europe	CE CE Heater version
Standards	
	ANSI C63.4: 2009
	FCC Part 15 subpart B, Class A
	UL 60065, 7th Edition, 2007-12-11
	CAN/CSA-C22.2 No. 60065-03, 1st Edition,

	2006-04 + A1:2006
	EN55022:2006, Class A
	EN50130-4:1995+A1:1998+A2:2003
	LVD 2006/95/EC
	EN60065:2002 + A1:2006 + A11:2008
	IP66, IEC 60529 (2001), IEC 60529 (2002)

Installation/configuration notes



Ordering information

VDC-240V03-1 Outdoor Color Dome Camera, PAL	VDC-240V03-1
VDC-240V03-2 Outdoor Color Dome Camera, NTSC	VDC-240V03-2
VDN-240V03-1 Outdoor D/N Dome Camera, PAL	VDN-240V03-1
VDN-240V03-2 Outdoor D/N Dome Camera, NTSC	VDN-240V03-2
VDI-240V03-1 Outdoor IR D/N Dome Camera, PAL	VDI-240V03-1
VDI-240V03-2 Outdoor IR D/N Dome Camera, NTSC	VDI-240V03-2
VDI-240V03-1H Outdoor IR D/N Dome Camera, PAL, Heater	VDI-240V03-1H
VDI-240V03-2H Outdoor IR D/N Dome Camera, NTSC, Heater	VDI-240V03-2H
Accessories	
VDA-WMT-AODOME Outdoor Wall Mount	VDA-WMT-AODOME

VDA-PMT-AODOME Outdoor Pipe Mount	VDA-PMT-AODOME
VDA-POMT-PTZDOME Pole Mount Adapter for AUTODOME 4000 / 5000	VDA-POMT-PTZDOME

Represented by:**Americas:**

Bosch Security Systems, Inc.
130 Perinton Parkway
Fairport, New York, 14450, USA
Phone: +1 800 289 0096
Fax: +1 585 223 9180
security.sales@us.bosch.com
www.boschsecurity.us

Europe, Middle East, Africa:

Bosch Security Systems B.V.
P.O. Box 80002
5617 BA Eindhoven, The Netherlands
Phone: + 31 40 2577 284
Fax: +31 40 2577 330
emea.securitysystems@bosch.com
www.boschsecurity.com

Asia-Pacific:

Robert Bosch (SEA) Pte Ltd, Security Systems
11 Bishan Street 21
Singapore 573943
Phone: +65 6571 2808
Fax: +65 6571 2699
apr.securitysystems@bosch.com
www.boschsecurity.asia

China:

Bosch (Shanghai) Security Systems Ltd.
203 Building, No. 333 Fuquan Road
North IBP
Changning District, Shanghai
200335 China
Phone +86 21 22181111
Fax: +86 21 22182398
www.boschsecurity.com.cn

America Latina:

Robert Bosch Ltda Security Systems Division
Via Anhanguera, Km 98
CEP 13065-900
Campinas, Sao Paulo, Brazil
Phone: +55 19 2103 2860
Fax: +55 19 2103 2862
latam.boschsecurity@bosch.com
www.boschsecurity.com