

# VDA-455SMB-IP Surface Mount Box

www.boschsecurity.com



**BOSCH**  
Invented for life

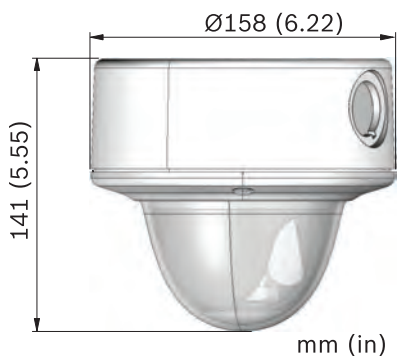


- ▶ Sturdy construction
- ▶ Easy installation

## Certifications and approvals

Region	Certification
Europe	CE accessories

## Installation/configuration notes



## Parts included

The packaging contains:

	Item
1x	Mount
	Attachment components

## Technical specifications

Construction material	Aluminum alloy
Finish	RAL 9003 signal white

## Ordering information

**VDA-455SMB-IP Surface Mount Box**  
Surface Mount Box for dome cameras; IP version  
Order number **VDA-455SMB-IP**