

TORK[®]

SPECIFICATION SHEET

EWZ201C SERIES

2 Channel Astronomic Time Switch



Project Info:	Type:
Job Ref:	Catalog Number:
Approvals:	Date:

APPLICATIONS

- Outdoor signs.
- Lighting security.
- Heating and air conditioning.

FEATURES

- **Three Contact Settings:**
 - Two- Channel: Factory default operates with two independent SPST contacts.
 - Double Pole Option: Software allows option for single channel DPST setting.
 - Momentary Option: For mechanically held contractors: Configure with simple jumper change for single channel momentary operation.
- **Scheduling:** 32 ON & OFF set points for individual programs for each day of the week. Minimum setting is 1 minute.
- **Block Holiday:** 20 holiday blocks can be set for individual days or for duration of any number of days.
- **Daylight Saving:** Automatic (can be omitted).
- **Leap Year:** Automatic Compensation.
- **Manual Override:** Until the next regularly scheduled ON or OFF, automatic operation then resumes.
- **Clock Format:** AM/PM.
- **Power Outage Backup:** Permanent schedule retention. Supercapacitor provides 4 days of real time backup.
- **Enhanced Switching:** Inrush current limiting technology protects relay contacts for extended life with zero cross switching. Rated for LED lighting drivers and electronic ballasts.

SPECIFICATIONS

- **Timing Accuracy:** Line Frequency.
- **Input Voltage:** 120 - 277VAC, 50/60Hz (automatic detection).
- **Terminal Range:** #8 - #16AWG.
- **Operating Temperature:** -40 °F to 149 °F (-40 °C to 65 °C).
- **Power Consumption:** 6VA Max.
- **Enclosure:** Polycarbonate Indoor/Outdoor NEMA 3R is standard with lockable hasp. Suffix -MB without enclosure and includes mounting bracket.

CONTACT RATINGS

- **Resistive:** 120-277VAC 30A, 28VDC 30A.
- **Ballast:** 120VAC 30A, 208-277VAC 20A
- **Electronic Ballast/LED:** 120-277VAC 15A
- **Tungsten:** 120VAC 15A
- **Pilot Duty:** 120-277VAC 720VA
- **Motor:** 120VAC 1HP, 208VAC 1½HP, 240-277VAC 2HP.



ORDERING INFO

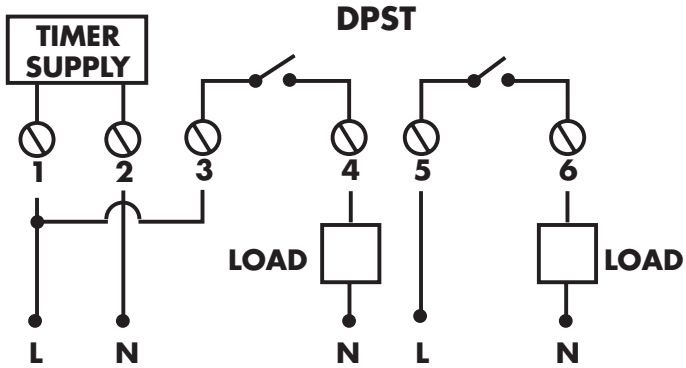
CAT. NO.	UPC CODE	INPUT SUPPLY (VAC) 50/60Hz	NO. OF CHANNELS	OUTPUT DRY CONTACTS
EWZ201C	82451	120-277	1	DPST
			2	SPST
EWZ201C-MB	82453	120-277	1	DPST
			2	SPST

TORK[®]

SPECIFICATION SHEET

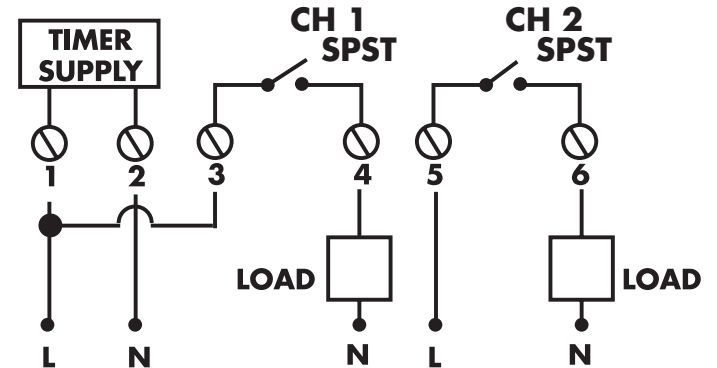
WIRING DIAGRAMS

EWZ103

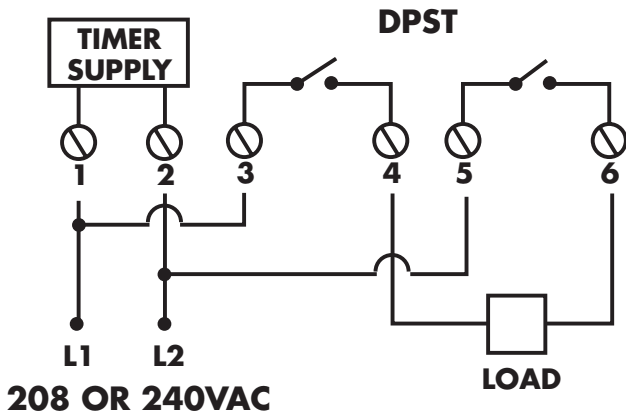


120/277VAC

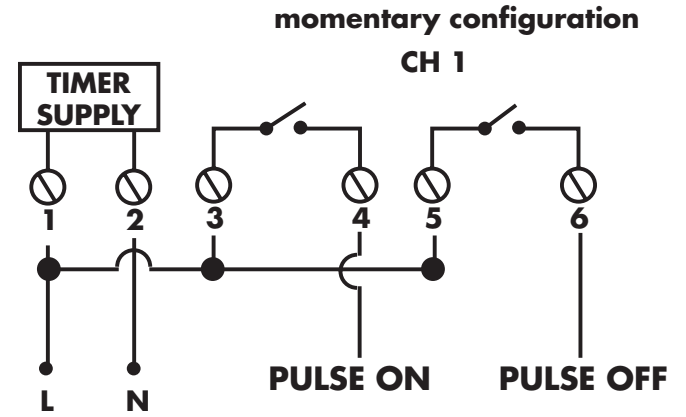
EWZ201



120/277VAC



208 OR 240VAC



120/277VAC

EWZ201 ONLY: UNIT MUST BE CONFIGURED FOR MOMENTARY OPTION