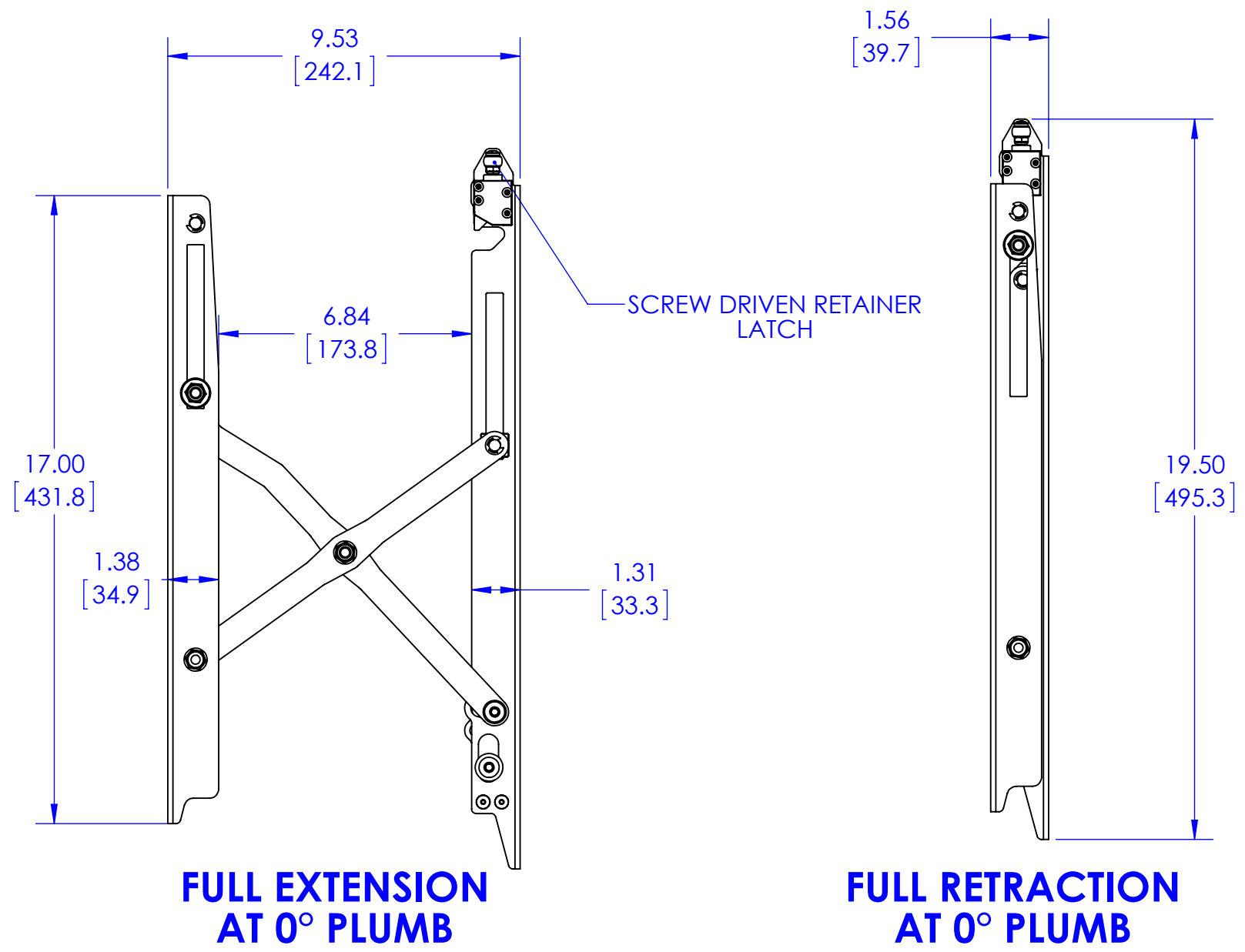
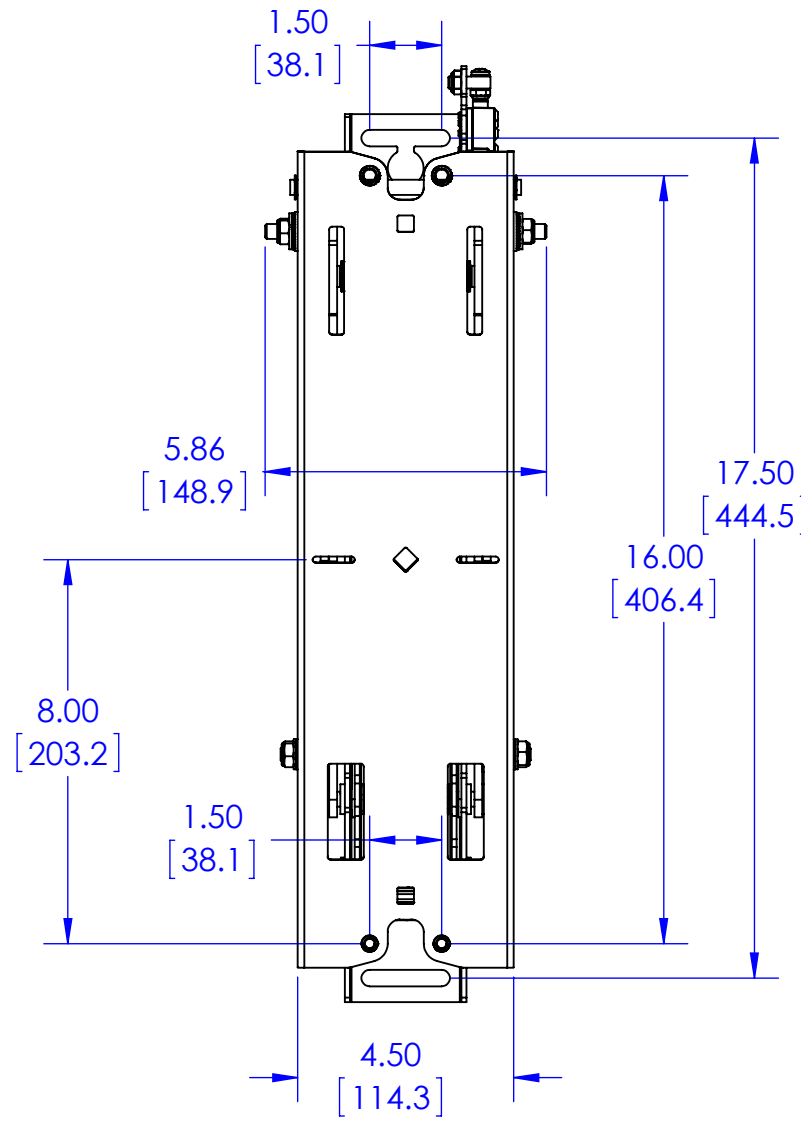
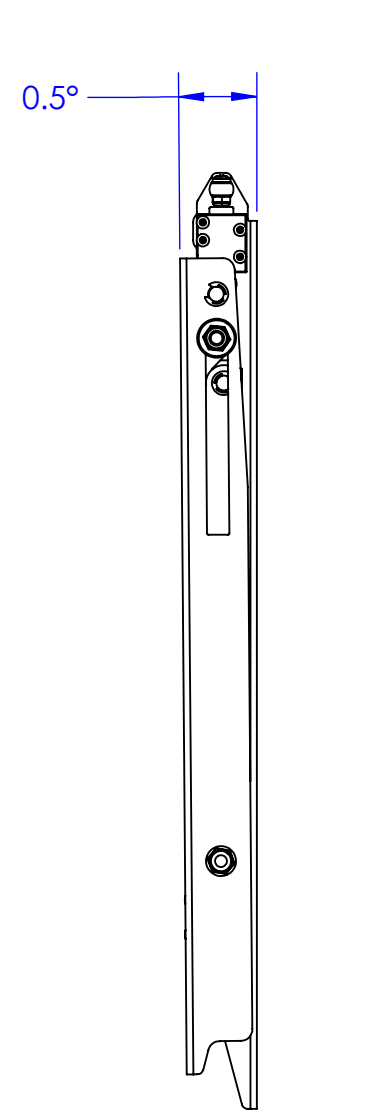


FCAV1U INCLUDES TWO ASSEMBLIES

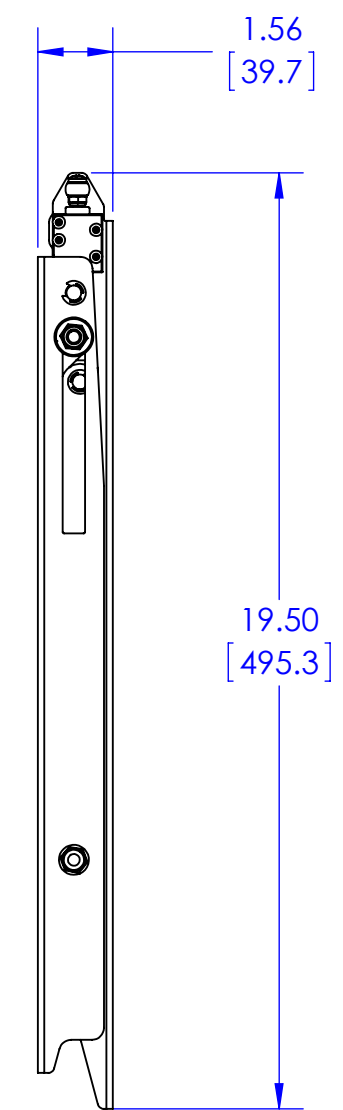


THE INFORMATION AND DESIGNS CONTAINED IN THIS DRAWING ARE CONFIDENTIAL AND THE PROPRIETARY PROPERTY OF MILESTONE AV TECHNOLOGIES NEITHER THIS DESIGN NOR ANY INFORMATION CONTAINED IN THIS DRAWING MAY BE REPRODUCED OR DISCLOSED TO OTHERS WITHOUT THE EXPRESS WRITTEN CONSENT OF MILESTONE AV TECHNOLOGIES.

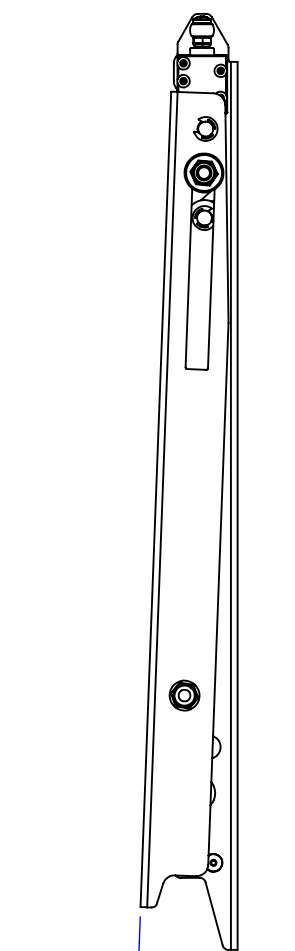
CAD GENERATED DRAWING, DO NOT MANUALLY UPDATE.			<p>6436 CITY WEST PKWY EDEN PRAIRIE MN, 55344 PHONE: 866-977-3901 FAX: 877-894-6918</p>
DRAWN BY	JAB	7/22/2014	
ENG APPROVAL			DESCRIPTION FUSION MOUNT PULLOUT ACCESSORY
MFG APPROVAL			
QA APPROVAL			
SHEET 1 OF 3			MODEL NO. FCAV1U
SCALE	1:8	SIZE	DWG. NO. TECH-000708
			REV. 00



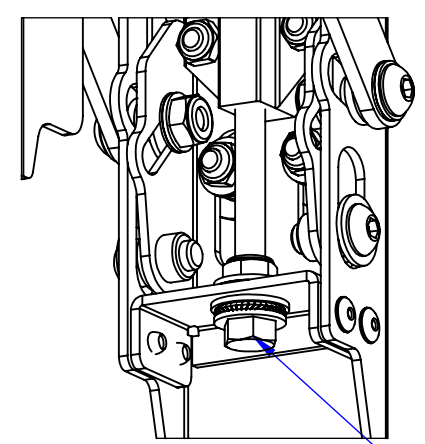
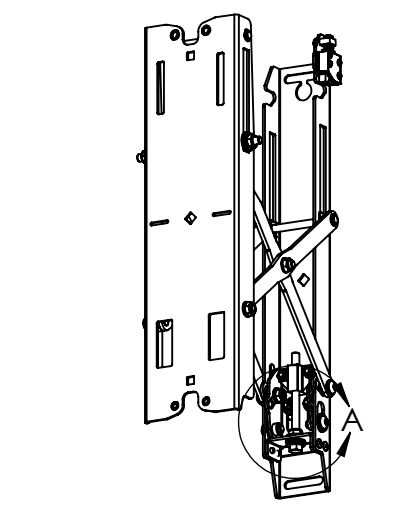
**MAX DOWN
PLUMB**



**PLUMB
AT 0°**



**MAX UP
PLUMB**

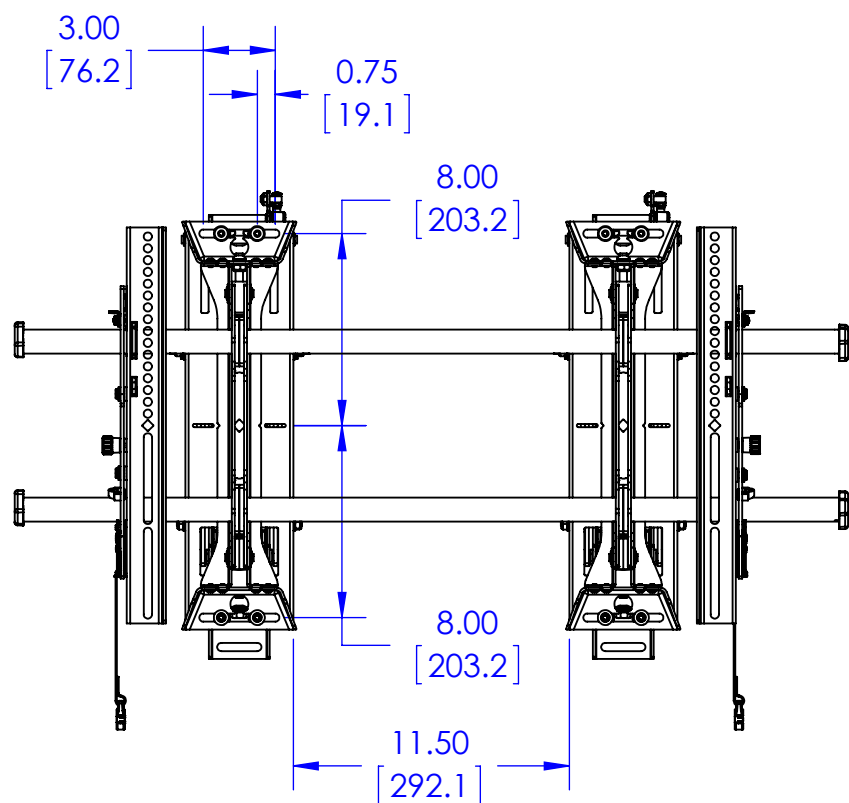


**DETAIL A
SCALE 1 : 2** — PLUMB ADJUST

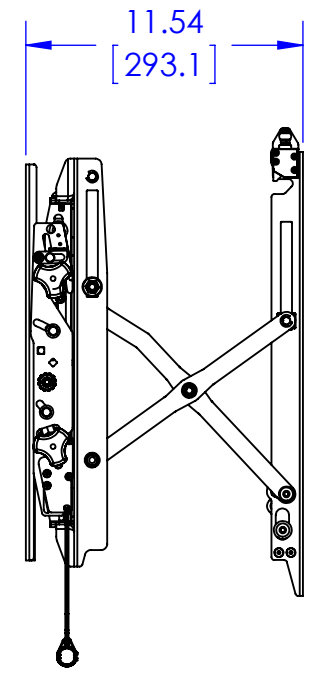
THE INFORMATION AND DESIGNS CONTAINED IN THIS DRAWING ARE CONFIDENTIAL AND THE PROPRIETARY PROPERTY OF MILESTONE AV TECHNOLOGIES NEITHER THIS DESIGN NOR ANY INFORMATION CONTAINED IN THIS DRAWING MAY BE REPRODUCED OR DISCLOSED TO OTHERS WITHOUT THE EXPRESS WRITTEN CONSENT OF MILESTONE AV TECHNOLOGIES.

CAD GENERATED DRAWING, DO NOT MANUALLY UPDATE.			CHIEF 6436 CITY WEST PKWY EDEN PRAIRIE MN, 55344 PHONE: 866-977-3901 FAX: 877-894-6918	
DRAWN BY	JAB	7/22/2014	DESCRIPTION FUSION MOUNT PULLOUT ACCESSORY	
ENG APPROVAL			MODEL NO. FCAV1U	
MFG APPROVAL			SIZE	DWG. NO. B TECH-000708
QA APPROVAL			SHEET 2 OF 3	SCALE 1:8
				REV. 00

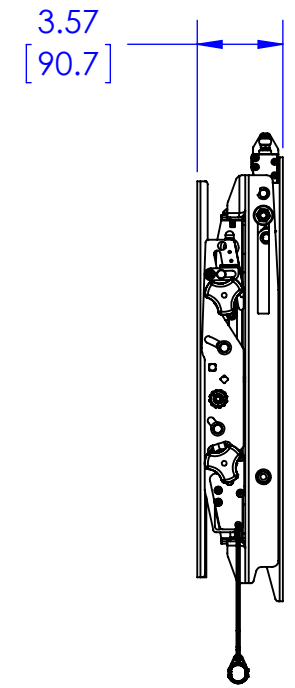
**SHOWN WITH LATERAL SHIFT
ON CENTER**



**FULL EXTENSION
AT 0° PLUMB
WITH LTM1U
(SOLD SEPARATELY)**



**FULL RETRACTION
AT 0° PLUMB
WITH LTM1U
(SOLD SEPARATELY)**



THE INFORMATION AND DESIGNS CONTAINED IN THIS DRAWING ARE CONFIDENTIAL AND THE PROPRIETARY PROPERTY OF MILESTONE AV TECHNOLOGIES NEITHER THIS DESIGN NOR ANY INFORMATION CONTAINED IN THIS DRAWING MAY BE REPRODUCED OR DISCLOSED TO OTHERS WITHOUT THE EXPRESS WRITTEN CONSENT OF MILESTONE AV TECHNOLOGIES.

CAD GENERATED DRAWING, DO NOT MANUALLY UPDATE.		6436 CITY WEST PKWY EDEN PRAIRIE MN, 55344 PHONE: 866-977-3901 FAX: 877-894-6918
DRAWN BY	JAB 7/22/2014	
ENG APPROVAL		DESCRIPTION FUSION MOUNT PULLOUT ACCESSORY
MFG APPROVAL		MODEL NO. FCAV1U
QA APPROVAL		SIZE DWG. NO. REV. B TECH-000708 00
SHEET 3 OF 3		SCALE 1:8