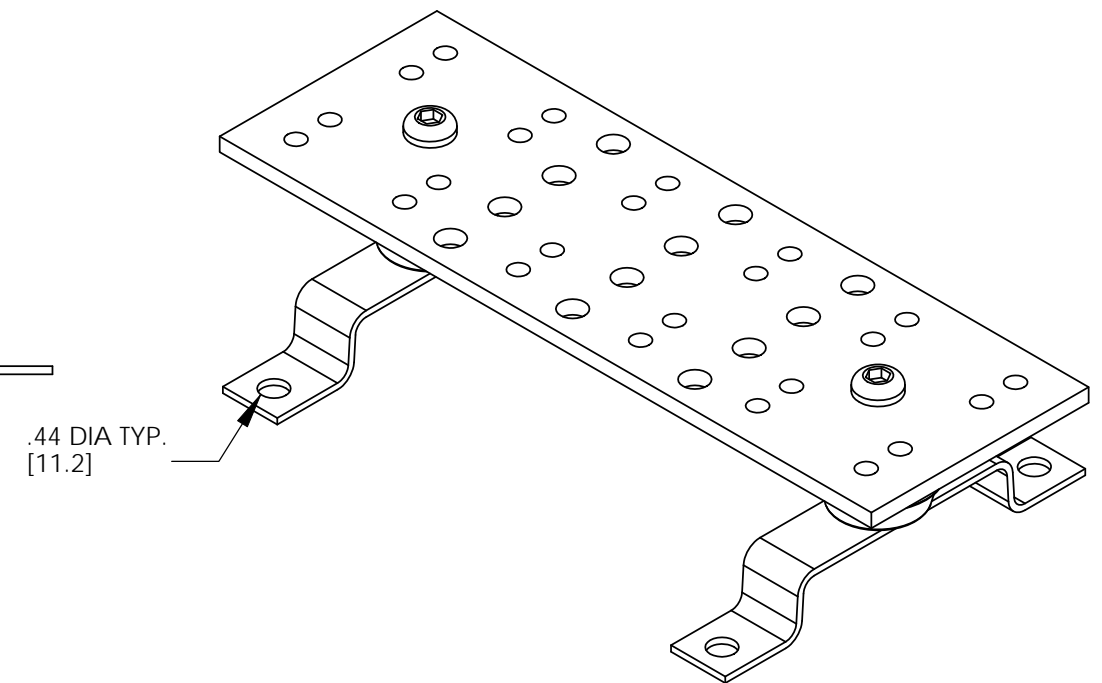
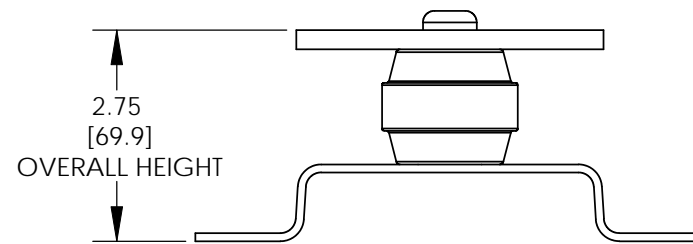
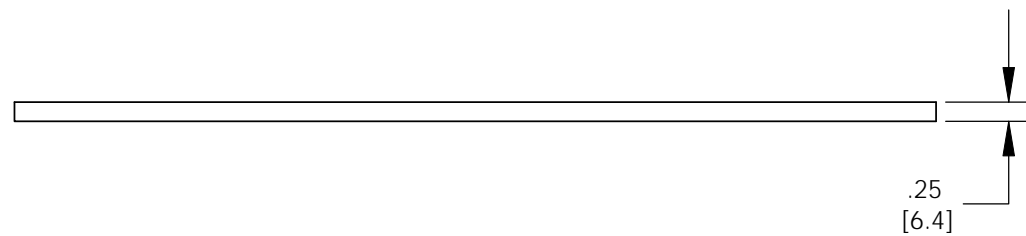
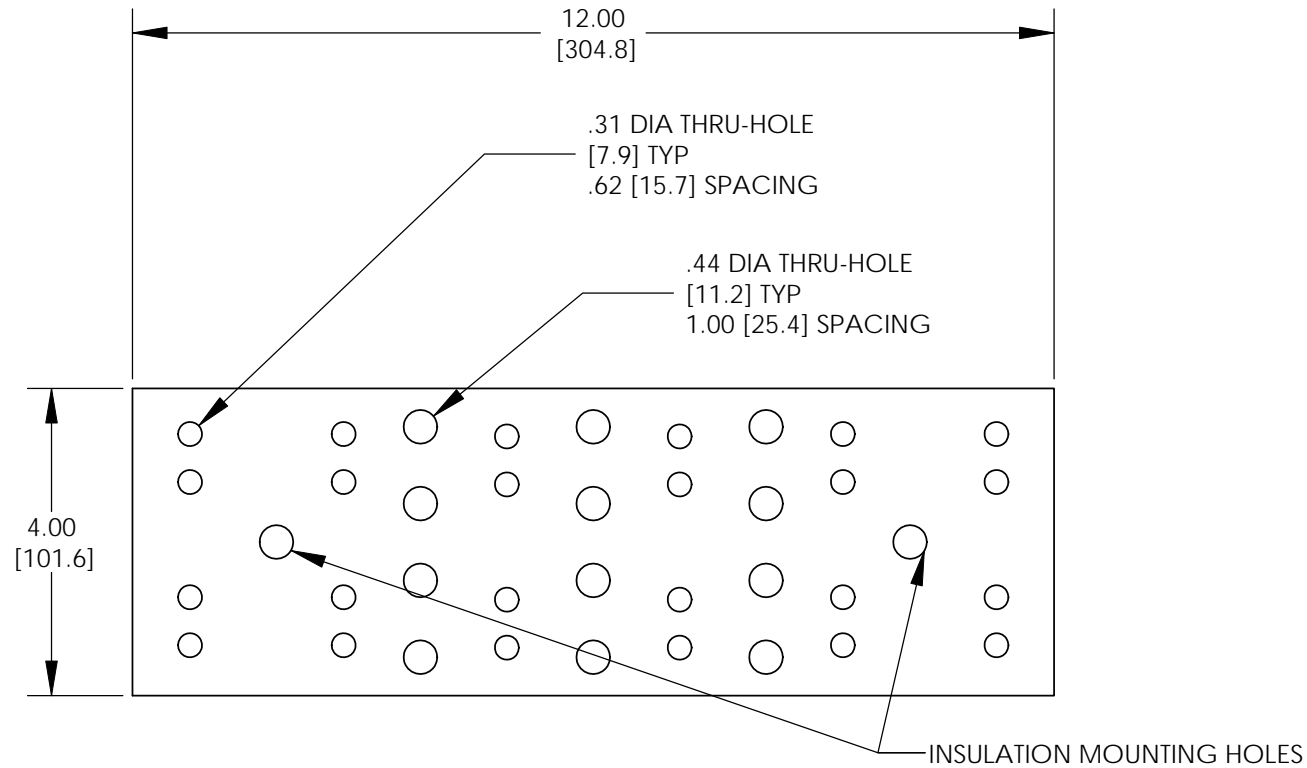


THIS COPY IS PROVIDED ON A RESTRICTED BASIS AND IS NOT TO BE USED IN ANY WAY DETRIMENTAL TO THE INTERESTS OF PANDUIT CORP.



ASSEMBLED AS SHOWN

NOTES:

1. KIT COMES FULLY ASSEMBLED
2. KIT INCLUDES BUSBAR, MOUNTING BRACKETS, INSULATORS, AND MOUNTING HARDWARE.
3. MEETS BICSI/J-STD-607-A
4. DIMENSIONS IN PARENTHESIS ARE MILLIMETERS.



05	12/10	JHNU	JHNU	REVISED AGENCY LOGO	N41502BA-C41502	FLD	FLD
04	2/09	JHNU	JHNU	REVISED BUSBAR HOLE PATTERN			
03	11/08	JHNU	JHNU	REVISED DRAWING LAYOUT, REMVOED BRACKET VIEWS			
---	-----	----	----	CONVERTED DRAWING TO SOLIDWORKS REVISED BUSBAR BRACKET GEOMETRY			
02	11/08	JHNU	DWDA	REVISED DRAWING TO CURRENT STANDARD			
---	-----	----	----	REVISED HEIGHT DIMENSION: 1.00 WAS 1.50 ADDED NOTE 3			
01	9/06	JHNU	LEM	ADDED OVERALL HEIGHT DIMENSION TO ISO VIEW			
00	2/05	JHNU	LEM	DRAWING RELEASED			
REV	DATE	BY	CHK	DESCRIPTION	ECN	-R	SUP

**PANDUIT CORP.** TINLEY PARK, ILLINOIS

GROUNDING BUSBAR  
(GB4B0612TPI)  
CUSTOMER DRAWING

UNLESS OTHERWISE SPECIFIED  
DIMENSIONAL TOLERANCES ARE:  
(.X) ±      (.XXX) ±  
(.XX) ±     ANGLES ±

UNLESS OTHERWISE SPECIFIED,  
ALL DIMENSIONS ARE GIVEN IN  
INCHES, THIRD ANGLE PROJECTION

DRAWN BY  
JHNU  
DATE  
2/05  
CHK'D

MAT'L:

SCALE NONE

DRAWING NO / CAD FILE  
C41502\_05  
DWG  
B  
SIZE