

TX6™ PLUS Category 6 UTP Modular Plug

specifications

Category 6/Class E, 8-position, 8-wire, UTP modular plug shall terminate Panduit 4-pair, 23-24 AWG, 100 ohm, solid or stranded unshielded twisted pair patch cable with maximum conductor insulation diameter of 0.042 in. (1.07mm) and maximum jacket diameter of 0.250 in. (6.35mm).



technical information

Category 6/Class E component performance:	Exceeds ANSI/TIA Category 6 and ISO Class E performance requirements when properly terminated to Panduit Category 6 UTP copper cable
Cable jacket diameter range:	0.225 (5.72mm) – 0.250 in. (6.35mm)
Conductor insulation diameter range:	0.036 (0.91mm) – 0.042 in. (1.07mm)
FCC and ANSI compliance:	Meets ANSI/TIA-1096-A (formerly FCC Part 68)
IEC compliance:	IEC-60603-7
PoE compliance:	Supports PoE, PoE+, and proposed Type 3 and 4 PoE++ applications for up to 100 W
Safety compliance:	cULus Listed; UL 1863 and CAN/CSA-C22.2 (UL File E129886)
RoHS compliance:	Compliant
Conductor termination:	Compatible with Panduit 23-24 AWG solid or stranded Category 6 UTP patch cable
Plug Housing:	UL94V-0 rated clear Polycarbonate
Contacts:	Gold plated phosphor bronze
Operating temperature:	14°F to 140°F (-10°C to 60°C)
Storage temperature:	-40°F to 158°F (-40°C to 70°C)

key features and benefits

Patented tangle-free latch:	Prevents snags and provides easy release, saving time and providing reliability on frequent moves, adds, and changes
Robust construction	Rated to 2500 mating cycles

applications

Category 6 plugs allow customers to meet performance requirements in ISO 11801 Class E, IEEE 802.3an-2006 and ANSI/TIA-568-C.2 Category 6 standards to support transmission at speeds up to and including 1000BASE-T. These plugs can be

used in applications such as high performance workstations, 155 Mb/s ATM, 622 Mb/s ATM, 1.2 Gb/s ATM, Token Ring 4/16, digital video and broadband/baseband analog video, and Voice over IP.

Category 6 UTP Modular Plug

100/pack: SP688-C

Tools and Accessories

Termination tool: CSPT

Crimp tool: MPT5-8AS

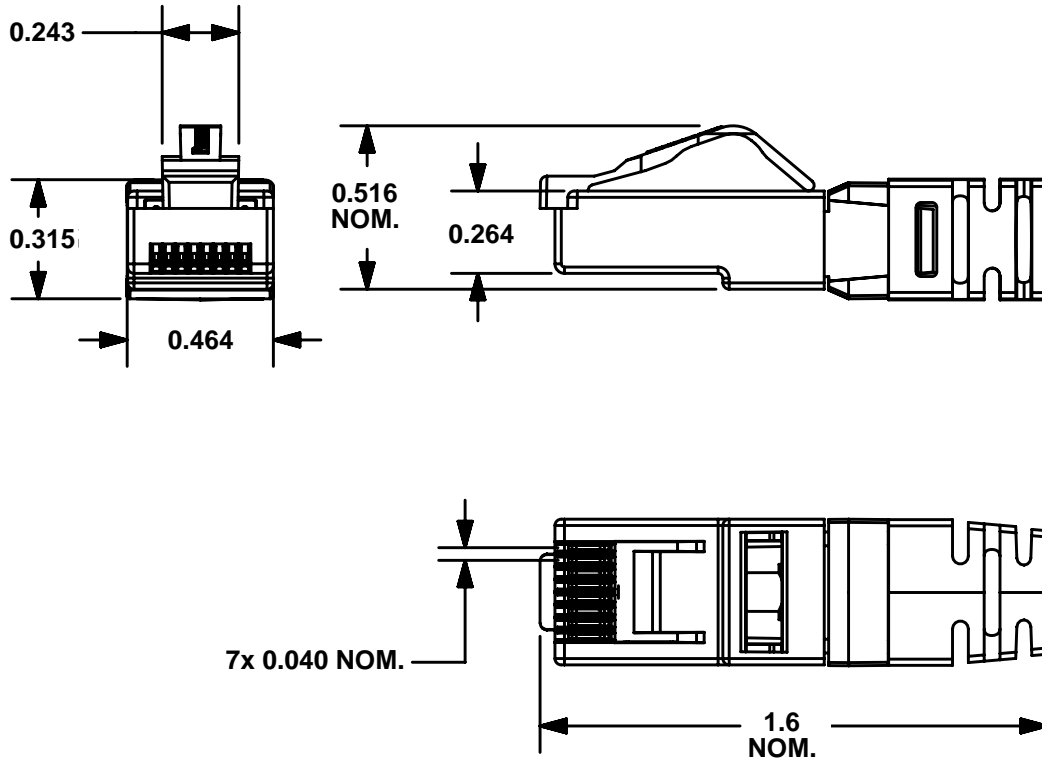
Wire prep tool: WPT-8

RJ45 plug lock-in device (standard): PSL-DCPLX[^]

RJ45 plug lock-in device (recessed): PSL-DCPLRX[^]

[^]For colors other than Red, add suffix -BL (Black), -BU (Blue), -GR (Green), -YL (Yellow), -OR (Orange), IW (Int'l White), or -IG (Int'l Gray) to the end of the part number.10/package. Add -C for bulk packages of 100.

TX6™ PLUS Category 6 UTP Modular Plug



WORLDWIDE SUBSIDIARIES AND SALES OFFICES

PANDUIT CANADA
Markham, Ontario
cs-cdn@panduit.com
Phone: 800.777.3300

PANDUIT EUROPE LTD.
London, UK
cs-emea@panduit.com
Phone: 44.20.8601.7200

PANDUIT SINGAPORE PTE. LTD.
Republic of Singapore
cs-ap@panduit.com
Phone: 65.6305.7575

PANDUIT JAPAN
Tokyo, Japan
cs-japan@panduit.com
Phone: 81.3.6863.6000

PANDUIT LATIN AMERICA
Guadalajara, Mexico
cs-la@panduit.com
Phone: 52.33.3777.6000

PANDUIT AUSTRALIA PTY. LTD.
Victoria, Australia
cs-aus@panduit.com
Phone: 61.3.9794.9020

For a copy of Panduit product warranties, log on to www.panduit.com/warranty

For more information

Visit us at www.panduit.com

Contact Customer Service by email: cs@panduit.com
or by phone: 800.777.3300

PANDUIT®

©2015 Panduit Corp.
ALL RIGHTS RESERVED.
COSP388--WW-ENG
8/2015