



WIP3PTZ20IR5

WISH IP H.265 3MP PTZ Speed Dome

The WIP3PTZ20IR5 is a 1/2.7 "CMOS 3MP H.265 IP PTZ Speed Dome with a 20x Zoom 5.5 to 110mm Lens. The camera is able to see up to 100m IR Illumination during lowlight in ideal conditions. The PSU and Wall Bracket are included.

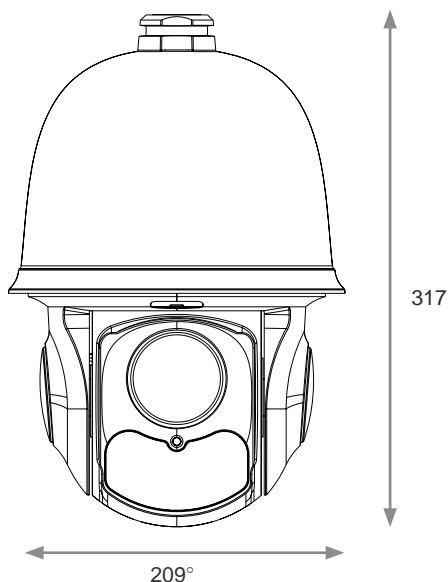


WIP3PTZ20IR5

Key Features

- 1/2.7 "CMOS 3MP Progressive Scan
- H.265 Video Compression
- 3MP (2048 x 1536), 1080P (1920 x 1080), 720P (1280 x 720), VGA (640 x 480)
- 5.5 ~ 110mm, 20 x Zoom Lens
- SD Card Local Storage / Snapshot Images
- Network Remote Storage
- Web GUI Menu for Engineer Setup
- CVBS Video Output
- 1x Audio Input, 1x Audio Output
- 1 NO/NC Alarm Inputs / 1 Alarm Output
- Up to 100m IR Illumination (In Ideal Conditions)
- PSU and Wall Bracket Included

Dimensions (mm)





Technical Specification

Model Number	WIP3PTZ20IR5
Image Sensor	1/2.8" Progressive CMOS
Image Pixels	3MP (2048 x 1536)
Minimum Illumination	0 Lux
IR Distance	Up to 100m (In ideal conditions)
WB	Auto/Manual
S/N Ratio	>48dB
Day/Night	Auto/Manual
Focus Mode	Auto/Manual
Lens	20x Zoom, f=5.5 ~ 5.5mm - 110m, F1.6 ~ F3.5
Pan Range	360° Endless Rotation
Pan Speed	Preset Speed: 240° /S: Manual Control Speed: 0.5 ~ 90°/S
Tilt Range	0 ~ 93° (Auto Rotation)
Tilt Speed	Preset Speed: 160°/S: Manual Control Speed: 0.5~90°/S
PTZ Control	Yes
Preset	255
Patrol	8
Pan	4
Time Task	8
Scan	2
Home Position Display	Yes
Auto Flip	Yes
Alarm Input	1Ch
Alarm Output	1CH
Compression	H.265
Frame Rate	1 ~ 30fps (25fps)
Protocol	TCP/IP, UDP, DHCP, DDNS, NTP, RTSP, SMTP, FTP, PPPoE
Storage	SD Card Local Storage, Network Remote Storage, Still Images
Smart Alarm	Motion Alarm ,Sensor Alarm
Resolution	3MP (2048 x 1536), 1080P (1920 x 1080), 720P (1280 x 720), D1, CIF, 480 x 240
Multi-Stream	Yes
Network Interface	10Base-T/100Base-TX, RJ45
Audio	Mic Input x1, Mic Output x1
Analogue Output	CVBS
Control	Network
Power Supply	AC24V/3000mA (PSU Included)
Power Consumption	15w (Max.65W,IR ON Heater ON)
Working Environment	Temperature: -20°C ~ 60°C, Humidity: Less than 95%
IP Rating	6kv Lighting protection, IP66
Dimensions (Ø x H)	Ø209 x 317 mm
Weight	3.5kg

Genie CCTV reserves the right to change specifications without notice. Please contact your representative to confirm current specifications.

Accessories

- **MPSWAN** - Multi Platform Swan Neck Bracket