



TALKAPHONE

ETP-MT/R SERIES EMERGENCY PHONE TOWER

TALKAPHONE'S ETP-MT/R SERIES EMERGENCY PHONE TOWER WITH ROUNDED CORNERS PROVIDES HIGH VISIBILITY AND HELPS TO DETER UNAUTHORIZED ACTIVITY WITH AN ALWAYS-LIT LED BLUE LIGHT MOUNTED ATOP THE UNIT. THE ETP-MT/R SERIES OFFER GREAT DEPLOYMENT FLEXIBILITY WITH WIRELESS, SOLAR, SURVEILLANCE AND DAY/NIGHT CHARGE OPTIONS.

FEATURES

- ETP-MT/R tower offers contemporary architectural styling and even greater visibility than standard towers due to its larger size and radius corners
- Attention-getting LED blue light is included and mounted atop the unit. The LED blue light is continuously lit and flashes for duration of a call when "EMERGENCY" button is pressed to draw attention to the unit
- LED blue light is housed in a protective polycarbonate housing (except OP4 and OP5)
- Emergency phone faceplate is illuminated at all times by an LED panel light
- Vandal-resistant structure and coating designed to resist extreme weather conditions
- A variety of signage, graphics, and color choices are available
- Easily mount any Talkaphone ETP-500 Series, VOIP-500 or VOIP-600 Series call station into the unit (sold separately).
- ADA-compliant



GENERAL SPECIFICATIONS	Radius Tower ETP-MT/R Series
Construction:	0.25 inch steel
Mounting:	Mounts into concrete foundation using included hardware (shipped in advance). Mounting options available for pre-poured parking decks
Standard Weight	340 lbs. (154 kg)
Standard Dimensions (W x H x D)	12.0 x 108.0 x 10.0 in. (305 x 2743 x 254 mm) with 2 in. radius corners
Power Source:	LED Blue Light: 7.8 watts, 120 VAC - 7.8 watts, 12-24VDC/24VAC LED Panel Light: 1.2 watts, 12-120VAC/DC
Coating	High-gloss, multi-layer, corrosion-inhibitive system with resistance to UV-fade and graffiti protection
Lighting:	LED Blue Light: 209 lumens peak, 78 flashes per minute, 70% of initial lumens after 50,000 hours of operation LED Panel Light: Ultra bright LEDs, 50,000 hour lifetime
Colors	Safety Blue is standard. Available in a variety of colors
Signage	3.25 in. high reflective white "EMERGENCY" lettering with wide-angle visibility is standard. Available in custom colors, lettering, and graphics
Call Station Options	VOIP-500 and 600 Series IP Call Stations, ETP-500 Series Analog Call Stations

Accessory Options

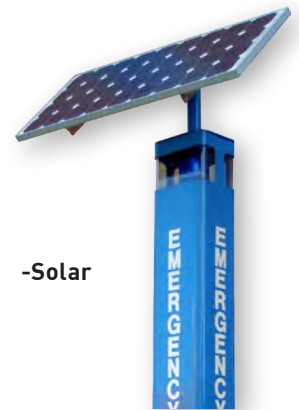


-OP-4D-EXT



-OP4

*Camera Sold Separately



-Solar

TALK-A-PHONE CO. LIMITED WARRANTY

Talk-A-Phone Co. warrants Talk-A-Phone Emergency Phone, Wide-Area Emergency Broadcast System (WEBS®), and Area of Rescue equipment against any defects in material and workmanship, under normal use, for a period of twenty-four (24) months from date of installation, provided that Talk-A-Phone receives a completed "Installation Certification" certifying the date on which the system has been installed. An "Installation Certification" card is enclosed with every unit. In the event that no "Installation Certification" is received by Talk-A-Phone, the twenty-four (24) months will commence on the date of shipment by Talk-A-Phone. Warranty period for Models ETP-MT Tower, ETP-MT/R Radius Tower, WEBS-MT/R Radius Tower, WEBS-PM Pedestal Mount, and ETP-PM Pedestal Mount is five (5) years, under the same terms and conditions. Warranty period for Intercommunication Products is three (3) months, under the same terms and conditions. In the event this product is found by Talk-A-Phone to be defective within the warranty period, Talk-A-Phone's only obligation and your exclusive remedy, shall be the repair and/or replacement of any defective parts, provided the equipment is returned to Talk-A-Phone Co., 7530 N. Natchez Ave., Niles, IL 60714. It is expressly understood that Talk-A-Phone shall have no obligation to furnish labor, nor pay for the labor of any third parties, nor bear the expense of shipping defective products for repair. This warranty shall not apply if Talk-A-Phone determines that the defect was caused by improper use or installation, or damage caused to the equipment by others.

THIS WARRANTY GIVES YOU SPECIFIC LEGAL RIGHTS AND YOU MAY ALSO HAVE OTHER RIGHTS WHICH VARY FROM STATE TO STATE.

Copyright 2016 Talk-A-Phone Co. All Rights Reserved

ETP-MT/R-72

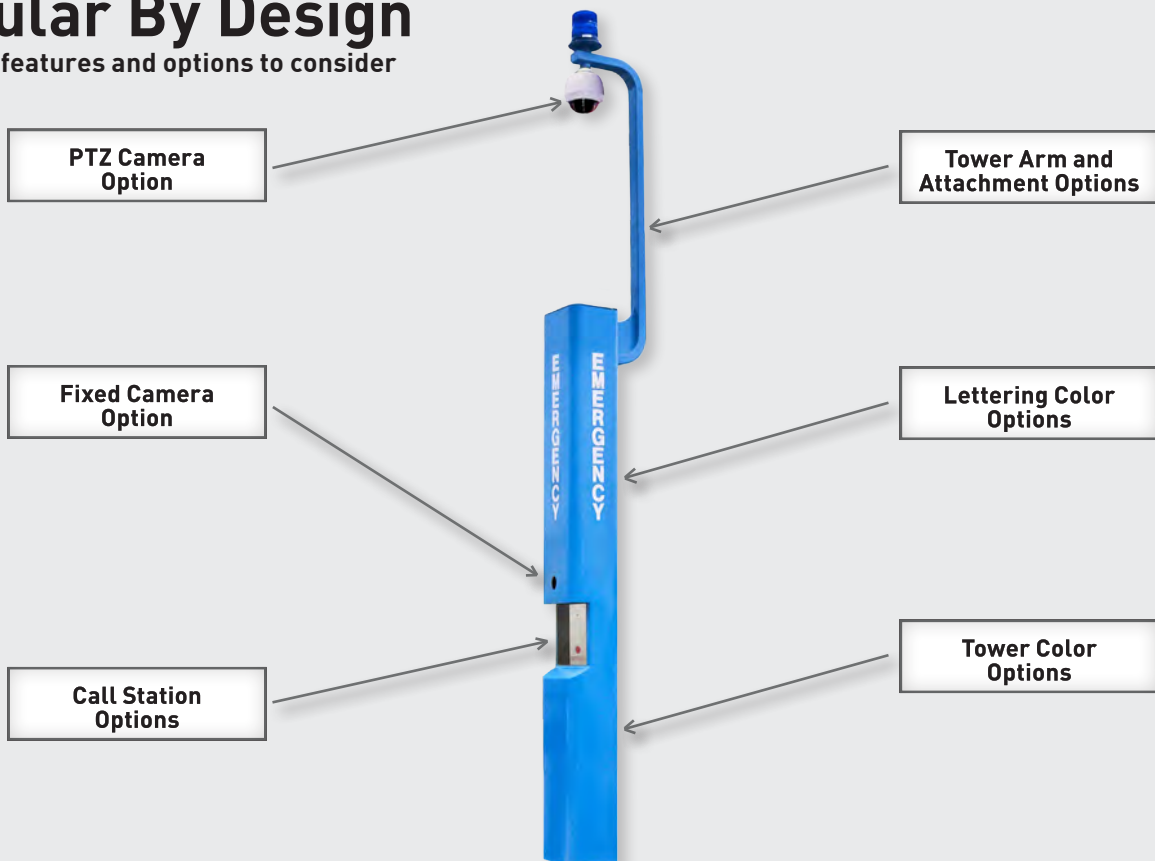


Model:	ETP-MT/R-72 72 inch emergency tower with 2 inch radius corners
Dimensions (W x H x D):	12.0 x 72.0 x 10.0 in. (305 x 2743 x 254 mm) with 2 in. radius corners
Weight	210 lbs. (95 kg)
Construction	0.25 inch steel

All specifications are subject to change without notice.

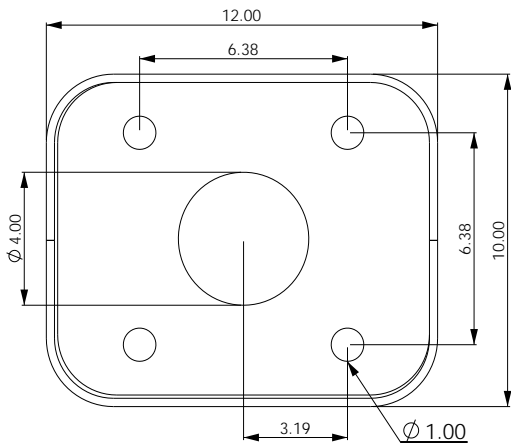
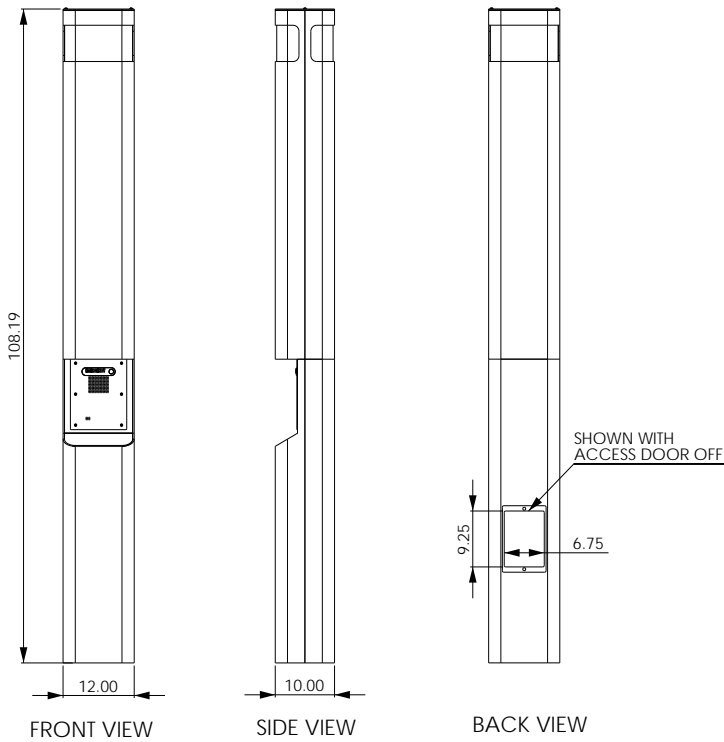
Modular By Design

Additional features and options to consider



DIMENSIONAL DRAWING

ETP-MT/R



TALKAPHONE

THE LEADERS IN SECURITY AND LIFE SAFETY COMMUNICATIONS

All dimensions are in inches and are provided for reference only.

BASE MODELS

ETP-MT/R: 108 inch 0.25 inch steel emergency tower with 2 inch radius corners

ETP-MT/R-72: 72 inch 0.25 inch steel emergency tower with 2 inch radius corners

OPTIONS

Model:	Description:
Fixed Camera Opening:	Model OP2: tower opening with fixed CCTV camera capabilities
Fixed Camera Opening with Camera	Model OP3: tower opening with fixed CCTV camera
Tower Camera Arm	Model OP4: attached tower arm with mounted CCTV camera capabilities
Tower Camera Arm with Camera	Model OP5: attached tower arm with mounted CCTV camera
Tower Dual Extension Arm	Model OP-4D-EXT: add-on crossbar fits any existing Talkaphone tower arm
Tower Solar Panel	Model Solar: provides a reliable, completely wireless emergency phone station