



TALKAPHONE




ETP-MT/R SERIES EMERGENCY PHONE TOWER

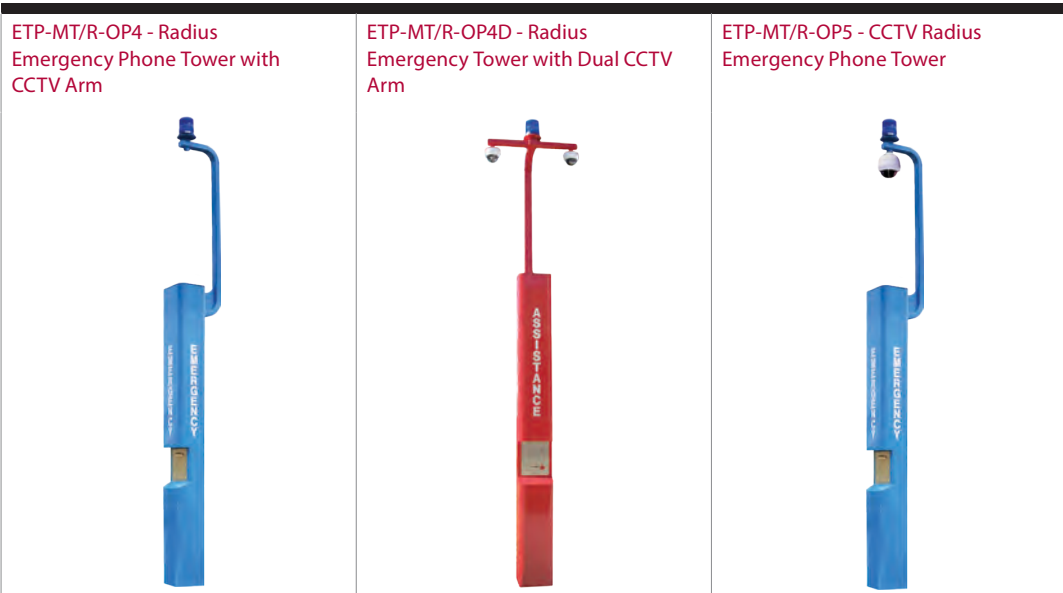
TALKAPHONE'S ETP-MT/R SERIES EMERGENCY PHONE TOWER WITH ROUNDED CORNERS PROVIDES HIGH VISIBILITY AND HELPS TO DETER UNAUTHORIZED ACTIVITY WITH AN ALWAYS-LIT LED BLUE LIGHT MOUNTED ATOP THE UNIT. THE ETP-MT/R SERIES OFFER GREAT DEPLOYMENT FLEXIBILITY WITH WIRELESS, SOLAR, SURVEILLANCE AND DAY/NIGHT CHARGE OPTIONS.

FEATURES

- ETP-MT/R tower offers contemporary architectural styling and even greater visibility than standard towers due to its larger size and radius corners
- Attention-getting LED Blue Light is included and mounted atop the unit. The LED Blue Light is continuously lit and flashes for duration of a call when "EMERGENCY" button is pressed to draw attention to the unit
- LED Blue Light is housed in a protective polycarbonate housing (except OP4 and OP5)
- Emergency Phone faceplate is illuminated at all times by an LED Panel Light
- Vandal-resistant structure and coating designed to resist extreme weather conditions
- A variety of signage, graphics, and color choices are available
- Easily mount any Talkaphone ETP-400 Series or VOIP-500 Series Emergency/Information Phone into the unit (sold separately).
- ADA-compliant



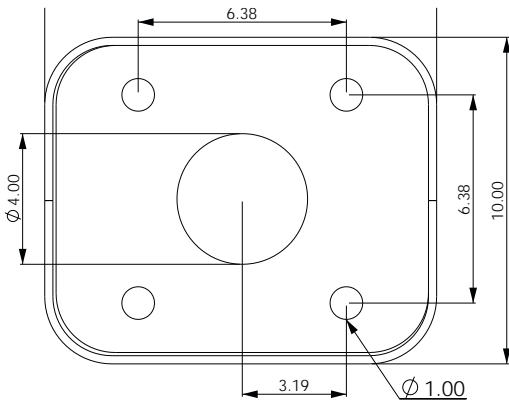
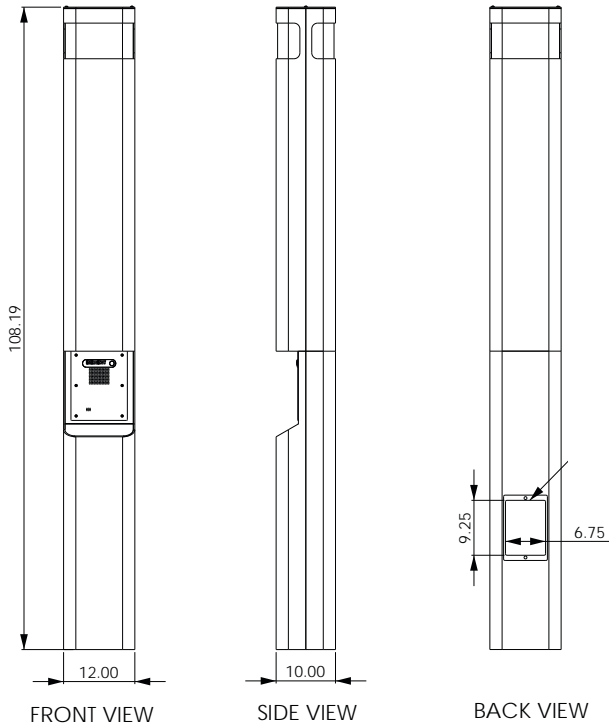
	ETP-MT/R Radius Emergency Phone Tower	ETP-MT/R-OP2 - Fixed Camera Ready Radius Emergency Phone Tower	ETP-MT/R-OP3 - Radius Emergency Phone Tower with Fixed Camera
			
Construction:	0.25 inch steel	0.25 inch steel	0.25 inch steel
Dimensions (WxDxH):	12.0 x 10.0 x 108.0 in. (305 x 254 x 2743 mm) with 2 in. radius corners	12.0 x 10.0 x 108.0 in. (305 x 254 x 2743 mm) with 2 in. radius corners	12.0 x 10.0 x 108.0 in. (305 x 254 x 2743 mm) with 2 in. radius corners
Weight:	340 lbs. (154 kg)	340 lbs. (154 kg)	340 lbs. (154 kg)
Coating:	High-gloss, multi-layer, corrosion-inhibitive system with resistance to UV-fade and graffiti protection	High-gloss, multi-layer, corrosion-inhibitive system with resistance to UV-fade and graffiti protection	High-gloss, multi-layer, corrosion-inhibitive system with resistance to UV-fade and graffiti protection
Colors:	Safety Blue is standard. Available in any color for no extra charge.	Safety Blue is standard. Available in any color for no extra charge.	Safety Blue is standard. Available in any color for no extra charge.
Signage:	3.25 in. high reflective white "EMERGENCY" lettering with wide-angle visibility is standard. Available in custom colors, lettering, and graphics.	3.25 in. high reflective white "EMERGENCY" lettering with wide-angle visibility is standard. Available in custom colors, lettering, and graphics.	3.25 in. high reflective white "EMERGENCY" lettering with wide-angle visibility is standard. Available in custom colors, lettering, and graphics.
Lighting:	LED Blue Light: 209 lumens peak, 78 flashes per minute, 70% of initial lumens after 50,000 hours of operation LED Panel Light: Ultra bright LEDs, 50,000 hour lifetime	LED Blue Light: 209 lumens peak, 78 flashes per minute, 70% of initial lumens after 50,000 hours of operation LED Panel Light: Ultra bright LEDs, 50,000 hour lifetime	LED Blue Light: 209 lumens peak, 78 flashes per minute, 70% of initial lumens after 50,000 hours of operation LED Panel Light: Ultra bright LEDs, 50,000 hour lifetime
Power:	LED Blue Light: 7.8 watts, 120 VAC - 7.8 watts, 12-24VDC/24VAC LED Panel Light: 1.2 watts, 12-120VAC/DC	LED Blue Light: 7.8 watts, 120 VAC - 7.8 watts, 12-24VDC/24VAC LED Panel Light: 1.2 watts, 12-120VAC/DC	LED Blue Light: 7.8 watts, 120 VAC - 7.8 watts, 12-24VDC/24VAC LED Panel Light: 1.2 watts, 12-120VAC/DC CCTV Camera: 3.5 watts 11-16VDC/17-28VAC
Mounting:	Mounts into concrete foundation using included hardware (shipped in advance). Mounting options available for pre-poured parking decks.	Mounts into concrete foundation using included hardware (shipped in advance). Mounting options available for pre-poured parking decks.	Mounts into concrete foundation using included hardware (shipped in advance). Mounting options available for pre-poured parking decks.
Warranty:	5-year warranty on tower (2-year warranty on electronics)	5-year warranty on tower (2-year warranty on electronics)	5-year warranty on tower (2-year warranty on electronics)
CCTV Camera:			1/3 in. CCD day/night 0.3 lux color/0.1 lux BW over 540TVL resolution backlight compensation 2.7-13.5mm F1.3 IR corrected vari-focal lens with DC auto iris



Construction:	0.25 inch steel	0.25 inch steel	0.25 inch steel
Dimensions (WxDxH):	12.0 x 10.0 x 143.3 in. (305 x 254 x 3640 mm) with 2 in. radius corners (height includes arm and strobe)	12.0 x 10.0 x 143.3 in. (305 x 254 x 3640 mm) with 2 in. radius corners (height includes arm and strobe)	12.0 x 10.0 x 143.3 in. (305 x 254 x 3640 mm) with 2 in. radius corners (height includes arm and strobe)
Weight:	385 lbs. (175 kg)	400 lbs. (181 kg)	395 lbs. (179 kg)
Coating:	High-gloss, multi-layer, corrosion-inhibitive system with resistance to UV-fade and graffiti protection	High-gloss, multi-layer, corrosion-inhibitive system with resistance to UV-fade and graffiti protection	High-gloss, multi-layer, corrosion-inhibitive system with resistance to UV-fade and graffiti protection
Colors:	Safety Blue is standard. Available in any color for no extra charge.	Safety Blue is standard. Available in any color for no extra charge.	Safety Blue is standard. Available in any color for no extra charge.
Signage:	3.25 in. high reflective white "EMERGENCY" lettering with wide-angle visibility is standard. Available in custom colors, lettering, and graphics.	3.25 in. high reflective white "EMERGENCY" lettering with wide-angle visibility is standard. Available in custom colors, lettering, and graphics.	3.25 in. high reflective white "EMERGENCY" lettering with wide-angle visibility is standard. Available in custom colors, lettering, and graphics.
Lighting:	<p>LED Blue Light: 209 lumens peak, 78 flashes per minute, 70% of initial lumens after 50,000 hours of operation</p> <p>LED Panel Light: Ultra bright LEDs, 50,000 hour lifetime</p>	<p>LED Blue Light: 209 lumens peak, 78 flashes per minute, 70% of initial lumens after 50,000 hours of operation</p> <p>LED Panel Light: Ultra bright LEDs, 50,000 hour lifetime</p>	<p>LED Blue Light: 209 lumens peak, 78 flashes per minute, 70% of initial lumens after 50,000 hours of operation</p> <p>LED Panel Light: Ultra bright LEDs, 50,000 hour lifetime</p>
Power:	<p>LED Blue Light: 7.8 watts, 120 VAC - 7.8 watts, 12-24VDC/24VAC</p> <p>LED Panel Light: 1.2 watts, 12-120VAC/DC</p>	<p>LED Blue Light: 7.8 watts, 120 VAC - 7.8 watts, 12-24VDC/24VAC</p> <p>LED Panel Light: 1.2 watts, 12-120VAC/DC</p>	<p>LED Blue Light: 7.8 watts, 120 VAC - 7.8 watts, 12-24VDC/24VAC</p> <p>LED Panel Light: 1.2 watts, 12-120VAC/DC</p> <p>CCTV Camera: 11 watts, 18-30VAC</p>
Mounting:	Mounts into concrete foundation using included hardware (shipped in advance). Mounting options available for pre-poured parking decks.	Mounts into concrete foundation using included hardware (shipped in advance). Mounting options available for pre-poured parking decks.	Mounts into concrete foundation using included hardware (shipped in advance). Mounting options available for pre-poured parking decks.
Warranty:	5-year warranty on tower (2-year warranty on electronics)	5-year warranty on tower (2-year warranty on electronics)	5-year warranty on tower (2-year warranty on electronics)
CCTV Camera:			<p>1/4 in. CCD day/night</p> <p>0.24 lux (color)</p> <p>0.021 lux (B/W IR mode)</p> <p>540TVL resolution</p> <p>3.4-119mm F1.4 lens with 35x optical and 12x digital zoom</p>

DIMENSIONAL DRAWING

All dimensions are in inches and are provided for reference only.



FOOT PRINT



TALKAPHONE

THE LEADERS IN SECURITY AND LIFE SAFETY COMMUNICATIONS

7530 North Natchez Avenue
Niles, Illinois 60714

Tel: 773-539-1100
Email: info@talkaphone.com
Web: www.talkaphone.com

Options

Parking Deck Mounting Kit:

Order model ETP-PDMK-4 to mount on pre-poured parking deck.

Automated External Defibrillator (AED)

Add to Model:	Description:
AED	Secure, recessed AED compartment with lockable door
HTR	Thermostatically controlled heater for AED compartment

Emergency Phones

VoIP

ANALOG

Single Button Emergency Phone



VOIP-500



ETP-400

Single Button Assistance Phone



VOIP-500C



ETP-400C

Dual Button Emergency Phone



VOIP-500D



ETP-400D

Keypad Emergency Phone



VOIP-500K



ETP-400K