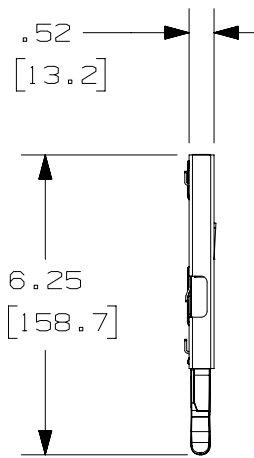
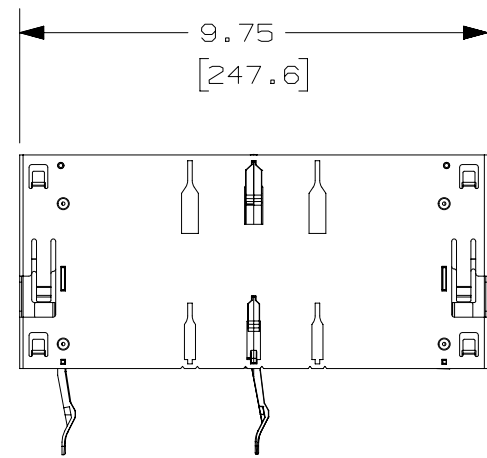


2

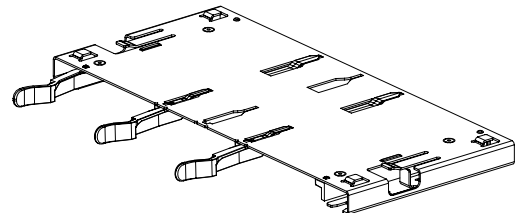
1

THIS COPY IS PROVIDED ON A RESTRICTED BASIS AND IS NOT TO BE USED IN ANY WAY DETRIMENTAL TO THE INTERESTS OF PANDUIT CORP.

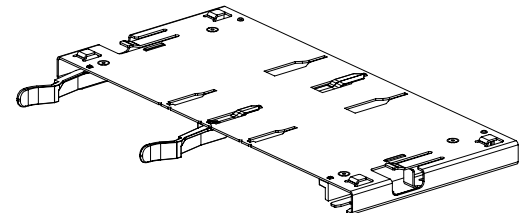


NOTES:

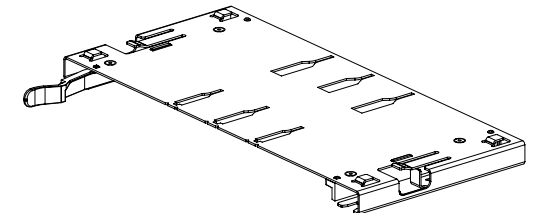
1. SEE CATALOG FOR COMPLETE LIST OF PARTS APPLICABLE FOR USE WITH THIS PART.
2. DIMENSIONS IN BRACKETS ARE METRIC.
3. ENCLOSURE MATERIAL: GALVANNEALED STEEL
ENCLOSURE COLOR: BLACK
4. ALL MATERIALS AND COMPONENTS USED MEET THE MATERIAL RESTRICTIONS OF RoHS (EUROPEAN DIRECTIVE 2011/65/EC ON THE RESTRICTION OF HAZARDOUS SUBSTANCES) AS PROPOSED BY THE RoHS TECHNICAL ADAPTATION COMMITTEE.
5. PART WEIGHT 0.6 lbs (0.27 kg)



FLEX-ORUCH04




FLEX-ORUCH06



FLEX-ORUCH12

01	10-04-16	SAT	BONS	TMK	RELEASED TO PRODUCTION				15F318AH-DC
REV	DATE	BY	CHK	APR	DESCRIPTION				ECN

TITLE									
HD FLEX ORU CASSETTE HOLDER									
CONTROL DRAWING									
ITEM REVISION NAME					15F318AH/01				
DATASET FILE NAME					15F318AH_DC/01A				
UNLESS OTHERWISE SPECIFIED, DIMENSIONAL TOLERANCES ARE: IN (mm)									
DIMENSIONS ARE FOR REFERENCE ONLY									
					PART NO: FLEX-ORUCH**				
					DRAWING NUMBER: 15F318AH-DC				
DRAWN BY		DATE		CHK		SCALE			
BONS		8-9-16		SAT		1:4			
					THIRD ANGLE PROJECTION				
					SHT 1 OF 1		SIZE A		

2

1