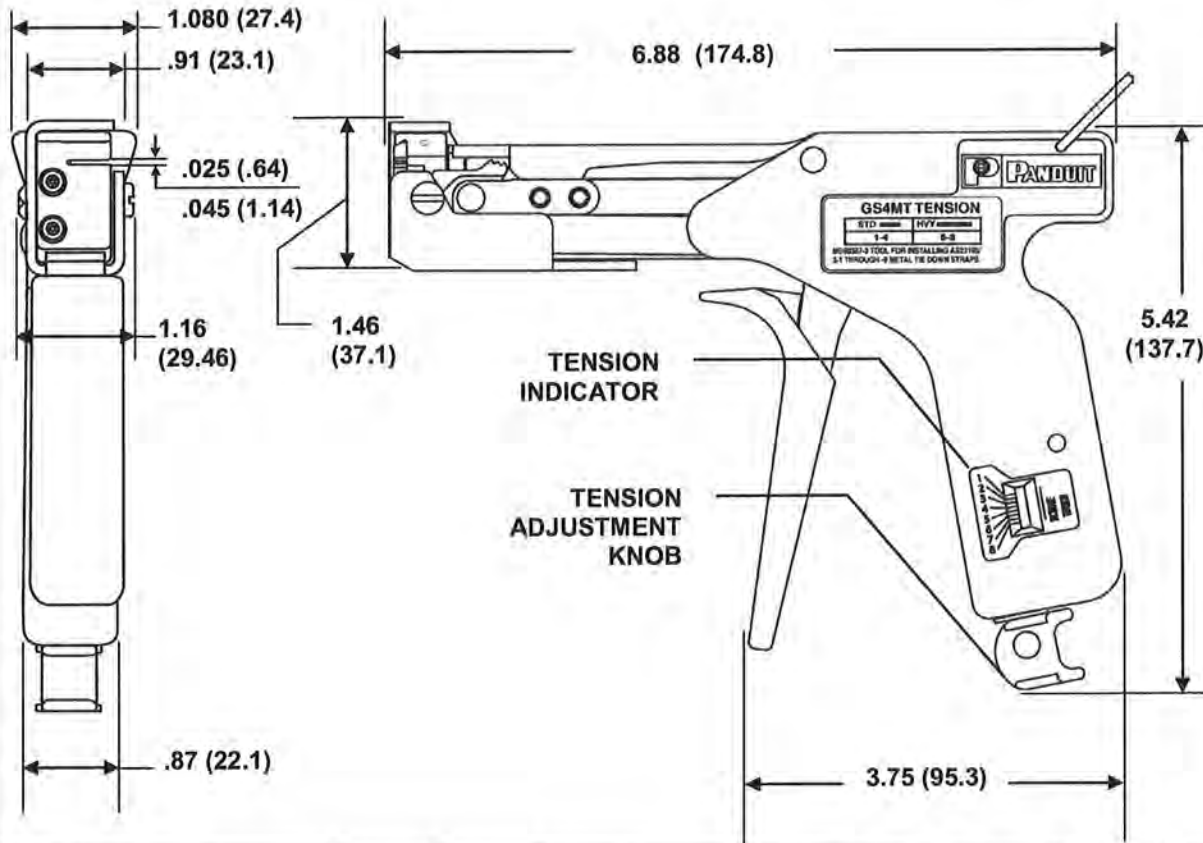


THIS COPY IS PROVIDED ON A RESTRICTED BASIS AND IS NOT TO BE USED IN ANY WAY DETRIMENTAL TO THE INTERESTS OF PANDUIT CORP.



SPECIFICATIONS:
 PANDUIT TOOL NO.: GS4MT
 TOOL WEIGHT: 19.2 oz. (544 gr.)

INSTALLS PANDUIT Pan-Steel STANDARD (STD), LIGHT-HEAVY (LH) AND HEAVY (HVV) CROSS SECTION STAINLESS STEEL TIES.

- THIS MILITARY STANDARD MS-90387-3 TOOL CAN BE USED TO INSTALL THE FOLLOWING MLT STRAPS: AS23190/3-1,2,3,4,5,6,7,8,9
- THIS TOOL TIGHTENS STAINLESS STEEL TIES AND CUTS OFF EXCESS PORTION WHEN PRESET TENSION IS ATTAINED
- SUPPLIED WITH SELECTOR KNOB FOR TENSION ADJUSTMENT.

DIMENSIONS SHOWN IN PARENTHESES ARE METRIC

F:\RVUSERS\ENGDOS\CUSTOMGWS\WB17905A01_03.doc

						GS4MT STAINLESS STEEL TIE INSTALLATION TOOL							
						CUSTOMER DRAWING							
						ITEM REVISION NAME:		PANDUIT					
						WB17905A01_03							
						UNLESS OTHERWISE SPECIFIED, DIMENSIONAL TOLERANCES ARE:		MATERIAL:					
						(.x) ± -- (.xxx) ± --		-----					
						(.xx) ± -- ANGLES ± --		DRAWING NUMBER:					
						THIRD ANGLE PROJECTION		WB17905A01					
03	2-07-13	BLR	<i>[Signature]</i>	<i>[Signature]</i>	UPD TEMPLATE & BRANDING	4608	DRAWN BY: BLR		DATE: 2-26-04	CHK ABJ	SCALE NONE	SHT 1 OF 1	SIZE A
REV	DATE	BY	CHK	APR	DESCRIPTION	ECN							