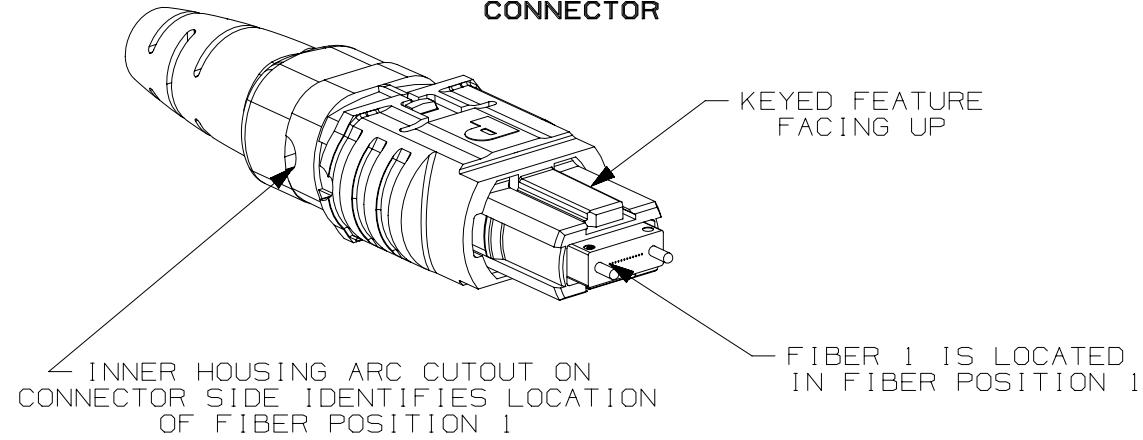
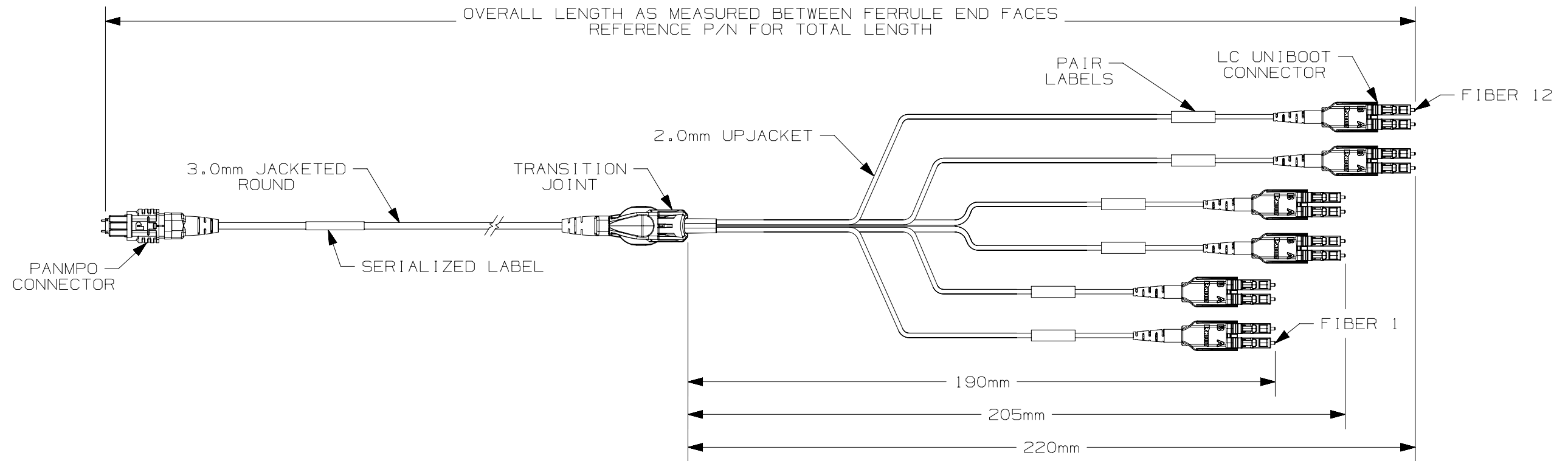


**PANMPO CONNECTOR**

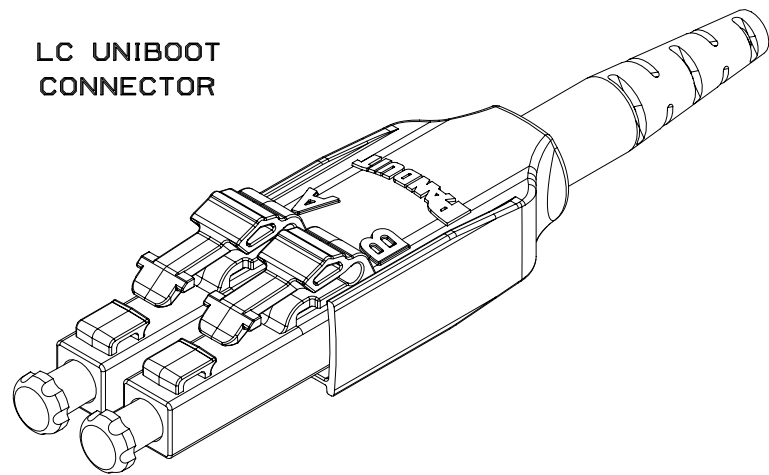


- NOTES:
- IDENTIFICATION:  
PANMPO TO LC UNIBOOT HARNESS WITH 2mm UPJACKETED BREAKOUT ASSEMBLY.
  - CABLE:  
A. REFERENCE PART NUMBER FOR CABLE/GLASS TYPE.
  - TECHNICAL SPECIFICATIONS:  
A. REFER TO PART NUMBER FOR OVERALL LENGTH (WHERE M=METERS AND F=FEET).
  - ALL MATERIALS AND COMPONENTS USED MEET THE MATERIAL RESTRICTIONS OF RoHS (EUROPEAN DIRECTIVE 2011/65/EC ON THE RESTRICTION OF HAZARDOUS SUBSTANCES) AS PROPOSED BY THE RoHS TECHNICAL ADAPTATION COMMITTEE.
  - DIMENSIONS IN BRACKETS ARE METRIC (mm).



**PAIR 1 AND 2 SHORTEST CONFIGURATION SHOWN**  
(FIBERS 1 AND 12 ARE REVERSED WHEN PAIRS 1 AND 2 ARE LONGEST)

**LC UNIBOOT CONNECTOR**



							TITLE		PANMPO TO LC UNIBOOT DUAL PAIR STAGGERED HARNESS (HYDRA) CABLE ASSEMBLY		
							ITEM REVISION NAME		M02680FV/00		
							DATASET FILE NAME		M02680FV_DC/00A		
							UNLESS OTHERWISE SPECIFIED, DIMENSIONAL TOLERANCES ARE: IN [mm]				
							.X : .XXX ± .010 [0.3]				
							.XX : .03 [0.8]		DRAWING NUMBER:		
							ANGLES :		M02680FV-DC		
							THIRD ANGLE PROJECTION		SIZE		
00	09-26-13	SAT	JGD		RELEASED TO PRODUCTION	M02680FV-DC	DRAWN BY	DATE	CHK	SCALE	SHT 1 OF 2
REV	DATE	BY	CHK	APR	DESCRIPTION	ECN	SAT	09-26-13	JGD	NONE	B



THIS COPY IS PROVIDED ON A RESTRICTED BASIS AND IS NOT TO BE USED IN ANY WAY DETRIMENTAL TO THE INTERESTS OF PANDUIT CORP.

1	2	3	4	5	6	7	8	9	10	11	12	13	14	15
F			R		8	N	U		S	N				

FIBER TYPE

X - OM3  
Z - OM4

FLAME COUNT

8 - 8 FIBERS  
T - 12 FIBERS

FLAME RATING

L - LSZH  
P - PLENUM OFNP

VARIANT END B

H - STAGGERED PAIR 1 AND 2 LONGEST BREAKOUT  
J - STAGGERED PAIR 1 AND 2 SHORTEST BREAKOUT

UNIT OF MEASURE

M - METERS  
F - FEET

LENGTH

B

B



A

A

TITLE																	
PANMPO TO LC UNIBOOT DUAL PAIR STAGGERED HARNESS (HYDRA) CABLE ASSEMBLY																	
CUSTOMER DRAWING																	
ITEM REVISION NAME																	
M02680FV/00																	
DATASET FILE NAME																	
M02680FV_DC/00A																	
UNLESS OTHERWISE SPECIFIED, DIMENSIONAL TOLERANCES ARE: IN [mm]																	
.X : .XXX : .010 [0.3] .XX : .03 [0.8] ANGLES :																	
DRAWING NUMBER: M02680FV - DC																	
THIRD ANGLE PROJECTION																	
DRAWN BY: SAT DATE: 09-26-13 CHK: JGD SCALE: NONE																	
SHT 2 OF 2																	
SIZE: B																	
00	09-26-13	SAT	JGD		RELEASED TO PRODUCTION									M02680FV-DC			
REV	DATE	BY	CHK	APR	DESCRIPTION									ECN			

