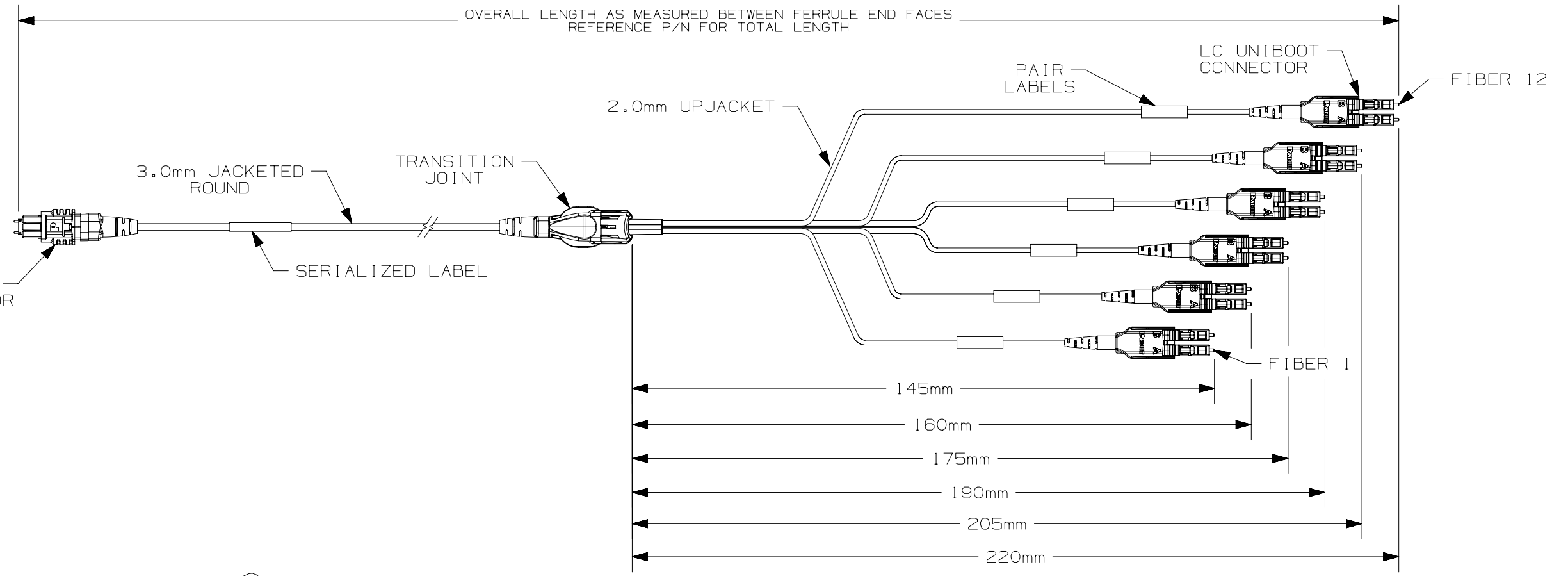
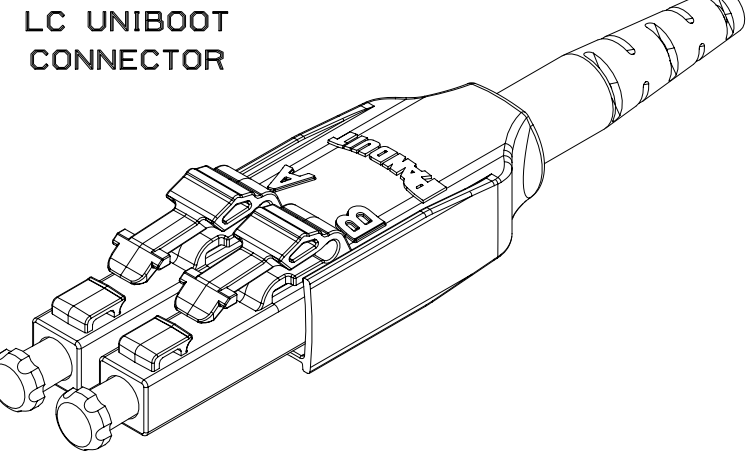


- NOTES:**
- IDENTIFICATION:
PANMPO TO LC UNIBOOT HARNESS WITH 2mm UPJACKETED BREAKOUT ASSEMBLY.
 - CABLE:
A. REFERENCE PART NUMBER FOR CABLE/GLASS TYPE.
 - TECHNICAL SPECIFICATIONS:
A. REFER TO PART NUMBER FOR OVERALL LENGTH (WHERE M=METERS AND F=FEET).
 - ALL MATERIALS AND COMPONENTS USED MEET THE MATERIAL RESTRICTIONS OF RoHS (EUROPEAN DIRECTIVE 2011/65/EC ON THE RESTRICTION OF HAZARDOUS SUBSTANCES) AS PROPOSED BY THE RoHS TECHNICAL ADAPTATION COMMITTEE.
 - DIMENSIONS IN BRACKETS ARE METRIC (mm).



PAIR 1 SHORTEST CONFIGURATION SHOWN
(FIBERS 1 AND 12 ARE REVERSED WHEN PAIR 1 IS LONGEST)



00	09-26-13	SAT	JGD			RELEASED TO PRODUCTION																
REV	DATE	BY	CHK	APR		DESCRIPTION				ECN												

TITLE PANMPO TO LC UNIBOOT STAGGERED PAIR HARNESS (HYDRA) CABLE ASSEMBLY		CUSTOMER DRAWING	
ITEM REVISION NAME M02680FU/00		PANDUIT	
DATASET FILE NAME M02680FU_DC/00A			
UNLESS OTHERWISE SPECIFIED, DIMENSIONAL TOLERANCES ARE: IN [mm]			
.X ± .001 [0.025]		.XXX ± .010 [0.3]	
.XX ± .03 [0.8]		ANGLES ±	
DRAWN BY SAT		DATE 09-26-13	CHK JGD
SCALE NONE		THIRD ANGLE PROJECTION	
DRAWING NUMBER M02680FU-DC		SHT 1 OF 2	
SIZE B			

1	2	3	4	5	6	7	8	9	10	11	12	13	14	15
F			R		8	N	U		S	N				

FIBER TYPE

- X - OM3
- Z - OM4

FLAME COUNT

- 8 - 8 FIBERS
- T - 12 FIBERS

FLAME RATING

- L - LSZH
- P - PLENUM OFNP

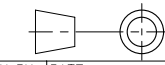
VARIANT END B

- F - STAGGERED PAIR 1 LONGEST BREAKOUT
- G - STAGGERED PAIR 1 SHORTEST BREAKOUT

UNIT OF MEASURE

- M - METERS
- F - FEET

LENGTH

							TITLE PANMPO TO LC UNIBOOT STAGGERED PAIR HARNESS (HYDRA) CABLE ASSEMBLY
							CUSTOMER DRAWING
							ITEM REVISION NAME M02680FU/00
							DATASET FILE NAME M02680FU_DC/00A
							UNLESS OTHERWISE SPECIFIED, DIMENSIONAL TOLERANCES ARE: IN [mm] .X ± .010 [0.3] .XX ± .03 [0.8] ANGES ± .010 [0.3]
00	09-26-13	SAT	JGD		RELEASED TO PRODUCTION	M02680FU-DC	
							 THIRD ANGLE PROJECTION
REV	DATE	BY	CHK	APR	DESCRIPTION	ECN	
SAT	09-26-13	JGD					DRAWN BY DATE 09-26-13
							CHK JGD
							SCALE NONE
							SIZE SHT 2 OF 2
							B