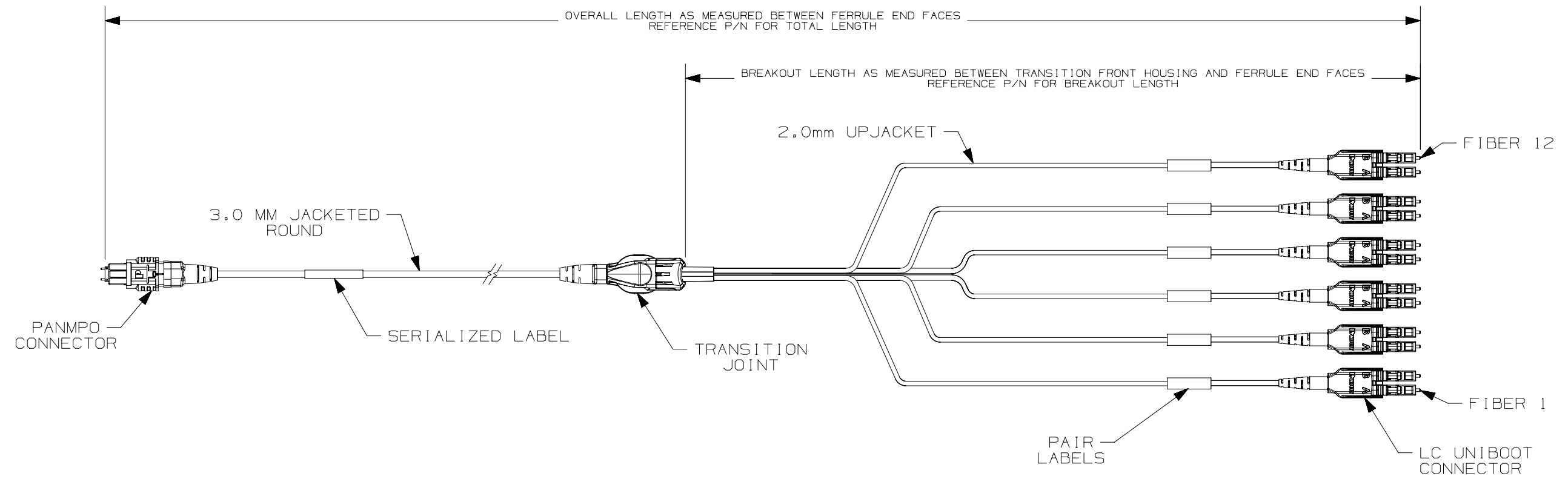
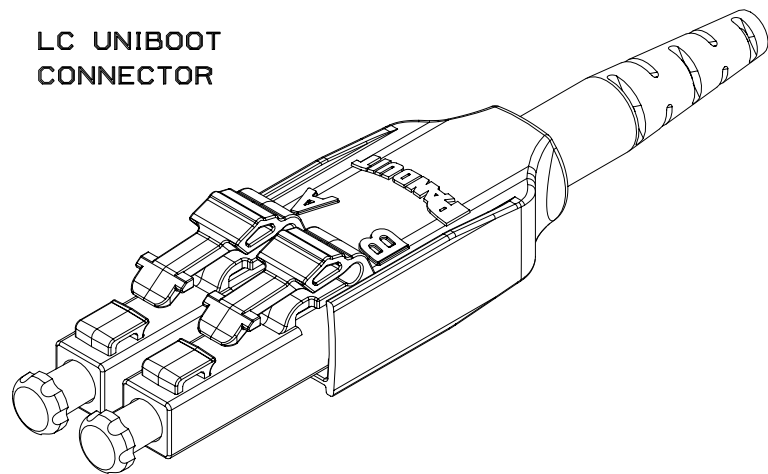


- NOTES:
- IDENTIFICATION:  
PANMPO TO LC UNIBOOT HARNESS WITH 2mm UPJACKETED BREAKOUT ASSEMBLY.
  - CABLE:  
A. REFERENCE PART NUMBER FOR CABLE/GLASS TYPE.
  - TECHNICAL SPECIFICATIONS:  
A. REFER TO PART NUMBER FOR OVERALL LENGTH (WHERE M=METERS AND F=FEET).
  - ALL MATERIALS AND COMPONENTS USED MEET THE MATERIAL RESTRICTIONS OF RoHS (EUROPEAN DIRECTIVE 2011/65/EC ON THE RESTRICTION OF HAZARDOUS SUBSTANCES) AS PROPOSED BY THE RoHS TECHNICAL ADAPTATION COMMITTEE.
  - DIMENSIONS IN BRACKETS ARE METRIC (mm).



**LC UNIBOOT CONNECTOR**



REV	DATE	BY	CHK	APR	DESCRIPTION	ECN
00	09-26-13	SAT	JGD		RELEASED TO PRODUCTION	M02680FT-DC

TITLE PANMPO TO LC UNIBOOT HARNESS (HYDRA) CABLE ASSEMBLY		<b>PANDUIT</b>
CUSTOMER DRAWING		
ITEM REVISION NAME M02680FT/00	MATERIAL: <b>PANDUIT</b>	
DATASET FILE NAME M02680FT_DC/00A		
UNLESS OTHERWISE SPECIFIED, DIMENSIONAL TOLERANCES ARE: IN [mm]		DRAWING NUMBER: M02680FT-DC
.X : .XXX ± .010 [0.3] .XX : .03 [0.8] ANGLES :		
THIRD ANGLE PROJECTION	DRAWN BY: SAT DATE: 09-26-13 CHK: JGD SCALE: NONE	
SHT 1 OF 2		SIZE: B

1	2	3	4	5	6	7	8	9	10	11	12	13	14	15
F			R		8	N	U		S	N				

FIBER TYPE

X - OM3  
Z - OM4

FLAME COUNT

8 - 8 FIBERS  
T - 12 FIBERS

FLAME RATING

L - LSZH  
P - PLENUM OFNP

VARIANT END B

A - 18" EQUAL BREAKOUT      D - 1 METER EQUAL BREAKOUT  
B - 30" EQUAL BREAKOUT      S - 24" EQUAL BREAKOUT  
C - 36" EQUAL BREAKOUT      K - 2 METERS EQUAL BREAKOUT

UNIT OF MEASURE

M - METERS  
F - FEET

LENGTH

						TITLE PANMPO TO LC UNIBOOT HARNESS (HYDRA) CABLE ASSEMBLY CUSTOMER DRAWING						
						ITEM REVISION NAME M02680FT/00						
						DATASET FILE NAME M02680FT_DC/00A						
						UNLESS OTHERWISE SPECIFIED, DIMENSIONAL TOLERANCES ARE: IN [mm] .X ± .03 [0.8]      .XXX ± .010 [0.3] .XX ± .03 [0.8]      ANGLES ±						
						THIRD ANGLE PROJECTION						
00	09-26-13	SAT	JGD		RELEASED TO PRODUCTION	M02680FT-DC						
REV	DATE	BY	CHK	APR	DESCRIPTION	ECN	DRAWN BY	DATE	CHK	SCALE	DRAWING NUMBER: M02680FT-DC	
							SAT	09-26-13	JGD	NONE	SHT 2 OF 2	SIZE B