

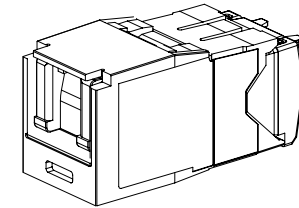
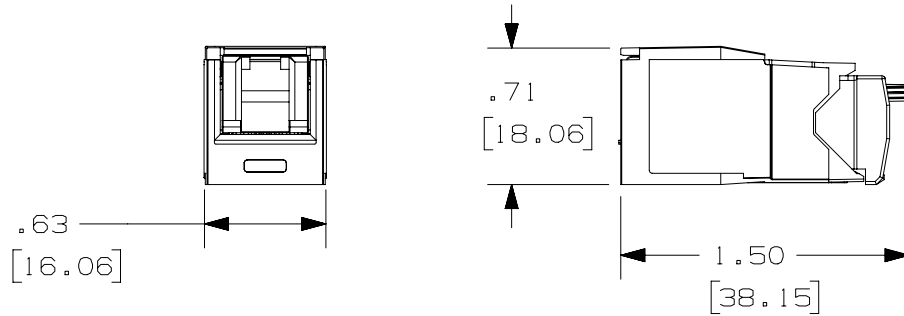
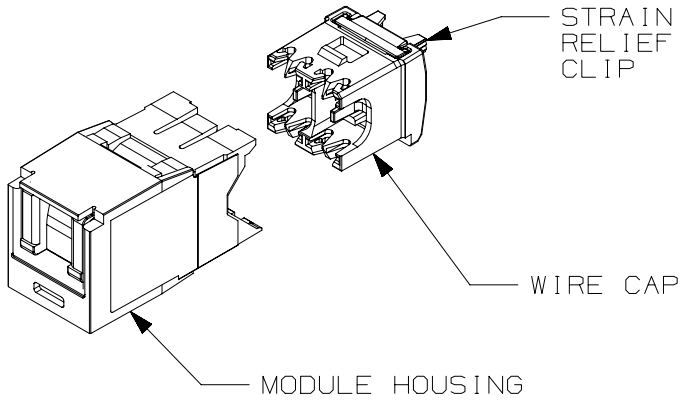
THIS COPY IS PROVIDED ON A RESTRICTED BASIS AND IS NOT TO BE USED IN ANY WAY DETRIMENTAL TO THE INTERESTS OF PANDUIT CORP.

PANDUIT PART#	DESCRIPTION	WEIGHT*
CJH6X88TG**	8 POSITION, 8 WIRE UNIVERSAL MODULE. BLUE WIRE CAP IS COLOR CODED FOR T568A AND T568B WIRING SCHEMES.	1.504 LB/100 PCS (682g/100 PCS)

\*WEIGHT IS APPROXIMATE  
\*\*JACK COLOR SUFFIX

NOTES:

1. BLUE WIRE CAP DESIGNATES AUGMENTED CATEGORY 6A PERFORMANCE.
2. SEE CURRENT CATALOG FOR AVAILABLE PART NUMBER SUFFIXES TO INDICATE COLOR AND OR PACKAGE QUANTITY.
3. MATERIAL:  
MODULE HOUSING - ABS  
WIRE CAP - PC  
STRAIN RELIEF CLIP - PC
4. ALL CATEGORY 6A, 8 POSITION, 8 WIRE CONNECTOR MODULES ARE UNIVERSAL IN DESIGN. THEY ACCEPT SIX AND EIGHT POSITION MODULAR PLUGS WITHOUT DAMAGE.
5. DIMENSIONS IN [ ] ARE IN METRIC.
6. SPRING SHUTTERED DOOR OPENS AND CLOSES AUTOMATICALLY WITH PLUG INSERTION AND REMOVAL.
7. SHUTTERED DOOR PREVENTS THE ACCUMULATION OF DUST PER IP-40 PROTECTION RATING STANDARDS.



ACTUAL SIZE

PART NUMBER		CJH6X88TG**	
TITLE			
MINI-COM CAT6A UTP SPRING SHUTTERED JACK MODULE			
CUSTOMER DRAWING			
ITEM REVISION NAME		14M542AC/00	
DATASET FILE NAME		14M542AC_DC02/00A	
UNLESS OTHERWISE SPECIFIED, DIMENSIONAL TOLERANCES ARE: IN [ mm ]		MATERIAL:	
.X ±		.XXX ±	
.XX ±		ANGLES ±	
DRAWN BY		SCALE	
BJN		FULL	
DATE		SHT 1 OF 1	
5-27-15		A	
CHK		DRAWING NUMBER:	
ROJC		14M542AC-02	
APR		THIRD ANGLE PROJECTION	
DESCRIPTION		SIZE	
RELEASED TO PRODUCTION		A	
14M542AC-02			

REV	DATE	BY	CHK	APR	DESCRIPTION	ECN
R	5-27-15	BJN	ROJC	FMS	RELEASED TO PRODUCTION	14M542AC-02

D10100DA/14