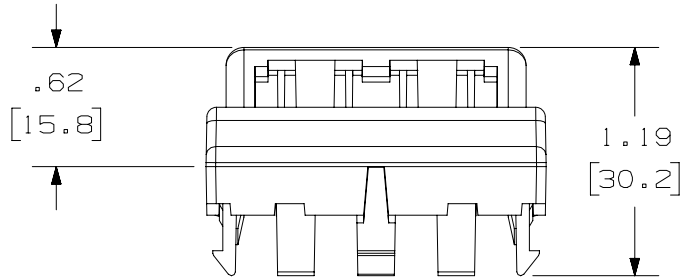
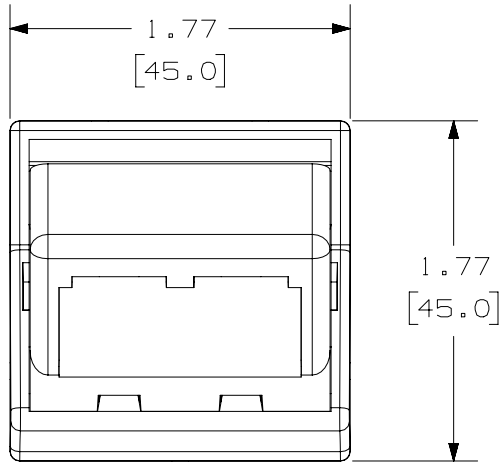


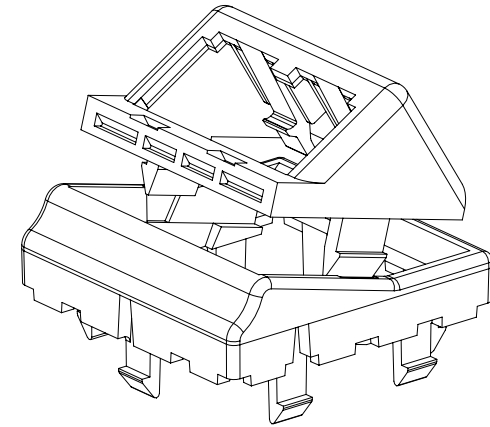
THIS COPY IS PROVIDED ON A RESTRICTED BASIS AND IS NOT TO BE USED IN ANY WAY DETRIMENTAL TO THE INTERESTS OF PANDUIT CORP.



PANDUIT P/N	WEIGHT
CFPFS2**	.23 LB/10 PCS (106.3g/10 PCS)

NOTES:

- SEE CURRENT CATALOG FOR ADDITIONAL PART NUMBER SUFFIXES TO INDICATE COLOR AND OR PACKAGE QUANTITY.
- SEE CATALOG FOR COMPLETE LIST OF PARTS APPLICABLE FOR USE WITH THIS PART.
- DIMENSIONS IN ( ) ARE IN METRIC.
- PART INCLUDES:  
1- 45 X 45 ADAPTER  
1- 2 POSITION SLOPED INSERT



PART NUMBER		CFPFS2**	
TITLE			
MINI-COM 2 POSITION SLOPED 45X45mm FRENCH ADAPTER KIT			
CUSTOMER DRAWING			
ITEM REVISION NAME		M00142CS/00	
DATASET FILE NAME		M00142CS_DC/00B	
UNLESS OTHERWISE SPECIFIED, DIMENSIONAL TOLERANCES ARE: IN (mm)		MATERIAL:	
.x ± .xxx ± .010 (.3)		ABS	
.xx ± .03 (.8) ANGLES ±		DRAWING NUMBER:	
THIRD ANGLE PROJECTION		00142-45	
DRAWN BY	DATE	CHK	SCALE
JSP	1-10-00	PBD	NONE
REV	DATE	BY	CHK
3	4/7/14	JSP	REFR
APR	DESCRIPTION		ECN
MMR	B. REVISED AND REDRAWN, PREVIOUS REVISIONS OMITTED.		00142-45
SHT 1 OF 1		SIZE	
SHT 1 OF 1		A	

D10100DA/14

2

1

2

1