

10Gig™ SFP+ Direct Attach Passive Copper Cable Assemblies

Low Power, Low Latency 10 Gb/s Server Interconnect Solution for Top of Rack Switching Applications



As virtualization, consolidation, and convergence initiatives continue to grow, so do the demands placed on the physical infrastructure. To meet the needs for faster processing speeds, low power server inter-connect and I/O consolidation deployments, Panduit offers 10Gig™ SFP+ Direct Attach Passive Copper Cable Assemblies.

This high speed data transport capability is ideal as server virtualization becomes more prevalent. With multiple virtual machines, server I/O consolidation topology requires 10 Gb/s interconnects between top of rack switches and servers. By incorporating 10Gig™ SFP+ Direct Attach Passive Copper Cable Assemblies into the physical infrastructure, businesses can achieve 10 Gigabit performance port-to-port without additional signal processing or conversion, providing a low power, low latency 10 Gb/s server interconnect option for top of rack switching applications.

End-to-end high speed data transport systems from Panduit deliver enhanced availability, agility, and security. Visit www.panduit.com/hsdt to learn more about how these solutions help customers manage risk across the physical infrastructure.

Key Features	Benefits
100% performance tested	Confidence that each assembly delivers specified performance for ensured network availability
Compliant to SFF-8431, SFF-8432 and SFF-8472	Ensuring 10 Gb/s performance when mated to any SFF-8431 SFP+ compliant host port
Robust construction	High speed 10 GHz twin-axial cable, with two shielded parallel pairs, factory terminated to SFP+ 10 Gb/s hot pluggable modular connectors; rated to a minimum 250 mating cycles
Low latency performance	Ideal for high performance computer clustering and other latency sensitive applications
Passive low power assembly	Provides a low cost short reach interconnect option with no additional power draw
Low profile	Robust easy-to-use connector latching feature allows easy installation in belly-to-belly high density installations
Small diameter cable design	Enables proper cable management and improved air flow
Built-in strain relief	Ensures proper bend radius control for reliable deployment
Variety of lengths	Available 0.5 to 7 meters (0.5 meter increments) for design flexibility and optimum airflow
Variety of colors	Available in Blue, White, Black, Red, Green, and Orange for easy identification of multiple networks and fabrics

Key Applications Include:

- Top of Rack Switching
- I/O Consolidation
- Fibre Channel Over Ethernet (FCOE)
- 10 Gigabit Ethernet
- 8 Gb/s Fibre Channel
- High Performance Computer Clustering

10Gig™ SFP+ Direct Attach Passive Copper Cable Assemblies

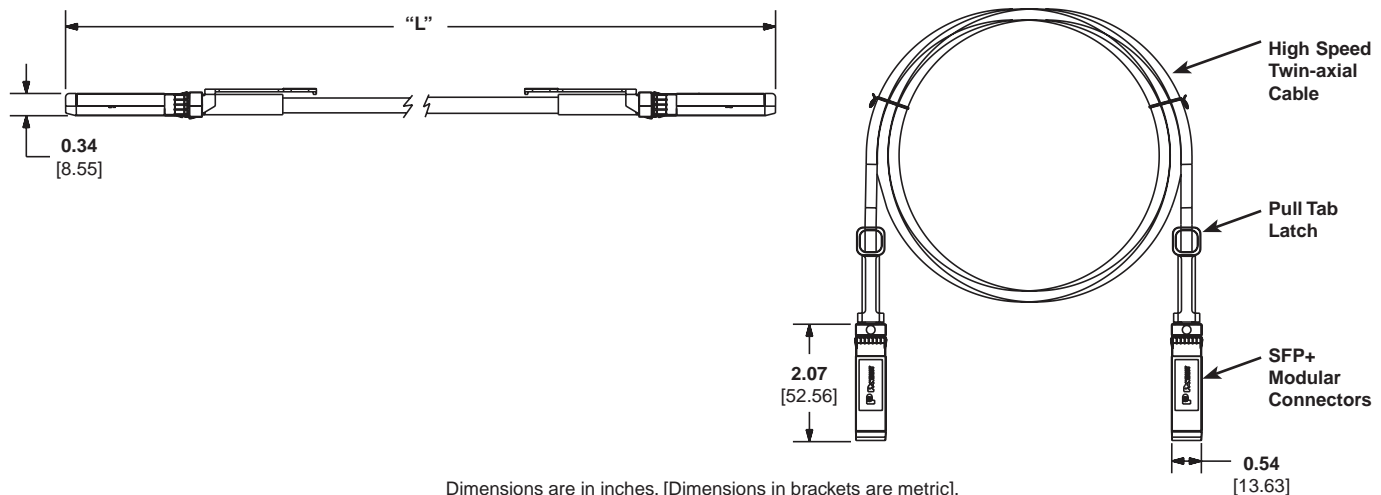
Technical Information

Characteristic impedance	100 +/- 5 Ω
Case temperature	0°C to 70°C (32°F to 158°F)
Storage temperature	4°C to 75°C (40°F to 167°F)
IEC flame compliance	IEC 60332, 60333, 60324
Bend radius	5 x O.D. single time, 10 x O.D. repeated times
Insertion force to cage	18N (4 lbf.) maximum
Withdrawal force from cage	12.5N (2.8 lbf.) maximum
Retention force	90 – 170N (20 – 38 lbf.)
ROHS status	Compliant

Ordering Information

Part Number	Length (m)	Length (Ft.)	Cable Gauge	Nominal Cable O.D.		Cable Jacket
				mm	In.	
PSF1PXA0.5MBU	0.5	1.6	30 AWG	4.1	0.161	PVC
PSF1PXA1MBU	1	3.3	30 AWG	4.1	0.161	PVC
PSF1PXA1.5MBU	1.5	4.9	30 AWG	4.1	0.161	PVC
PSF1PXA2MBU	2	6.6	30 AWG	4.1	0.161	PVC
PSF1PXA2.5MBU	2.5	8.2	30 AWG	4.1	0.161	PVC
PSF1PXA3MBU	3	9.8	30 AWG	4.1	0.161	PVC
PSF1PXA3.5MBU	3.5	11.5	30 AWG	4.1	0.161	PVC
PSF1PXD4MBU	4	13.1	24 AWG	6.0	0.236	PVC
PSF1PXD4.5MBU	4.5	14.4	24 AWG	6.0	0.236	PVC
PSF1PXD5MBU	5	16.4	24 AWG	6.0	0.236	PVC
PSF1PXD5.5MBU	5.5	17.6	24 AWG	6.0	0.236	PVC
PSF1PXD6MBU	6	19.7	24 AWG	6.0	0.236	PVC
PSF1PXD6.5MBU	6.5	20.8	24 AWG	6.0	0.236	PVC
PSF1PXD7MBU	7	23.0	24 AWG	6.0	0.236	PVC

Note: For standard cable colors other than BU (Blue), replace BU in part number with WH (White), BL (Black), RD (Red), GR (Green), or OR (Orange).



WORLDWIDE SUBSIDIARIES AND SALES OFFICES

PANDUIT CANADA
Markham, Ontario
cs-cdn@panduit.com
Phone: 800.777.3300

PANDUIT EUROPE LTD.
London, UK
cs-emea@panduit.com
Phone: 44.20.8601.7200

PANDUIT SINGAPORE PTE. LTD.
Republic of Singapore
cs-ap@panduit.com
Phone: 65.6305.7575

PANDUIT JAPAN
Tokyo, Japan
cs-japan@panduit.com
Phone: 81.3.6863.6000

PANDUIT LATIN AMERICA
Guadalajara, Mexico
cs-la@panduit.com
Phone: 52.33.3777.6000

PANDUIT AUSTRALIA PTY. LTD.
Victoria, Australia
cs-aus@panduit.com
Phone: 61.3.9794.9020

For a copy of Panduit product warranties, log on to www.panduit.com/warranty

For more information

Visit us at www.panduit.com

Contact Customer Service by email: cs@panduit.com
or by phone: 800.777.3300

PANDUIT®

©2015 Panduit Corp.
ALL RIGHTS RESERVED.
COCB05--WW-ENG
Replaces WW-COCB20
9/2015