

Three Way Power Splitter N Female, 698-2700 MHz

RFPS-3-NF

Low PIM

Low VSWR

Other Configurations Available

50 Ohms Impedance

RoHS Compliant

IP65 Rated



GENERAL SPECIFICATIONS

Device Type	Power Splitter
Interface	N Female
Color	Black
Weight	1.05 lb
Dimensions	9.5" L x 2.4" W x 1.1" H
Bracket Included	Yes

ELECTRICAL SPECIFICATIONS

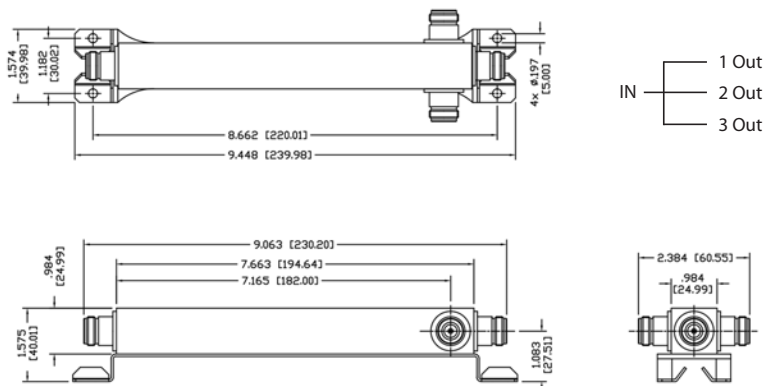
Operation Frequency Band	698-2700 MHz
3rd Intermodulation	≤ -155 dBc min, ≤ -165 dBc Typical
3rd Intermodulation Test Method	Two +43 dBm carriers
Average Power	300 Watt
Impedance	50Ω
Insertion Loss	< 0.2 dB@698-2700 MHz
Peak Power	1 Kw
Split Loss	4.8 dB
VSWR	≤ 1.25

MECHANICAL SPECIFICATIONS

Inner Contact Plating	Silver
Outer Plating	White Bronze (Tri-Metal)

ENVIRONMENTAL SPECIFICATIONS

Application	Indoor/Outdoor
Operating Temperature	-30°C ~ +75°C; -22°F ~ +167°F
Relative Humidity	Up to 100%
Regulatory Compliance / Certifications	RoHS / IP65



RF Industries

(NASDAQ: RFIL)

7610 Miramar Road
San Diego, CA 92126

(800) 233-1728

(858) 549-6340

Fax: (858) 549-6345

rfi@rfindustries.com

www.rfindustries.com