

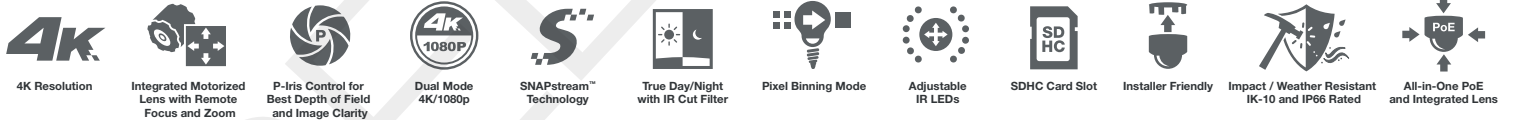
# MegaDome® 4K IP Megapixel Cameras

8.3 Megapixel H.264 Motorized P-Iris Lens True Day/Night Indoor/Outdoor Dome IP Cameras



The AV08ZMD-400 4K 8-Megapixel/1080p MegaDome® 4K dual mode network camera is the new generation of Arecont Vision's full line of H.264 MegaDome® cameras. This fully compliant implementation of H.264 (MPEG-4, Part 10) provides full 3840 x 2160 megapixel resolution at full video frame rates of 30 frames per second (fps) at 8-megapixel and 60fps in 1080p binned mode. The AV08ZMD-400 camera line provides an all-in-one solution with integrated 8-megapixel day/night camera, remote focus, remote zoom, P-Iris, 4.4-10mm lens, SDHC card, IP66 water/dust ingress rating and vandal resistant dome enclosure IK-10 rating.

With the features of SNAPstream™ to reduce bandwidth without impacting image quality, scaling, binned mode, privacy masking, extended motion detection and flexible cropping, the AV08ZMD-400 is a high sensitivity, Power over Ethernet (PoE - IEEE 802.3af) compliant camera. Built with Arecont Vision's massively-parallel MegaVideo® processing technology, this camera offers more than 27-times the resolution of standard resolution IP cameras with the ability to output full real-time frame rates and deliver high-quality megapixel imaging for both indoor and outdoor applications.



## Series Features

- 8.3 Megapixels at 30fps
- 4K/1080p Dual Mode
- SNAPstream™ (Smart Noise Adaptation and Processing) capability to reduce bandwidth without impacting image quality
- Remote Focus/Zoom P-Iris Lens
- P-Iris Control to Get Best Depth of Field and Image Clarity
- Privacy Mask, Motion Detection, Flexible Cropping, Bit Rate Control, Multi-Streaming, Forensic Zooming and Non-Integer Scaling
- Dual Encoder H.264/MJPEG
- True Day/Night Functionality with Mechanical IR Cut Filter and IR LEDs
- Binning Mode for Strong Low Light Performance
- MoonLight™ mode for extended exposure and noise cancellation
- Adjustable Beam Angle and LED intensity
- SDHC Card Slot for Onboard Storage
- Total PoE Solution (No External Power Required for IR LEDs) with Auxiliary Power: 12-48V DC/24V AC
- Outdoor Rated IP66 and IK-10 Impact-Resistant Housing
- Easily Adjustable 3-Axis Gimbal

Camera Imaging Specifications

<b>Model</b>		<b>AV08ZMD-400</b>
<b>Image Sensor (CMOS)</b>		8.3MP
<b>Optical Format</b>		1/1.7"
<b>Pixel Pitch</b>		1.85µm
<b>Minimum Illumination</b>	Color (Day Mode)	0.5 Lux
	Color Binning (Day Mode)	0.25 Lux
	B/W (Night Mode)	0.02 Lux, IR sensitive
<b>Full FOV Resolution</b>		3840 H x 2160 V
<b>1/4 Resolution</b>		1920 H x 1080 V
<b>Scaling</b>		See: Scaling Resolution Chart
<b>Dynamic Range</b>		70.7dB
<b>Maximum SNR</b>		40.1dB
<b>Frame Rates</b>	At Maximum Resolution	30fps (3840 x 2160)
	Binning Mode	60fps (1920 x 1080)
<b>Lens</b>		4.4-10mm Integrated, 1/1.7", F/1.2, H-FOV = 96°-43°

SituationalPlus™

Model	Lens	View Angle	Distance to pixel density (ft.)(m)					
			30ppf-T (98ppm)	30ppf-W (98ppm)	60ppf-T (197ppm)	60ppf-W (197ppm)	90ppf-T (295ppm)	90ppf-W (295ppm)
AV08ZMD-400	4.4-10mm	43° - 96°	170' (51.8m)	61' (18.6m)	86' (26.2m)	28.5' (8.7m)	56.5' (17.2m)	16.5' (5.0m)

Scaling Resolution Chart

Scaled Resolution	H	V	Pixel Count
720p	1280	720	921600
XVGA	1024	768	786432
DVGA (16:9)	1136	640	727040
DVGA (3:2)	960	640	614400
SVGA	800	600	480000
D1 (PAL)	720	576	414720
4CIF (PAL)	704	576	405504
D1 (NTSC)	720	480	345600
4CIF (NTSC)	704	480	337920
VGA	640	480	307200
2CIF (PAL)	704	288	202752
HVGA (4:3)	480	360	172800
2CIF (NTSC)	704	240	168960
HVGA (8:3)	640	240	153600
HVGA (3:2)	480	320	153600
HVGA (16:9)	480	272	130560
CIF (PAL)	352	288	101376
CIF (NTSC)	352	240	84480
QVGA (SIF)	320	240	76800
QCIF (PAL)	176	144	25344
QCIF (NTSC)	176	120	21120
SQCIF	128	96	12288

Programmability

<b>Optics</b>	Remote focus, remote zoom and P-iris
<b>Low Light Performance</b>	MoonLight™ mode
	Pixel Binning Mode
<b>Picture-in-Picture</b>	Simultaneous delivery of full field-of-view and zoomed images
<b>Programmable Shutter Speed</b>	Controls motion blur, 1ms – 500ms
<b>Motion Detection</b>	Real-time, 1024 detection zones
<b>Privacy Masking</b>	Unlimited
<b>Scaling</b>	Non-integer scaling down to 128x96
<b>Casino Mode™</b>	Maintains 30fps or higher
<b>SNAPstream™</b>	Smart Noise Adaptation and Processing
<b>Flexible Cropping</b>	Resolution windowing down to 1x1 pixel for JPEG and 2x2 pixels for H.264
<b>Backlight Compensation</b>	Multi-matrix white balance
<b>Flicker Control</b>	5 to 255Hz adjustable
<b>Image Rotation</b>	180° image flip
<b>Noise Reduction</b>	Low light noise filter control
<b>Efficiency</b>	Bit rate and bandwidth limitation control
	Bandwidth and storage savings by running at 1/4 resolution
<b>Sharpness</b>	Selectable enhancement level
<b>Miscellaneous</b>	Programmable resolution, brightness, saturation, gamma, tint
	Electronic pan, tilt, zoom (PTZ)

Data Transmission

<b>Compression Type</b>	H.264 MPEG-4, Part 10 ISO/IEC 14496-10 AVC
	21 levels of quality
<b>Network Protocols</b>	RTSP, RTP/TCP, RTP/UDP, HTTP1.0, HTTP1.1, TFTP, DHCP, HTTPS, 802.1x, IPv4
<b>Network Interface</b>	100/1000 Base-T Ethernet
<b>Multi-Streaming</b>	4 non-identical streams

Compliance

<b>Listings</b>	<b>UL CB Scheme:</b> IEC 60950-1(Ed.2), IEC 60950-1(Ed.2); Am.1, IEC 60950-1(Ed.2); Am.2, IEC 60950-22(Ed.1)
<b>FCC Compliance</b>	Title 47, Part 15 (47 CFR 15) Subpart B Class A
<b>Environmental</b>	REACH 1907/2006/EC, WEEE 2012/19/EU
<b>Markings</b>	<b>CE:</b> 2014/30/EU (EMC Directive), 2014/35/EU (Low Voltage Directive), 2011/65/EU (RoHS Directive) EN 55022:2010 Class A, EN 55024:2010, EN 61000-3-2:2006+A1:2009+A2:2009, EN61000-3-3: 2008 EN 60950-1:2006 + A11:2009 + A1:2010 + A12:2011 + A2:2013
<b>Networking Standard</b>	IEEE 802.3af-2003 PoE Standard, Class 3, IPv4, HTTPS, 802.1x
<b>Mechanical</b>	IK-10 (EN62262), IP66 (EN60529)
<b>CoO</b>	Made in the USA

Environmental

<b>Operating temperature</b>	-40°C (-40°F) to +50°C (122°F)
<b>Humidity</b>	0% to 90% (non-condensing)
<b>Stable image temperature</b>	0°C (32°F) to +50°C (122°F)
<b>Storage temperature</b>	-40°C (-40°F) to +60°C (140°F)

Electrical

<b>Alarm Input/Output</b>	General purpose opto-coupled, 1 input / 1 output
<b>Power Over Ethernet</b>	PoE 802.3af, Class 3
<b>Auxiliary Power</b>	12-48V DC, 24V AC
<b>Power Consumption</b>	12.4W / 14.1W (IR on)

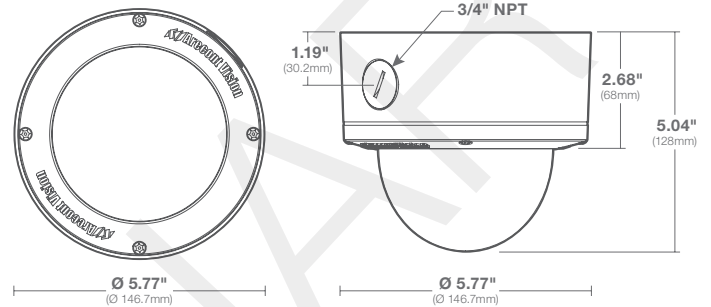
Mechanical

<b>Casing</b>	Die-cast aluminum chassis with 4" polycarbonate dome bubble
	IP66 weather proof standard
	Impact resistant, IK-10 rated
<b>Gimbal</b>	Easily adjustable 3-axis camera gimbal w/360° pan, 75° tilt (+21.5° w/telephoto) and 180° z-axis
<b>Lens</b>	2.8mm board mount (M12), fixed iris, F/2.0
<b>Dimensions</b> <i>(See Dimensions)</i>	<b>Unit</b> Ø 5.77" (146.7mm) x 5" H (128mm)
	<b>Packaged</b> 6" H (150mm) x 7.5" W (190mm) x 8" L (200mm)
<b>Weight</b>	<b>Unit</b> 2.25 lbs (1.02kg)
	<b>Packaged</b> 2.8 lbs (1.27kg)
<b>On Board Storage</b>	SDHC slot up to 32GB (Card not included)

IR Illuminator

12 pcs 850nm LEDs with Adjustable IR / 50ft (15m) IR distance (max) / 60° and 80° IR angle
Total PoE Solution (No external power requirement)

Dimensions



Accessories

<b>AV-CRMA</b>	Corner Mount Adapter
<b>AV-EBA</b>	Electrical Box Adapter
<b>AV-EBAR</b>	Round Electrical Box Adapter
<b>AV-JBA</b>	Junction Box Adapter
<b>AV-PMA</b>	Pole Mount Adapter
<b>AV-PMJB</b>	Pendant Mount
<b>AV-WMJB</b>	Wall Mount Bracket
<b>MD-CAP</b>	Wall Mount and Cap Accessory

## Ordering Information



### Model Numbers

8.3MP	AV08ZMD-400
-------	-------------

### Create Your Model (Example: AV08ZMD-400)

Megapixel Resolution    Generation    Body Type    Compression

