

Cable Runway

Universal-style 250 cable runway. The maximum load capacity when supported every 5' with minimal deflection is 132 Lbs/ft. Welded steel tubing construction, individually boxed.

- Overall length = 10'
- Side stringer = 1.5" x 0.375" x 0.065"
- Cross member = 1.5" x 0.375" x 0.065" welded at 12" intervals
- Available in black (B) or white (W) powder coated finish

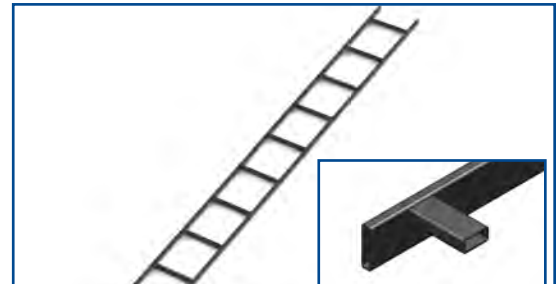


Part Number		Width	Shipping Weight
Black Finish	White Finish		
BLRS250-06B	BLRS250-06W	6"	19 Lbs
BLRS250-12B	BLRS250-12W	12"	24 Lbs
BLRS250-18B	BLRS250-18W	18"	28 Lbs
BLRS250-24B	BLRS250-24W	24"	32 Lbs
BLRS250-30B	BLRS250-30W	30"	37 Lbs
BLRS250-36B	BLRS250-36W	36"	42 Lbs

Telco-Style Cable Runway

Telco-style 252 cable runway. The maximum load capacity when supported every 5' with minimal deflection is 132 Lbs/ft. Welded steel tubing construction, individually boxed.

- Overall length = 10'
- Side stringer = 1.5" x 0.375" x 0.065"
- Cross member = 0.5" x 1" x 0.065" welded at 9" intervals
- Available in black (B) or white (W) powder coated finish

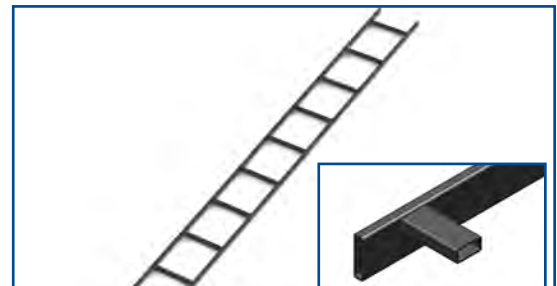


Part Number		Width	Shipping Weight
Black Finish	White Finish		
BLRT252-06B	BLRT252-06W	6"	22 Lbs
BLRT252-12B	BLRT252-12W	12"	24 Lbs
BLRT252-18B	BLRT252-18W	18"	26 Lbs
BLRT252-24B	BLRT252-24W	24"	28 Lbs

UL Classified Cable Runway

UL Classified style 275 cable runway. The maximum load capacity when supported every 5' with minimal deflection is 132 Lbs/ft. Welded steel tubing construction, individually boxed.

- Overall length = 10'
- Side stringer = 1.5" x 0.375" x 0.065"
- Cross member = 0.5" x 1" x 0.065" welded at 9" intervals
- Available in black (B) or gold (G) chemical finish over zinc plating



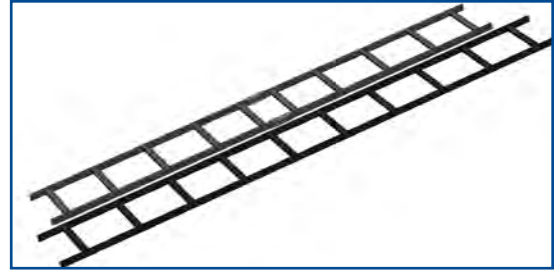
Part Number		Width	Shipping Weight
Black Finish	Gold Finish		
BLRU275-06B	BLRU275-06G	6"	19 Lbs
BLRU275-12B	BLRU275-12G	12"	24 Lbs
BLRU275-18B	BLRU275-18G	18"	28 Lbs
BLRU275-24B	BLRU275-24G	24"	32 Lbs



Quick Ship Cable Runway Bundle

Designed to meet UPS small package shipping requirements.

- (Qty = 2) 5' Universal cable runway; combined length is 10'
- (Qty = 1) Butt-Splice Kit Part Number **BLBS301-15B**
- Available in black (B)



Part Number		Width	Shipping Weight
Black Finish			
BLRQ250-06B		6"	19 Lbs
BLRQ250-12B		12"	23 Lbs

Cable Runway Radius Bend

Creates a gradual bend for cascading cable runs.

- Made of 1.5" x 0.375" tubular steel
- Three cross members welded at approximately 23° increments
- Outside/inside is determined by welding cross members closer to cable side
- Available in black (B) or white (W) powder coated finish



Part Number		Width	Shipping Weight
Black Finish	White Finish		
BLOR723-06B / BLIR724-06B	BLOR723-06W / BLIR724-06W	6"	3 Lbs
BLOR723-12B / BLIR724-12B	BLOR723-12W / BLIR724-12W	12"	4 Lbs
BLOR723-18B / BLIR724-18B	BLOR723-18W / BLIR724-18W	18"	5 Lbs
BLOR723-24B / BLIR724-24B	BLOR723-24W / BLIR724-24W	24"	6 Lbs
BLOR723-30B / BLIR724-30B	BLOR723-30W / BLIR724-30W	30"	7 Lbs
BLOR723-36B / BLIR724-36B	BLOR723-36W / BLIR724-36W	36"	8 Lbs

Cable Runway E-Bend

Creates a 90° gradual sweep in horizontal plane for cable runway runs. Designed for cabling in conformance with minimum bend radius requirements (typically four times the cable diameter). Made of lightweight 1.5" x 0.375" tubular steel to fit standard cable runway.

- Cross members welded at approximately 23° increments
- Conforms to Category 5e/6/6A requirements
- Available in black (B) or white (W) powder coated finish



Part Number		Width	Shipping Weight
Black Finish	White Finish		
BLEB822-12B	BLEB822-12W	12"	12 Lbs
BLEB822-18B	BLEB822-18W	18"	19 Lbs
BLEB822-24B	BLEB822-24W	24"	27 Lbs



Cable Runway Wall to Rack Kit

The Belden cable runway Wall to Rack Kit is a one-part-number solution that provides support for cable between the rack and the wall.

Kit consists of:

- (Qty = 1) 54" cable runway
- (Qty = 1) Wall angle support bracket
- (Qty = 1) Rack to runway mounting plate
- (Qty = 1) Pair of end caps
- (Qty = 3) J-bolt kits (**BLJBK-001**)
- Available in black (B) or white (W) powder coated finish



Part Number		Description	Shipping Weight
Black Finish	White Finish		
Compatible with 3" wide upright equipment rack			
BLRW250-06B	BLRW250-06W	6" Wall to Rack Kit	16 Lbs
BLRW250-12B	BLRW250-12W	12" Wall to Rack Kit	19 Lbs

Wall Angle Support Kit, Cable Runway

2" x 2" x 3/16" (7 Gauge) steel support angle is designed for wall-mounting specific widths of cable runway.

Kit consists of:

- (Qty = 1) wall angle
- (Qty = 2) 5/16"-18 x 2.25" J-bolts
- (Qty = 2) 5/16"-18 hex nuts
- (Qty = 2) 5/16" lock washers
- Available in black (B)



Part Number	Width	Shipping Weight
Black Finish		
BLWAS421-06B	6"	2 Lbs
BLWAS421-12B	12"	3 Lbs
BLWAS421-18B	18"	5 Lbs
BLWAS421-24B	24"	6 Lbs

Butt-Splice Kit

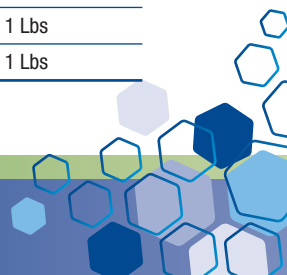
Connect two sections of runway end-to-end. Fits both solid and tubular steel 1.5" x 0.375" and 2" x 0.375".

Kit consists of:

- (Qty = 4) splice plates
- (Qty = 2) 3/8"-16 trimmed head bolts
- (Qty = 2) 3/8"-16 hex nuts
- Available in black (B) and white (W) for non UL, available in black (B) and gold (G) for UL



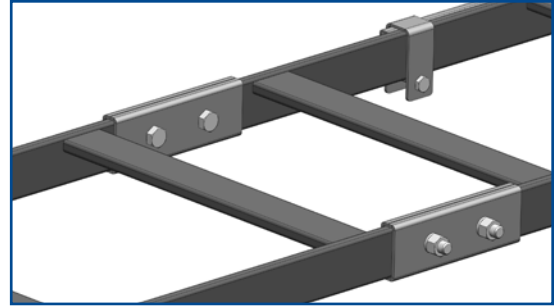
Part Number			Description	Shipping Weight
Black Finish	White Finish	Gold Finish		
BLBS301-15B	BLBS301-15W	-	1.5" x 0.375" (for Universal and Telco style)	1 Lbs
BLBS301-20B	BLBS301-20W	-	2" x 0.375"	1 Lbs
BLBSU301-15B	-	BLBSU301-15G	1.5" x 0.375" (for UL style)	1 Lbs



Heavy-Duty Butt-Splice Kit

For butting two lengths of runway together. Cable runway drilling is required.

- Bolt through Butt-Splice Kit for earthquake areas
Kit consists of:
 - (Qty = 4) splice plates for 1.5" stringers
 - (Qty = 4) 3/8"-16 x 1.25" cap screws
 - (Qty = 4) 3/8"-16 hex nuts
 - Available in black (B)



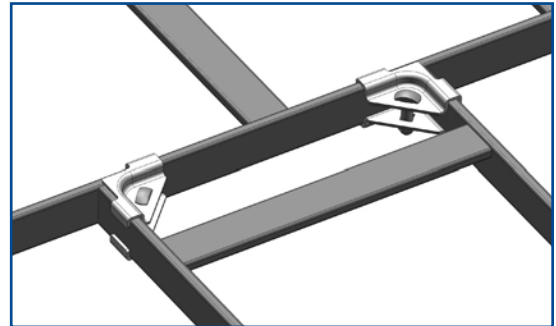
Part Number	Width	Shipping Weight
Black Finish		
BLBSH299-15B	Heavy-Duty Butt-Splice Kit	3 Lbs
BLBSHU299-15B	UL Classified Butt-Splice Kit	3 Lbs

Junction-Splice Kit

Used to create a 90° junction splice with all types of 1.5" x 0.375" or 2" x 0.375" cable runway.

Kit consists of:

- (Qty = 4) corner clamp plates
- (Qty = 2) 3/8"-16 x 1" long trimmed head bolts
- (Qty = 2) 3/8"-16 hex nuts
- (Qty = 2) 3/8" split lock washers
- Available in black (B)



Part Number	Width	Shipping Weight
Black Finish		
BLJS302-15B	Junction-Splice Kit 1.5" x 0.375" Stringer	1 Lbs
BLJS302-20B	Junction-Splice Kit 2" x 0.375" Stringer	1 Lbs
BLJSU302-15B	UL Classified Junction Kit 1.5" x 0.375" Stringer	1 Lbs

Heavy-Duty Junction-Splice Kit

Bolt-through Junction-Splice Kit for vertical runs or seismic requirements. Cable runway drilling is required.

- Material is 2" x 2" x 0.1875" steel angle
Kit consists of:
 - (Qty = 2) splice angles
 - (Qty = 4) 3/8"-16 x 1.25" hex cap screws
 - (Qty = 4) 3/8"-16 hex nuts
 - (Qty = 4) 3/8"-16 split lock washers
 - Available in black (B)



Part Number	Width	Shipping Weight
Black Finish		
BLJSH298-15B	Heavy-Duty Junction Kit	3 Lbs
BLJSHU298-15B	UL Classified Junction Kit	3 Lbs



90° Runway-Splice Kit

Designed to butt splice 1.5" x 0.375" cable runway at a 90° angle.

Kit consists of:

- (Qty = 2) 90° outside clamps
- (Qty = 2) inside edge clamps
- (Qty = 2) 3/8"-16 x 2.50" trimmed round head, square neck bolts
- (Qty = 2) 3/8"-16 hex nut and lock washer
- Available in black (B)



Part Number	Width	Shipping Weight
Black Finish		
BLRSK314-90B	90° Runway-Splice Kit	1 Lbs
BLRSK314-9UB	90° Runway-Splice Kit UL Classified	1 Lbs

45° Runway-Splice Kit

Designed to butt splice 1.5" x 0.375" cable runway at a 45° angle.

Kit consists of:

- (Qty = 2) 45° outside clamps
- (Qty = 2) inside edge clamps
- (Qty = 2) 3/8"-16 trimmed round head, square neck bolts
- Available in black (B)



Part Number	Width	Shipping Weight
Black Finish		
BLRSK313-45B	45° Runway-Splice Kit	1 Lbs
BLRSK313-4UB	45° Runway-Splice Kit UL Classified	1 Lbs

Adjustable Junction-Splice Kit

Designed for use with 1.5" x 0.375" cable runway, adjusts to form any junction angle, electrical, etc.

Kit consists of:

- (Qty = 4) adjustable corner plates
- (Qty = 2) 3/8"-16 x 2" hex cap screws
- (Qty = 2) 3/8"-16 hex nuts
- (Qty = 2) 3/8"-16 split lock washers
- Available in black (B)

Note: Requires one kit to attach one end of cable runway



Part Number	Width	Shipping Weight
Black Finish		
BLAJS616-00B	Adjustable Junction-Splice Kit	2 Lbs



Swivel Splice Kits

Splices cable runway vertically, horizontally or perpendicularly. Adjusts to any angle, not limited to 45° or 90°. Flexible swivel design simplifies cable runway installation by making it easier to route around existing plumbing, electrical, etc. Steel material. Hardware and instructions are included.

Butt-Swivel (487) Kit consists of:

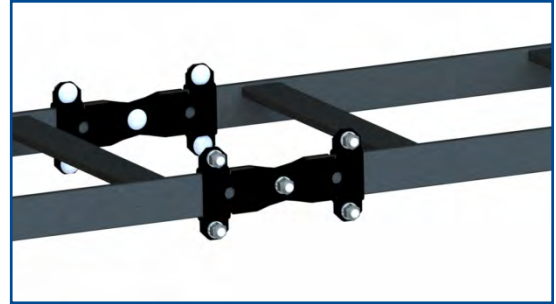
- (Qty = 8) bracket ends
- (Qty = 8) 5/16"-18 x 0.75" round head square, neck bolts
- (Qty = 2) 5/16"-18 x 1" round head square, neck bolts
- (Qty = 10) 5/16"-18 x 1" hex nuts, split lock washers
- Available in black (B)

Junction-Swivel (488) Kit consists of:

- (Qty = 4) bracket ends
- (Qty = 2) bracket supports and plate clamps
- (Qty = 2) 5/16"-18 x 1" round head square, neck bolts
- (Qty = 8) 5/16"-18 x 0.75" round head square, neck bolts
- (Qty = 10) 5/16"-18 hex nut, split lock washers
- Available in black (B)

Vertical-Swivel (489) Kit consists of:

- (Qty = 4) bracket ends
- (Qty = 2) bracket clamps and plate clamps
- (Qty = 2) 5/16"-18 x 1" round head, square neck bolts
- (Qty = 6) 5/16"-18 x 0.75" round head, square neck bolts
- (Qty = 8) 5/16"-18 hex nuts, split lock washers
- Available in black (B)



Butt Swivel



Junction Swivel



Vertical Swivel

Part Number	Description	Shipping Weight
Black Finish		
BLBSS487-00B	Butt-Swivel Splice Kit	1 Lbs
BLJSS488-00B	Junction-Swivel Splice Kit	1 Lbs
BLVBS489-00B	Vertical-Swivel Splice Kit	1 Lbs
BLBSS487-0UB	UL Classified Butt-Swivel Splice Kit	1 Lbs
BLBSS488-0UB	UL Classified Junction-Swivel Splice Kit	1 Lbs
BLVBS489-0UB	UL Classified Vertical-Swivel Splice Kit	1 Lbs



Cable Runway Corner Bracket

Creates a radius for L-, T- or X-shaped intersections of cable runway formed when two or more pieces of cable runway are connected together with the Junction-Splice Kit (**BLJS302-15B** or **BLJSU302-15B**) or Heavy-Duty Junction-Splice Kit (**BLJSH298-15B**).

- Single-piece welded assembly fabricated from 0.375" x 1.5" x 0.065" wall rectangular steel tubing
- Easy installation; brackets/hardware included
- Available in black (B) or white (W) powder coated finish



DIM		BLCSB959-15B	BLCSB959-24B
A		15"	24"
B		15"	24"

Part Number		Description	Shipping Weight
Black Finish	White Finish		
BLCSB959-15B	BLCSB959-15W	15" Corner Bracket	4 Lbs
BLCSB959-24B	BLCSB959-24W	24" Corner Bracket	6 Lbs

Triangular Support Bracket, Aluminum

Provides wall support for cable runway. Made of 0.25" x 2" aluminum bar. Load rating is 100 Lbs.

Kit consists of:

- (Qty = 1) triangular bracket
- (Qty = 2) 5/16"-18 x 2.25" J-bolts
- (Qty = 2) 5/16"-18 hex nuts & split washers
- Available in black (B)



Part Number	Width	Shipping Weight
Black Finish		
BLTSB312-06B	4" to 6"	2 Lbs
BLTSB312-12B	6" to 12"	3 Lbs
BLTSB312-18B	12" to 18"	3 Lbs

Triangular Support Bracket, Steel

Provides wall support for cable runway. Made of cold-rolled steel. Load rating is 400 Lbs.

Kit consists of:

- (Qty = 1) vertical wall-mounting bracket
- (Qty = 1) runway support channel
- (Qty = 1) angle support channel
- (Qty = 3) clevis pins (5/16" diameter) & cotter pins
- (Qty = 2) 5/16"-18 x 2.25" J-bolts
- (Qty = 2) 5/16"-18 x hex nuts & split washers
- Available in black (B)



Part Number	Width	Shipping Weight
Black Finish		
BLTSB746-12B	6" to 12"	5 Lbs
BLTSB746-18B	18"	8 Lbs
BLTSB746-24B	24"	9 Lbs



3" Channel Rack-to-Runway Mounting Plate

Secures cable runway to the top of standard rack and universal rack. Mounts either parallel or perpendicular.

- Material is 11 gauge steel

Installation best practice includes Runway Elevation Kit.

Kit consists of:

- (Qty = 1) mounting plate
- (Qty = 4) 5/16"-18 x 2.25" J-bolts
- (Qty = 4) 5/16"-18 hex nuts
- (Qty = 4) 5/16" split lock washer
- Available in black (B)



Part Number	Width	Shipping Weight
Black Finish		
BLRTR595-9B	9" - 12"	3 Lbs
BLRTR595-15B	15" - 18"	4 Lbs

Cable Runway Elevation Kit

Supports cable runway above a continuous row of two and four post racks or cabinets of varying heights, and provides additional space between the tops of the racks or cabinets and the cable runway, which can create smoother cable transitions.

- Three ranges of incremental elevation
- Can be mounted perpendicular or parallel
- Rack kit includes a single pair of brackets and assembly hardware
- Rack kits attach to the top of the rack with a Rack-to-Runway Mounting Plate (**BLRTR595-9B, -15B**), sold separately
- Cabinet kits include two pairs of brackets and assembly hardware
- Cabinet kits attach directly to the top of the cabinet
- Available in black (B)



Rack	Shipping Weight	Cabinet	Shipping Weight
Black Finish		Black Finish	
2", 2.5", 3" Elevation			
BLREK506-02B	2 Lbs	BLREK506-12B	2 Lbs
4", 5", 6" Elevation			
BLREK506-04B	2.4 Lbs	BLREK506-16B	2.4 Lbs
10", 11", 12" Elevation			
BLREK506-10B	3 Lbs	BLREK506-18B	3 Lbs

Cable Runway Standoff Support Kit

Allows the attachment of cable runway 12" directly above and either parallel or perpendicular to existing cable runway. Each kit consists of the following items: two steel angle pieces, four steel brackets and eight sets of nuts, bolts and washers. The angle pieces are black.



Part Number	Description	Shipping Weight
Black Finish		
BLRSS470-12B	12" Standoff Support Kit	1 Lbs

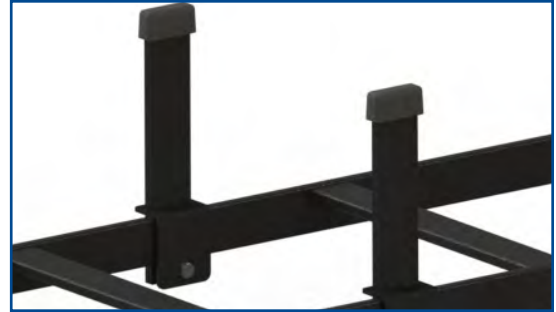


Retaining Post For Cable

The retaining post is compatible with Universal, Telco and UL runways and allow for extra cable routing capacity.

Kit consists of:

- (Qty = 1) Post, bracket, and end cap
- (Qty = 1) 1/4"-20 x 1.25" hex cap screw, split lock washer and hex nut
- Available in black (B)



Part Number	Description	Shipping Weight
Black Finish		
BLCRP596-06B	Cable Retaining Post, 6", Qty = 1	1 Lbs
BLCRP596-56B	Cable Retaining Post, 6", Qty = 50	29 Lbs

Cable Runway Closing Kit

The cable runway closing kit is used to the close end of a runway. Compatible with Universal style 250, Telco style 252 and UL style 275.

Kit consists of:

- (Qty = 1) end closing bar
- (Qty = 4) corner clamp plates
- (Qty = 2) 3/8"-16 x 1.25" bolts
- (Qty = 2) 3/8" hex nuts
- Available in black (B), white (W) or gold (G) chemical finish over zinc plating



Part Number			Width	Shipping Weight
Black Finish	White Finish	Gold Finish		
BLCKE700-06B	BLCKE700-06W	BLCKE700-06G	6"	2 Lbs
BLCKE700-12B	BLCKE700-12W	BLCKE700-12G	12"	3 Lbs
BLCKE700-18B	BLCKE700-18W	BLCKE700-18G	18"	4 Lbs
BLCKE700-24B	BLCKE700-24W	BLCKE700-24G	24"	5 Lbs

Cable Runway End Cap

Covers, protect exposed end of runway. Compatible with Universal style 250, Telco style 252 and UL style 275. Black, plastic material.

Kit consists of:

- (Qty = 2) end CAP



Part Number	Description (Used With:)	Shipping Weight
BLPEC642-002	Protective End Caps for 1.5" X 0.375" Stringer (Pair)	1 Lbs



Vertical Wall Brackets

Used to secure Cable Runway with 1.5" x 3/8" stringers to a wall. Sold in pairs.

- Wall mounting hardware not included
- Available in black (B)



Part Number	Description	Shipping Weight
Black Finish		
BLVWB608-00B	Vertical Wall Bracket, Pair	1 Lbs

Cable Runway Pipe Stand

Pipe stand allow support of runway from the floor.

Kit consists of:

- (Qty = 1) floor flange
- (Qty = 1) appropriate length of 2" pipe
- (Qty = 1) pipe cap, center drilled and tapped for a 5/8"-11 threaded rod (**BLTR440**, not included)
- (Qty = 3) 5/8"-11 hex nuts
- (Qty = 3) 5/8" split lock washers
- (Qty = 4) 1/4"-20 x 1.5" studs
- (Qty = 4) 1/4"-20 concrete anchors
- (Qty = 4) 1/4"-20 hex nuts
- (Qty = 4) 1/4" type B washer
- Available in black (B)



Part Number	Height	Shipping Weight
Black Finish		
BLPSR684-79B	79"	16 Lbs
BLPSR684-85B	85"	18 Lbs
BLPSR684-91B	91"	20 Lbs

Framing Clamp Kit

Allows runway attachment to pipe stand.

- Include a pair of bracket and hardware
- To install, you will need 5/8" threaded rod (**BLTR440-002**)
- Available in black (B)



Part Number	Description	Shipping Weight
Black Finish		
BLCBK609-001B	Clamp Bracket Kit, Pair	0.3 Lbs



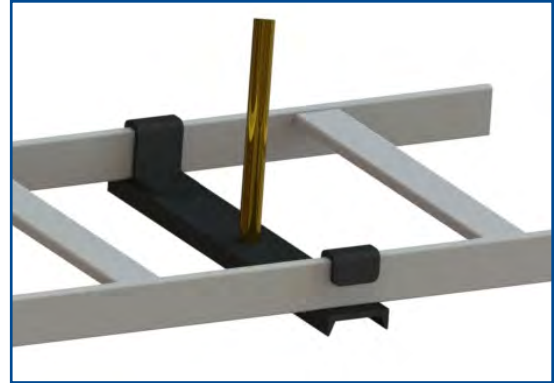
Runway Center Support Kit

Used to attach cable runway to auxiliary framing.

Kit consists of:

- (Qty = 1) support bracket
- (Qty = 1) reinforcement bar
- (Qty = 2) 5/8"-11 hex nuts
- (Qty = 1) 5/8"-11 split lock washers
- (Qty = 1) 12" L threaded rod cover
- (Qty = 1) J-bolt kit (2 J-bolts; 2 nuts; 2 washers)
- Available in black (B)

Note: Kit does not include threaded rod



Part Number	Description	Shipping Weight
Black Finish		
BLCSK362-06B	Center Support Kit, Cable Runway, 6"	2 Lbs
BLCSK362-12B	Center Support Kit, Cable Runway, 12"	3 Lbs
BLCSK362-18B	Center Support Kit, Cable Runway, 18"	4 Lbs
BLCSK362-24B	Center Support Kit, Cable Runway, 24"	5 Lbs

Ceiling Attachment Kit

The ceiling attachment kit is used to suspend the runway from the ceiling. Made of steel with gold over zinc plated plating finish.

Kit consists of:

- (Qty = 1) ceiling bracket
- (Qty = 1) 3/8"-16 x 6' or 5/8"-11 x 6' rod
- (Qty = 1) Support bracket for compatible with type 250, 252, 275 style runway
- (Qty = 4) 3/8"-16 or 5/8"-11 hex nuts

Note: The recommended spacing between the ceiling attachment kit is 5'.

The ceiling hole diameter is 0.375" for 0.375" rod kit and 0.500" for 0.625" kit

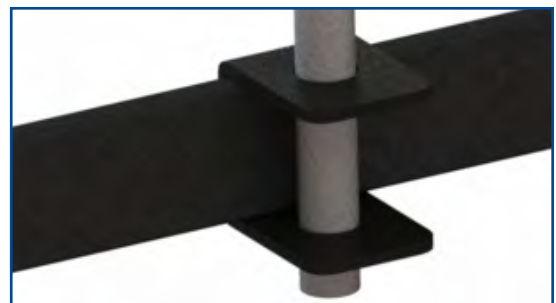


Part Number	Description	Shipping Weight
BLTCK310-38	Ceiling Attachment Kit 3/8" Rod	3 Lbs
BLTCK310-58	Ceiling Attachment Kit 5/8" Rod	7 Lbs

Support Bracket For Runway

Used do secure threaded rod to runway.

- Available in black (B)



Part Number	Description	Shipping Weight
Black Finish		
BLRSB408-038B	Runway Support Bracket for 3/8" Rod	0.1 Lbs
BLRSB408-058B	Runway Support Bracket for 5/8" Rod	0.1 Lbs



Ceiling Support Bracket

Used do secure threaded rod to ceiling.

- Available in black (B)

Note: hardware not included



Part Number	Description	Shipping Weight
Black Finish		
BLCSB406-038B	Ceiling Support Bracket for 3/8" Rod	1 Lbs
BLCSB406-058B	Ceiling Support Bracket for 5/8" Rod	1 Lbs

Threaded Rods

Use to suspend runway from the ceilings.

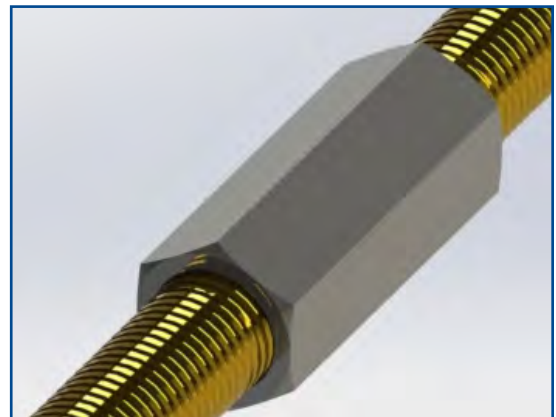
- Gold over zinc plating



Part Number	Description	Shipping Weight
BLTR440-001	Threaded Rod, 3/8"-16 UNC, 6 Long	2 Lbs
BLTR440-003	Threaded Rod, 3/8"-16 UNC, 12' Long	5 Lbs
BLTR440-002	Threaded Rod, 5/8"-11 UNC, 6' Long	5 Lbs
BLTR440-004	Threaded Rod, 5/8"-11 UNC, 12' Long	10 Lbs

Coupler For Threaded Rod

Allow coupling of two threaded rod



Part Number	Description	Shipping Weight
BLCR697-038	Coupler (1) for Threaded Rod, 3/8"-16	0.3 Lbs
BLCR697-058	Coupler (1) for Threaded Rod, 5/8"-11	0.3 Lbs



Threaded Rods Cover

Use to cover threaded rods and protect cables

- Black plastic tubing, ID = 0.630"

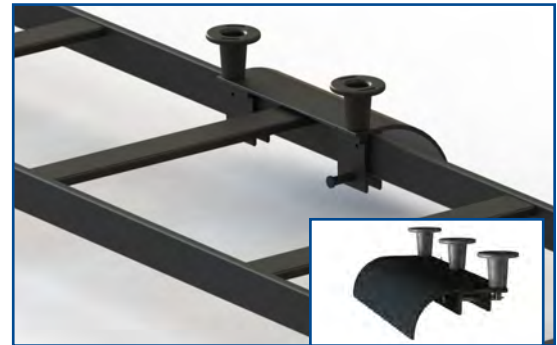


Part Number	Description	Shipping Weight
BLTRC085-010	Threaded Rod Cover, 10' Long	5 Lbs

Cable Runway Radius Drop

Mounts to the side stringer or cross member of cable runway to help maintain proper Category 5e/6/6A or fiber bend radius.

- Quick and easy installation
- Cross member radius drop (**BLRRD100-XXX**) fits 6", 12" and 18" W cross member tubing on Universal Runway (Series 250)
- Stringer Radius Drop (**BLRRD101-XXX**) attaches to the side of the runway
- Provides 3" bend radius
- Available in black (B)



Runway Radius Drop, Cross Member			
Part Number	Cable Runway Width	Product Width	Cable Spools
Black Finish			
BLRRD100-06B	6"	5"	2 ea.
BLRRD100-12B	12"	11"	3 ea.
BLRRD100-18B	18"	17"	3 ea.

Runway Radius Drop, Cross Member			
Part Number	Cable Runway Width	Product Width	Cable Spools
Black Finish			
BLRRD101-11B	Universal	5"	2 ea.
BLRRD101-12B	Telco	8"	2 ea.
BLRRD101-13B	Misc.	11"	3 ea.

Movable Cross Member

Movable cross member allows for cable droppings combined with the radius drop where the cabinet or cable manager below does not align with the fixed cross member of the cable pathway.

- Fits on 12" and 18" cable pathway
- Can be used with Radius Drop Kit
- Includes hardware and bracket to mount to stringers
- Available in black (B) or white (W) powder coated finish



Part Number		Description	Shipping Weight
Black Finish	White Finish		
BLMC115-12B	BLMC115-12W	12"	2 Lbs
BLMC115-18B	BLMC115-18W	18"	3.5 Lbs



Cable Spool Divider Kit

Separates cables for improved cable management. Bracket is mounted to cross sections anywhere you like from left to right. Kit includes 5 units. Cable spool is 4" tall made of plastic; bracket is made of steel.

- Available in black (B)



Part Number	Used With	Qty/Kit
Black Finish		
BLDU-05B	Universal Style 250 Runway	5 pcs
BLDT-05B	Telco Style 252 and UL Style 275 Runways	5 pcs

J-Bolt Kit, Auxiliary Framing Channel/Rack Top Bar

Used to attach a 2" x 1" auxiliary framing channel to a 1.5" equipment rack top bar.

- Gold over zinc plating
- Kit consists of:
- (Qty = 1) ¼" x 1" x 3.5" cold-rolled steel plate
- (Qty = 2) 5/16"-18 x 3.25" J-bolts
- (Qty = 2) 5/16"-18 hex nuts and split lock washers

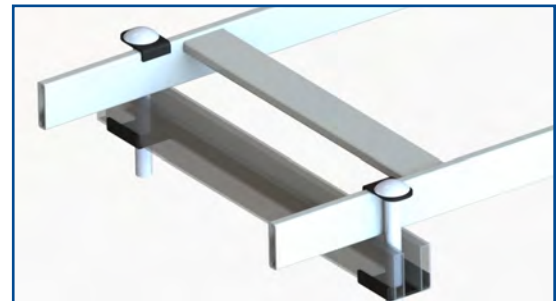


Part Number	Description	Shipping Weight
BLJBK-002	J-Bolt Kit	1 Lbs

J-Bolt Clip Kit, Auxiliary Framing Channel/Cable Runway

For fastening cable runway to auxiliary framework. Material is steel finished.

- Gold over zinc plating
- Kit consists of:
- (Qty = 2) clip J-bolt
- (Qty = 2) ½"-13 split lock washer
- (Qty = 2) ½"-13 hex nut



Part Number	Description	Shipping Weight
BLJBC-001	J-Bolt Clip Kit for 3/8" x 2" Bar	1 Lbs
BLJBC-002	J-Bolt Clip Kit for 5/8" x 2" Channel	1 Lbs
BLJBC-003	J-Bolt Clip Kit for 1" x 2" Channel	1 Lbs



Clip J-Bolt, Auxiliary Framing Channel/Cable Runway

Used to attach cable runway to auxiliary framing.

- Sold individually
- Gold over zinc plating
- Kit consists of:
- (Qty = 1) ½"-13 lock nut
- (Qty = 1) ½" split lock washer



Part Number	Description	Shipping Weight
BLJBC-004	J-Bolt Clip ½"-13 x 4.375" (Qty = 1)	1 Lbs
BLJBC-005	J-Bolt Clip ½"-13 x 4.875" (Qty = 1)	1 Lbs

J-Bolt Kit, Auxiliary Framing Channel/Wall Angle Support

Used to attach a 2" x 1" auxiliary framing channel to a wall angle support.

- Gold over zinc plating
- Kit consists of two each:
- ¼"-20 x 1.75" J-bolts
- ¼"-20 hex nuts
- ¼" split lock washers



Part Number	Description	Shipping Weight
BLJBK-001	J-Bolt Kit	1 Lbs

J-Bolts (Hook Bolt, Round Bend), Auxiliary Framing Channel/Cable

Used to bolt cable runway, auxiliary framing channels and/or bars together.

- Gold over zinc and black zinc plate finish
- Includes nut and split lock washer
- Commercial grade, kits sold individually



Part Number	Nominal Size	Length	Opening	Shipping Weight
BLJB-001	¼"-20	1.75"	7/32"	1 Lbs
BLJB-002	¼"-20	2"	7/32"	1 Lbs
BLJB-003	5/16"-18	2.25"	7/16"	1 Lbs
BLJB-004	5/16"-18	2.75"	7/16"	1 Lbs
BLJB-005	5/16"-18	3.25"	7/16"	1 Lbs
BLJB-006	5/16"-18	3.75"	7/16"	1 Lbs
BLJB-007	5/16"-18	3.75"	7/16"	1 Lbs
BLJB-008	5/16"-18	6.2"	7/16"	1 Lbs