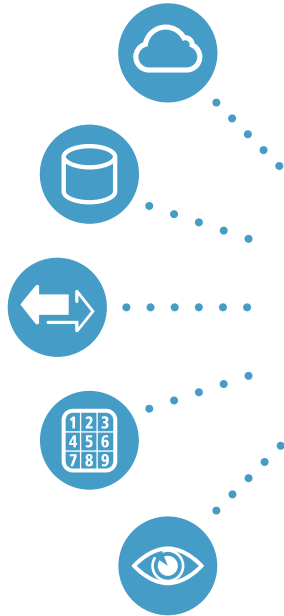


# Iris Recognition Reader



iCAM7101S-B\*  
Black color



iCAM7111S-H1T\*  
Titanium color

\*See complete list of model options

## Access Control and Time & Attendance



## Transportation Solutions



## Workforce Management Solutions

Iris ID's IrisAccess solutions continue to set the highest standard for performance and versatility for iris recognition. Whether you are looking for a single biometric identification solution, or a multi-factor verification solution that works with cards, card readers or keypad solutions, the IrisAccess platform will meet your needs.

Iris ID has been the leader and key developer and driver of the commercialization of iris recognition technology for the past 18 years. The IrisAccess® System continues to lead the market as the world's most advanced and most widely deployed iris recognition platform.

The iCAM 7S series has features no other iris system offers. The iCAM 7S enables rapid iris acquisition with greater image quality for superior enrollment and recognition. The patented holographic targeting mirror is just one part of an intuitive and interactive interface that includes voice and visual feedback for increased speed. All models feature the robust Iris ID countermeasure package that experts agree sets the standard in the industry.

The new iCAM 7S series is a leap forward with larger system capacity and even easier to use. A larger targeting mirror and Auto-tilt assist allows touchless operation. The iCAM 7S models will operate in highly lighted areas – ( up to 17,000 lux).

Iris ID's biometric solutions provide highly accurate, non-contact identification by the iris of the eye from 14 inches away while delivering security, convenience, privacy and productivity to millions of people around the world. The iCAM 7S versatility and flexibility allows for easy integration with any Wiegand or IP network based access control, time and attendance, visitor management or point of sale applications.

Engineering and design teams have further enhanced the intuitive user interface of the iCAM series with visual and audible prompts that provide the easiest, quickest and most accurate iris enrollment and identification. A new, rapid, auto-tilt capability further enhances speed and convenience with a simple touch or when combined with cards or PINs to adjust for height. A face image can also be obtained during enrollment to streamline badging and visitor management applications while a space for an optional surveillance camera has also been incorporated.

All iCAM models are supported by a comprehensive iData IrisAccess EAC software suite for access control. Software development toolkits allow partners to build customized identity management applications.

Every iris pattern is unique and stable for life and since there are more readily measurable characteristics in the iris. Iris recognition is regarded to be the most accurate, fastest, and scalable option for both small and large scale biometric deployments. Other biometric modalities such as fingerprint, hand, voice, vein and facial characteristics can often vary and change over time or with use conditions.

## iCAM7S series

Advanced Multifactor Biometric Iris Reader

### BENEFITS

- High Accuracy 1:N and 1:1 Capability
- High Speed - High Throughput
- Exceptional Flexibility and Ease of Integration
- Non-contact - Clean and Hygienic

### ARCHITECTURE

- Optional Identity control panels (ICU7000-2) and Iris Enroll and matching software (Iris Access EAC) may be required depending on the project requirements.

- On board Time & Attendance Functions
- Anti-fraud: Fake iris detection
- Full set of contactless technologies including NFC

### FEATURES

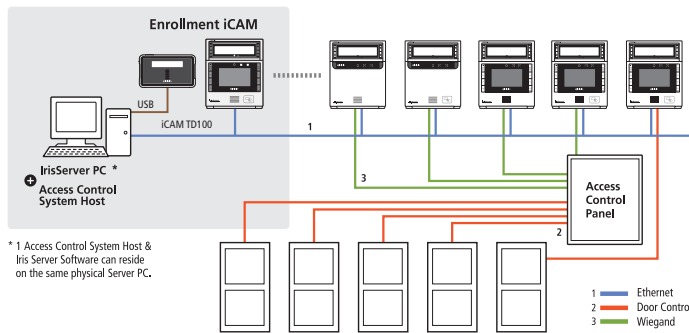
- Fast Fully Automatic Dual Iris Capture
- Easy Non-intrusive, Non-contact User Interface
- Integrated High Resolution Face Capture Camera
- Integrated Contactless Smart Card Reader (Option)
- Leverage Existing Infrastructure
- Capacity for Optional Third-party Surveillance Camera
- Easy Installation and Maintenance
- Backwards Compatible with IrisAccess 4000 and 7000 Systems
- Remote Management
- Stand-alone Door Access Capability
- Time and Attendance Ready
- Flush or Recess Mounting
- Capable of 1:N Matching of Millions Depending on Architecture



# Basic System Configuration

The IrisAccess platform consists of iDATA EAC (Entry Access Control) enrollment and matching software as well as the award winning IrisAccess iCAM hardware. Individual hardware components can be easily configured. Many settings and options allow flexibility to meet application specific requirements and changing operational modes.

## Sample IrisAccess Configuration



\* 1 Access Control System Host & Iris Server Software can reside on the same physical Server PC.

The configuration above illustrates the iCAM 7S connected to a conventional Card Access System. Many operational variations are possible.

## Key Features

iCAM 7S Iris Readers all reside on a TCP/IP network for device management. A wide array of input/output (I/O) connections are provided on all iCAM7 models which enable connection to virtually any third party system. iCAM 7S Provides both reader and controller capability in a single device. This design allows for a simple setup procedure and long term system stability eliminating any single point of failure affecting the entire system operation. Operation can also be administered completely standalone via on-device Enrollment, thus eliminating the need to install any software on a PC in some configurations. iCAM 7S provides both Security and Convenience. Readers can be configured for virtually any combination using Iris Biometrics, Cards or Pins. This allows for the highest level of security or the greatest level of convenience depending on the application use case requirement.

## Recognition Modes

1:N Identification, 1:1 verification with Iris + Card or PIN, 1:1 with Iris template encrypted on a Smart Card, Iris or Card or Pin

### Additional Software Options Available:

- Iris ID has a number of other options for greater system flexibility and database integrations.
- iData EAC Toolkit Database Interface – COM API SDK
- USB Camera Enrollment Application
- Data Migration & Synchronization tools
- IA Punch Service - Used in many Time & Attendance installations.
- IA Reporting Application – Robust
- Ask your Iris ID sales representative for a comprehensive overview of the available tools.
- Iris ID is ready to provide Professional Services to address your particular business needs.

### iData™ EAC Software Requirement & Features

Simple and flexible administrative user interface for enrollment.

System Requirement:

- Windows 2000/XP, Windows Vista, Windows 7, Windows 8.1, Windows 10, Windows 2008 & 2012 server Pentium Compatible 1.8 (or higher) GHz Processor
- 2 GB or higher Memory (OS dependent) – 10 GB Hard Disk space (or greater)
- CD/DVD Drive (For Software Installation) – Ethernet Port (100 Mbps recommended)
- Databases Supported – MS Access, MS SQL, MS SQL Express, Oracle
- See <http://www.irisid.com>

## Iris ID Algorithm

Iris ID is recognized as the world leader for iris identification accuracy. The Iris ID algorithm is recognized and tested by NIST. The superior onboard quality assessment and countermeasures suite assures reliable and consistent performance.

## Safety and Standards Compliant

Iris ID's success as a designer and manufacturer of high quality iris recognition for over 18 years is reflected by the adoption of Iris ID products and our global leadership. Continuous I review of market needs, human factors requirements and applying precise engineering enable Iris ID to deliver market leading solutions. Iris ID products have always met or exceeded all US and international eye safety requirements. The optics and subtle illumination produced by IrisAccess products have been thoroughly tested and found to fall well within UL and ANSI eye safety standards. The full line of Iris ID Iris Readers and Cameras are tested and comply with the most stringent safety standards: IEC 67421, UL294 ETL, and CE. Iris ID Cameras also conform to ISO 29794-6 Iris Interchange Standards.

## System Security

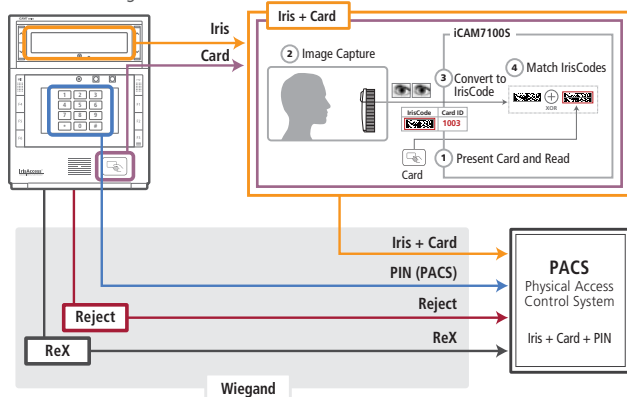
Iris ID iCAM 7S Iris Readers include an array of security features which improve network communication and database protection. Digital certificates and standards based encryption are all a part of IrisAccess solutions.

## Multi-factor Authentication

Multi-factor authentication can be easily accomplished by using a combination of EAC software, iCAM 7S units with built in keypad and card readers (or third party readers) and leveraging a third party Physical Access Control System (PACS) that can support Card + PIN as an authentication mode. The result is authentication by Card + Iris + PIN. All iCAM models can be used with preinstalled external readers that output wiegand to offer 2 and 3 factor authentication options. Specific settings can be found in the iCAM7 series user guide under multi-factor authentication options.

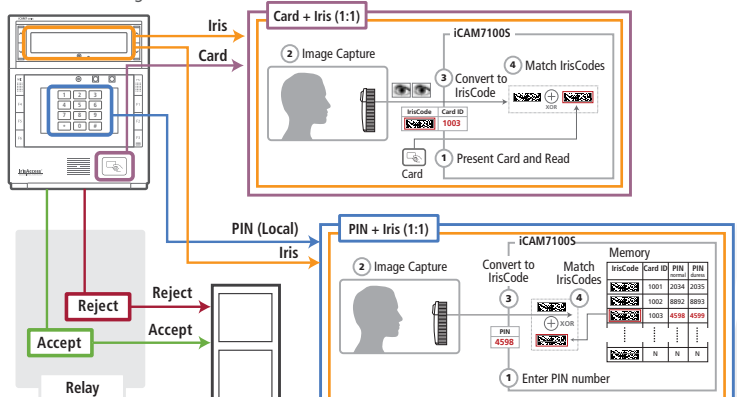
### 3 Factor Authentication: iCAM 7S\* with PACS System (PACS PIN)

Functional Diagram



### 2 Factor Authentication: iCAM 7S\* without PACS System (Local PIN)

Functional Diagram



\* See complete list of model with options for LCD Keypad and Card reader functions.

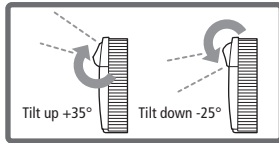
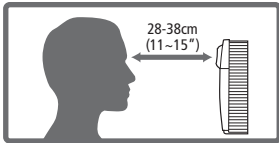
## iCAM 7S series Unit Model Matrix

Model Number	LCD Display / On-Screen Pin Pad	Card Reader	Color
iCAM7000S-B	No	No	Black ●
iCAM7000S-T	No	No	Titanium ●
iCAM7010S-H1B	No	Yes	Black ●
iCAM7010S-H1T	No	Yes	Titanium ●
iCAM7101S-B	Yes	No	Black ●
iCAM7101S-T	Yes	No	Titanium ●
iCAM7111S-H1B	Yes	Yes	Black ●
iCAM7111S-H1T	Yes	Yes	Titanium ●
Accessories	Description	Color	
iCAM7-RMB	Recess Mount Kit	Black ●	
iCAM7-RMT	Recess Mount Kit	Titanium ●	
iCAM7-ST	Desktop Stand	Black ●	
iCAM7-PWR	Power Supply	Black ●	
Third Party Accessories	Description		
STI-7520	NEMA 4 Enclosure		
STI-7520HTR	NEMA 4 Enclosure with Heater		

## Use of IrisAccess



## User Interface



- iCAM activates when user approaches or when card is presented.
- Picture capture range is 11~15 inches (28~38cm) away.
- Self or auto/set tilt adjustment.
- Positioning dot over the bridge of nose, easily helps alignment.

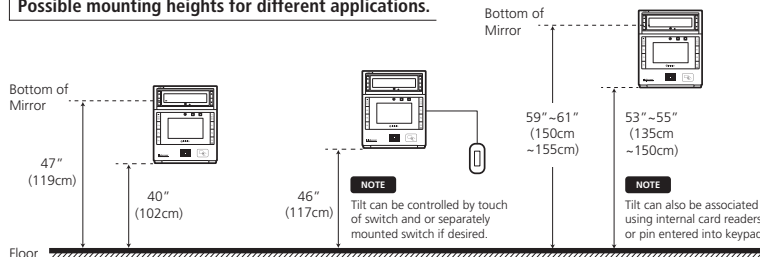
- Orange ● turns to green ● when user is at correct distance.
- Visual indication is complemented with friendly audio prompts.
- Right and left iris images are acquired.
- A face picture can also be captured.

## Installation and Dimension

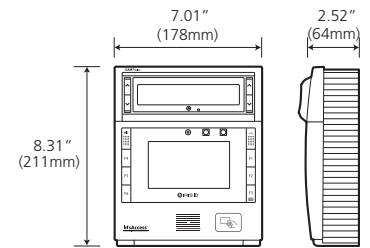
Iris Camera Mounting Height should take into consideration the environment and specific application. Taller people can always bend slightly at the waist or look down at a fully tilted up camera.

Shorter people may require some consideration and thought by the installers. The iris camera can be mounted lower. An external tilt switch can also be used to aid in tilting of camera target mirror.

### Possible mounting heights for different applications.



Suggested Mounting Heights only. Height should take into consideration the users and the read range of 11-15 inches away from the front of the mirror. Taller people have more flexibility to look or bend down slightly. The cameras should be at a comfortable height where shorter people can comfortably use the technology.



Suggested mounting height and dimensions. Surface Mount: Back plate included. Recess Mount: Recess/Trim kit sold separately.

## Eye Safety

Iris ID's success as a designer and manufacturer of high quality iris recognition solutions for over 18 years is reflected by the global leadership and adoption of Iris ID products. Continuous review of market needs, human factors requirements and precise engineering enable Iris ID to deliver market leading solutions. Iris ID products have always met or exceeded all US and international eye safety requirements. The optics and subtle illumination produced by IrisAccess products have been thoroughly tested and found to fall well within UL and ANSI eye safety standards.

### iData™ EAC Software Features

- Enrollment:** Simple and flexible administrative user interface for enrollment.
- Setup:** Improved software setup and configuration tools for ease of installation.
- Reporting:** Individuals are identified as their biometrics are presented. Transactions are stored in the system log and can be downloaded by a system administrator. Logs can also be integrated into an HR time keeping system. IrisMonitor™ provides real time access reporting for multiple iCAM7 series devices.

## iCAM 7S series Specifications

Dimensions (W x H x D)	7.01" x 8.31" x 2.52" (178mm x 211mm x 64mm)
Weight	3.5lbs (1.6kg)
Power Input / Consumption	12~24 VDC, 2.0 Amps @ 12 VDC / 24W
Status LED	Multi Color - Red, Green, Blue for status and alarm indication
Iris Operating Range Indicator	Dual Color - Orange (out of range), Green (in range)
Voice Indication	English and Korean standard, other languages available
Iris Capture Range	11" ~ 15" (28cm~38cm)
User Input	Six user definable Function Keys (iCAM7101S, iCAM7111S)
Touch Screen LCD Display	4.3" / 480 x 272 pixels (iCAM7101S, iCAM7111S)
Pin Pad	Pop-up on screen pin pad (iCAM7101S, iCAM7111S)
Flash	High output LED flash for face capture
Face Image Camera	Face camera CMOS - 5MP
Reader Database Capacity	100,000 Users
Transaction Log Capacity	Up to 1,000,000 transactions stored on device, unlimited on server
Relays x 2 (door, other)	Control for all electric locking mechanisms and auxiliary relay for user defined operation
Operating Temperature	32°F~113°F (0°C~45°C)
Storage Temperature	-4°F~203°F (-20°C~95°C)
Humidity	Up to 90% non-condensing
Iris & Face Camera Rotation Angle	+35°/-25°
Communications	Ethernet (LAN, WAN), RS232, RS485, RS422
Inputs / Outputs	Embedded Card Reader (Optional), Wiegand In, Wiegand Out, Dry Contact Relay x 2, Programmable GPIO x 4
Equipment Supplied with iCAM 7S series	Instruction Manual - Hardware Guide
IrisAccess EAC Server for Enterprise, iData SDK	Refer to IrisAccess Enterprise Access Control Software specifications
Certifications	CE, FCC, KC, Eye Safety, UL294, ISO Standard, IEC, KISA



Distributed by



Iris ID, Inc.

8 Clarke Drive, Cranbury, NJ 08512, USA  
Tel. 609-819-IRIS(4747) Fax. 609-819-4736

www.irisid.com

© 2016 Iris ID, Inc. All rights reserved. Design and specification subject to change without notice.

