

## REPLACEMENT DOOR WITH 3-POINT LATCH, TYPE 4X



### INDUSTRY STANDARDS

Maintains NEMA Type 4X rating when properly installed on Hoffman SSLP clamp cover or SSLP3PT stainless steel wall-mount enclosures.

### APPLICATION

Replacement door for SSLP and SSLP3PT style enclosures. Maintains NEMA Type 4X rating and converts clamp covers to a 3-point latch. Replacement door is ideal for corrosive enclosure installations that require frequent access and the security of a POWERGLIDE padlocking handle.

### SPECIFICATIONS

- 14 gauge Type 304 or Type 316L stainless steel material
- Seamless foam-in-place gasket
- Type 316L stainless steel POWERGLIDE handle
- Internal 3-point latching hardware installed
- Data pocket is high-impact thermoplastic
- Hinge halves and stainless steel hinge pin
- Bonding provision

### FINISH

Door has a smooth #4 brushed finish on the exterior. The Type 316L stainless steel handle is electropolished.

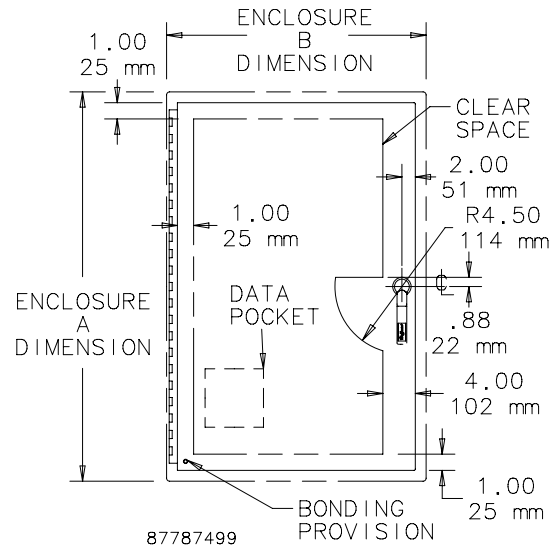
### MODIFICATION AND CUSTOMIZATION

Hoffman excels at modifying and customizing products to your specifications. Contact your local Hoffman sales office or distributor for complete information.

### BULLETIN: A4SW3, A4SY

#### Standard Product

Catalog Number	Material	Fits (in.)
Z24208SS3PT	304	A = 24.00, B = 20.00
Z24208SS63PT	316L	A = 24.00, B = 20.00
Z24248SS3PT	304	A = 24.00, B = 24.00
Z24248SS63PT	316L	A = 24.00, B = 24.00
Z30248SS3PT	304	A = 30.00, B = 24.00
Z30248SS63PT	316L	A = 30.00, B = 24.00
Z36248SS3PT	304	A = 36.00, B = 24.00
Z36248SS63PT	316L	A = 36.00, B = 24.00
Z36308SS3PT	304	A = 36.00, B = 30.00
Z36308SS63PT	316L	A = 36.00, B = 30.00
Z36368SS3PT	304	A = 36.00, B = 36.00
Z36368SS63PT	316L	A = 36.00, B = 36.00
Z48368SS3PT	304	A = 48.00, B = 36.00
Z48368SS63PT	316L	A = 48.00, B = 36.00
Z60368SS3PT	304	A = 60.00, B = 36.00
Z60368SS63PT	316L	A = 60.00, B = 36.00



**Notes**