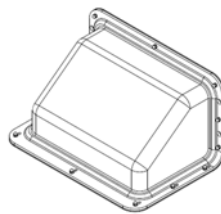
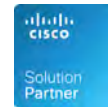




The Model 3010 protects WAPs mounted beneath seats in high density WiFi deployments in public venues. The 3010 is large enough for most enterprise WAPs, yet is compact enough to fit under the seat without impeding foot space. This unit is comprised of a thermoformed, durable Thermoform plastic cover, aluminum back plane and gasket. The plastic can be easily drilled for cable egress, and when properly sealed provides a NEMA4 capability. The Thermoform plastic is virtually transparent to wireless signals.



Isometric View

Features & Benefits

- Rugged under-seat enclosure for installing WAPs in stadium venues and other challenging environments
- Designed for use in indoor/outdoor wet, or dirty environments; UV capped for exposure to direct sunlight
- Virtually transparent to wireless signals
- Plastic is easily drilled and machined for custom cable ingress and installation
- Cover attaches with 14 stainless steel cap nuts; weather and abrasion resistant EPDM foam strip provides seal

Technical Specifications

- Design: Enclosure designed to protect wireless access point and antenna when mounted under seats in auditorium or stadium. Fastens to riser. Screw-on Acrylic/PVC alloy plastic cover.
- Performance: Designed to protect equipment from spilling liquids, weather and washing. Capable of NEMA 3R and 4 performance for indoor/outdoor wet environments when properly sealed. Transparent to wireless signals. Paintable.
- Includes articulating universal access point mounting bracket
- EPDM foam gasket
- Construction: Cover is light grey, thermoformed UL94-V0 Acrylic/PVC alloy plastic; UV capped for exposure to direct sunlight; back plane is 10 ga. aluminum
- Size: 9.16 inches by 16.60 inches by 11.25 inches (232 mm by 422 mm by 286 mm)

Measurements *(Maximum values):*

- Height: 9.16 in.
- Width: 16.6 in.
- Depth: 11.25 in.
- Item Weight: 6 lbs.
- Shipping Weight: 8 lbs.


Includes


- (1) Acrylic/PVC alloy cover
- (1) Aluminum back plane
- (1) Adjustable T-Bar bracket
- (2) #8 Pan head machine screw
- (4) #8 Machine nut
- (14) #8 Machine cap nut
- (14) #8 Lock washer
- (1) Installation instructions

Available Accessories

- P/N 35-CORD-KIT: Cord Grip Connector
- P/N 35-RJ45-KIT: Watertight RJ-45 Bulkhead Connector

Documentation Links

 [Spec Sheet](http://oberoninc.com/index.php?option=com_content&view=article&id=2533&Itemid=399) - oberoninc.com/index.php?option=com_content&view=article&id=2533&Itemid=399

 [Installation Instructions](http://oberoninc.com/images/WebDocs/Model3010-00_Installation_Instructions.pdf) - oberoninc.com/images/WebDocs/Model3010-00_Installation_Instructions.pdf

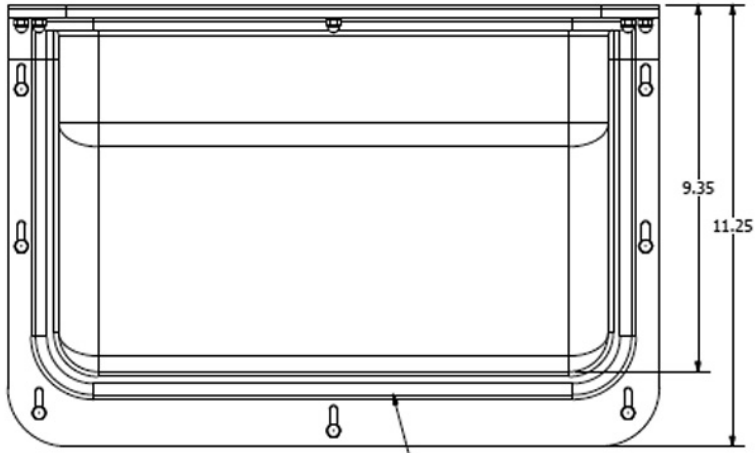
 [Customer Prints](http://oberoninc.com/images/WebDocs/Model3010-00_Customer_Print.pdf) - oberoninc.com/images/WebDocs/Model3010-00_Customer_Print.pdf

 [SECTION 27_21_33 DATA COMMUNICATIONS WIRELESS ACCESS POINTS -](#)

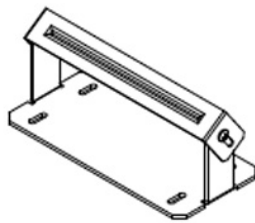
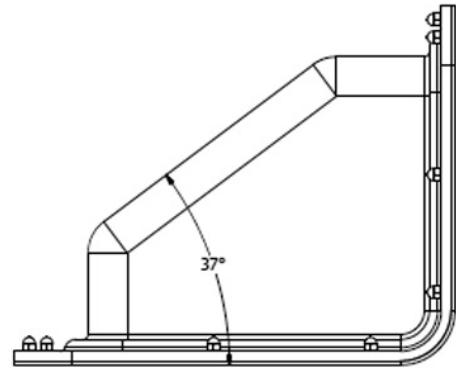
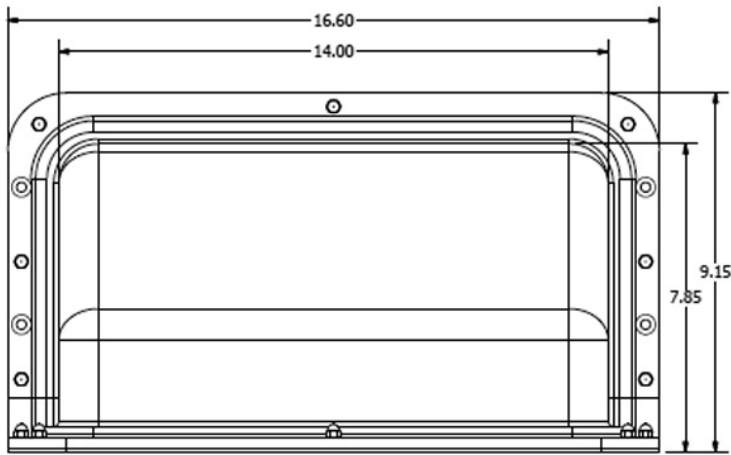
[http://oberoninc.com/images/WebDocs/SECTION_27_21_33 DATA COMMUNICATIONS WIRELESS ACCESS POINTS.pdf](http://oberoninc.com/images/WebDocs/SECTION_27_21_33_DATA_COMMUNICATIONS_WIRELESS_ACCESS_POINTS.pdf)

Images and documents may depict similar models in the product series.

Dimensional Images



Gasket seal around perimeter of cover



Adjustable T-Bar Bracket