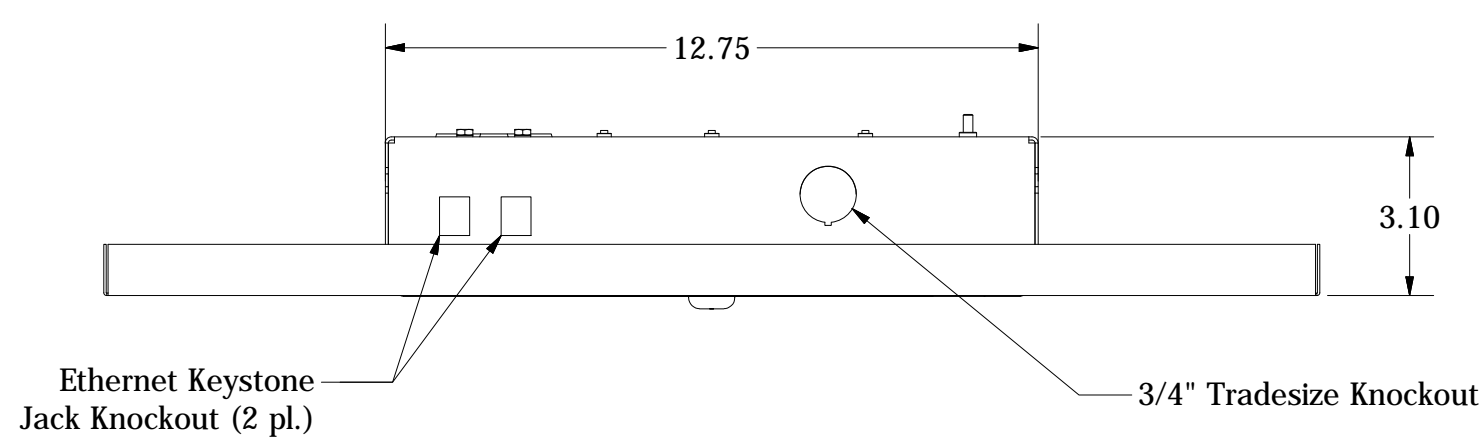
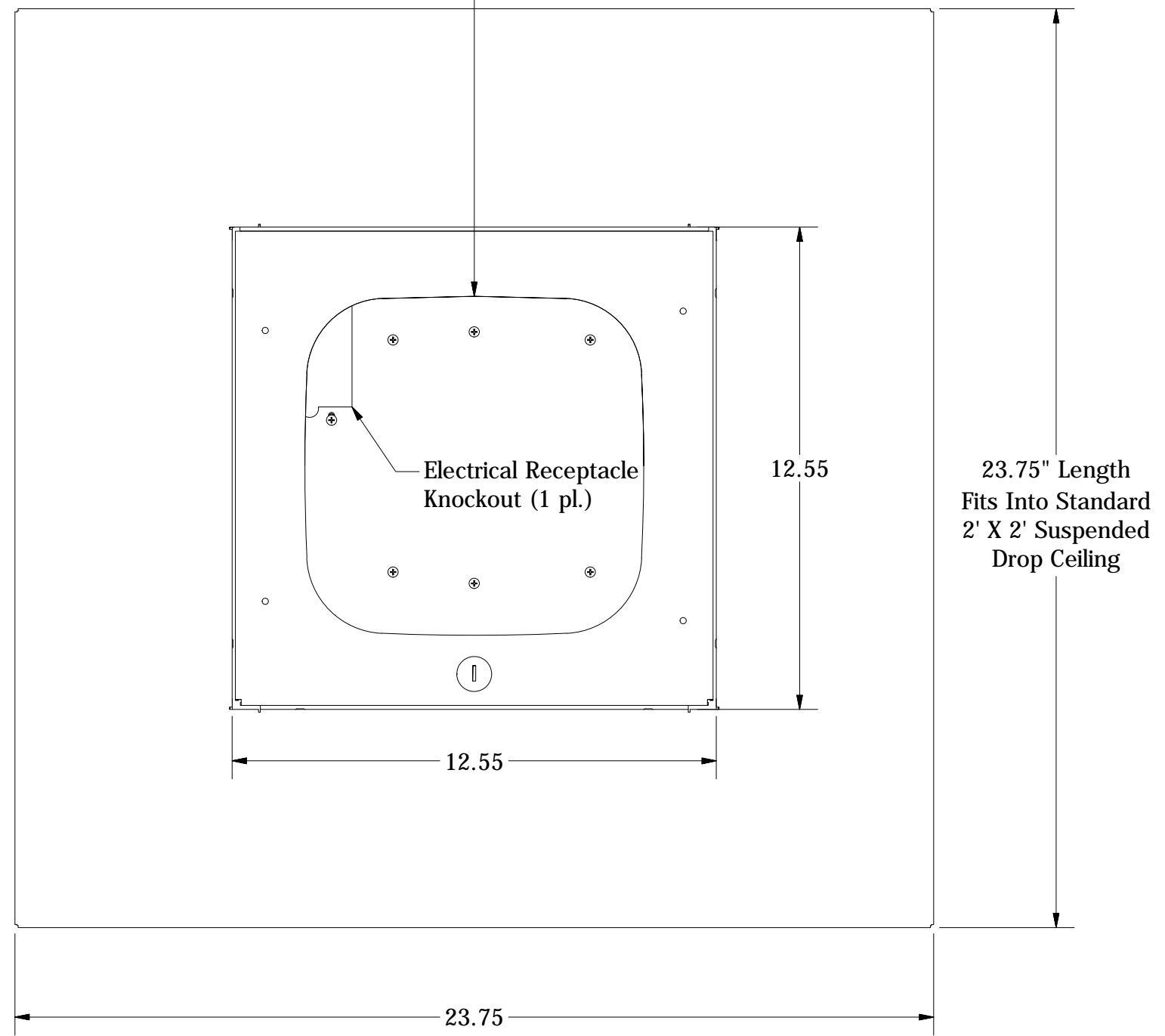
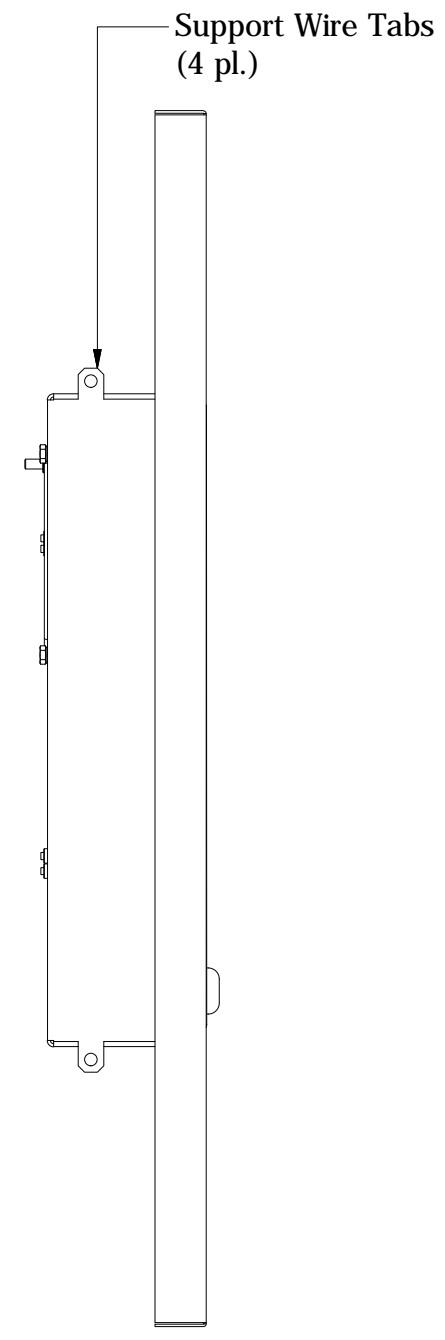


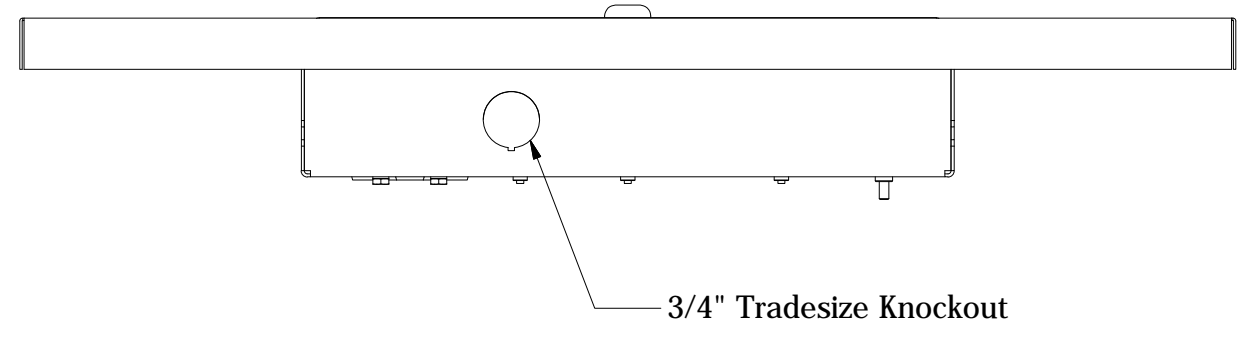
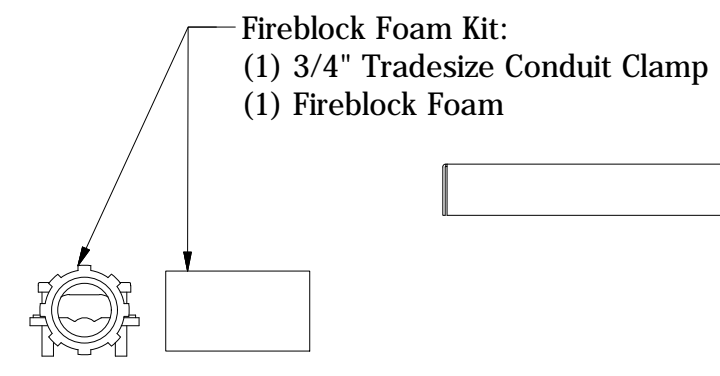
REVISION HISTORY				
ZONE	REV	DESCRIPTION	DATE	APPROVED
All	1	Released	4/4/2013	MDA



Opening In Door For Cisco 1040, 1140, 1260, 2600, 3500, & 3600 Series Access Points. Provided Mounting Plate Designed To Be Used With Cisco AIR-AP-BRACKET-1 or AIR-AP-BRACKET-2



- NOTES:**
- UL Listed NWIN: File No. E348543
  - Weight: 14 lbs.
  - Material: 16 Ga. Aluminum Backbox  
14 Ga. White Powder Coated Steel Door  
12 Ga. White Powder Coated Steel Flange
  - Includes: (1) Mounting Plate  
(4) No. 8-32 Hex Nut  
(1) Fireblock Foam Kit  
(4) Support Wire



DRAWN MDA	4/4/2013	Oberon, Inc. - 1315 S. Allen St. - State College, PA 16801		
CHECKED MDA	4/4/2013	TITLE		
QA		Model 1077-CCOAP		
MFG MDA	4/4/2013	SIZE <b>C</b>	DWG NO <b>2011</b>	REV <b>1</b>
APPROVED MDA	4/4/2013	SCALE	SHEET 1 OF 1	
TOLERANCE:				
.0 = +/- .030				
.00 = +/- .015				
.000 = +/- .005				