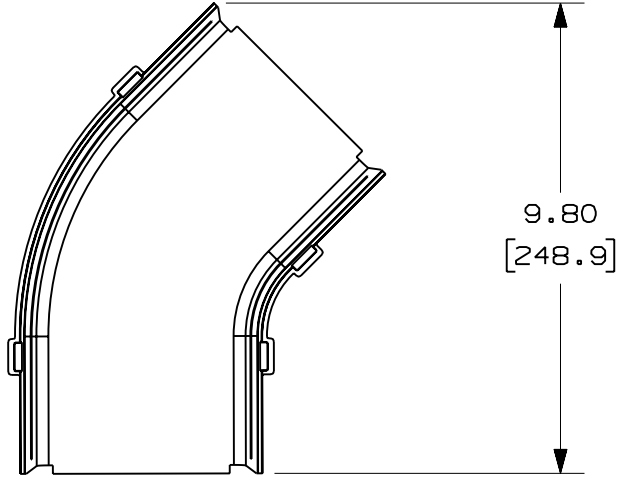


THIS COPY IS PROVIDED ON A RESTRICTED BASIS AND IS NOT TO BE USED IN ANY WAY DETRIMENTAL TO THE INTERESTS OF PANDUIT CORP.

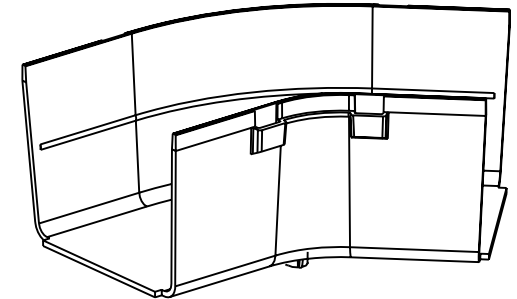
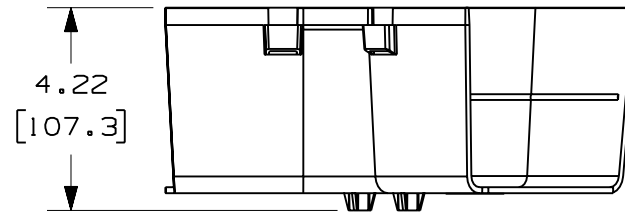
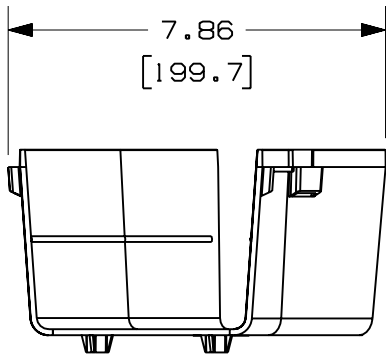


| | |
|---------------------|-----------------------------|
| PANDUIT PART NUMBER | WEIGHT |
| FRH454X4 | 0.59 LB/EACH (266g/EACH) |



NOTES:

1. SEE CURRENT CATALOG FOR ADDITIONAL PART SUFFIXES TO INDICATE COLOR AND/OR PACKAGE QUANTITY.
2. THE FIBERRUNNER 4x4 HORIZONTAL 45° ANGLE FITTING IS DESIGNED WITH A MINIMUM 2" (50.8) BEND RADIUS TO PROTECT FIBER OPTIC CABLES.
3. DIMENSIONS IN PARENTHESES ARE IN METRIC.



ENG. REF.: D37847BM_DC_FRH454X4_02.prt

CAD FILENAME/LAYERS

E FRH454X4.pdf

PANDUIT CORP TINLEY PARK, ILLINOIS
FIBERRUNNER 4x4 HORIZONTAL 45° ANGLE FITTING (FRH454X4)
 CUSTOMER DRAWING

UNLESS OTHERWISE SPECIFIED, DIMENSIONAL TOLERANCES ARE:

(.X) ± (.XXX) ±
 (.XX) ± .03 (.8) ANGLES ±

UNLESS OTHERWISE SPECIFIED, ALL DIMENSIONS ARE GIVEN IN INCHES, THIRD ANGLE PROJECTION.

DRAWN BY JHNU

MAT'L:

SCALE NONE

DATE 7-16-01

ABS

DRAWING NO. 37847-56

DWG A SIZE

CHK'D RPA

| REV | DATE | BY | CHK | DESCRIPTION | ECN | R | CUST | SUP | GMBH |
|-----|---------|-----|-----|--|----------|----|------|-----|------|
| - | ----- | --- | --- | G. REVISED GENERAL NOTES | ----- | -- | -- | | |
| - | ----- | --- | --- | F. REVISED PART WEIGHT E. REVISED CAD FILENAME | ----- | -- | -- | | |
| 2 | 6-28-06 | DTP | RN | D. REVISED DRAWING TITLE C. REVISED AND REDRAWN | 37847-56 | RN | RN | | |