

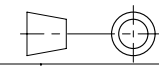
THIS COPY IS PROVIDED ON A RESTRICTED BASIS AND IS NOT TO BE USED IN ANY WAY DETRIMENTAL TO THE INTERESTS OF PANDUIT CORP.

PART NO.	DESCRIPTION	SINGLE HINGE FRONT DOOR	SPLIT REAR DOOR	SPLIT SIDE PANEL	FRONT CAGE NUT E-RAIL	REAR CAGE NUT FINGER MGMT E-RAIL	REAR CAGE NUT VERTICAL PATCH E-RAIL	STANDARD PDU BRACKETS	CASTERS	CABLE MGMT FINGERS	CABINET WEIGHT FULLY UNPACKAGED	CABINET WEIGHT SHIPPING WEIGHT
S8212*9	NET-ACCESS S-TYPE CABINET 800mm X 42RU X 1070mm DEEP	01	01	02	02	02	00	02	00	00	140 Kg/EACH 309 LBS/EACH	160 Kg/EACH 354 LBS/EACH
S8512*9	NET-ACCESS S-TYPE CABINET 800mm X 45RU X 1070mm DEEP	01	01	02	02	02	00	02	00	00	147 Kg/EACH 324 LBS/EACH	167 Kg/EACH 369 LBS/EACH
S8812*9	NET-ACCESS S-TYPE CABINET 800mm X 48RU X 1070mm DEEP	01	01	02	02	02	00	02	00	00	154 Kg/EACH 339 LBS/EACH	174 Kg/EACH 384 LBS/EACH
S8219*9	NET-ACCESS S-TYPE CABINET 800mm X 42RU X 1070mm DEEP	01	01	00	02	02	00	02	00	00	117 Kg/EACH 259 LBS/EACH	138 Kg/EACH 304 LBS/EACH
S8519*9	NET-ACCESS S-TYPE CABINET 800mm X 45RU X 1070mm DEEP	01	01	00	02	02	00	02	00	00	124 Kg/EACH 274 LBS/EACH	145 Kg/EACH 319 LBS/EACH
S8819*9	NET-ACCESS S-TYPE CABINET 800mm X 48RU X 1070mm DEEP	01	01	00	02	02	00	02	00	00	131 Kg/EACH 289 LBS/EACH	151 Kg/EACH 334 LBS/EACH

* DENOTES COLOR
 "B" = BLACK
 "W" = WHITE

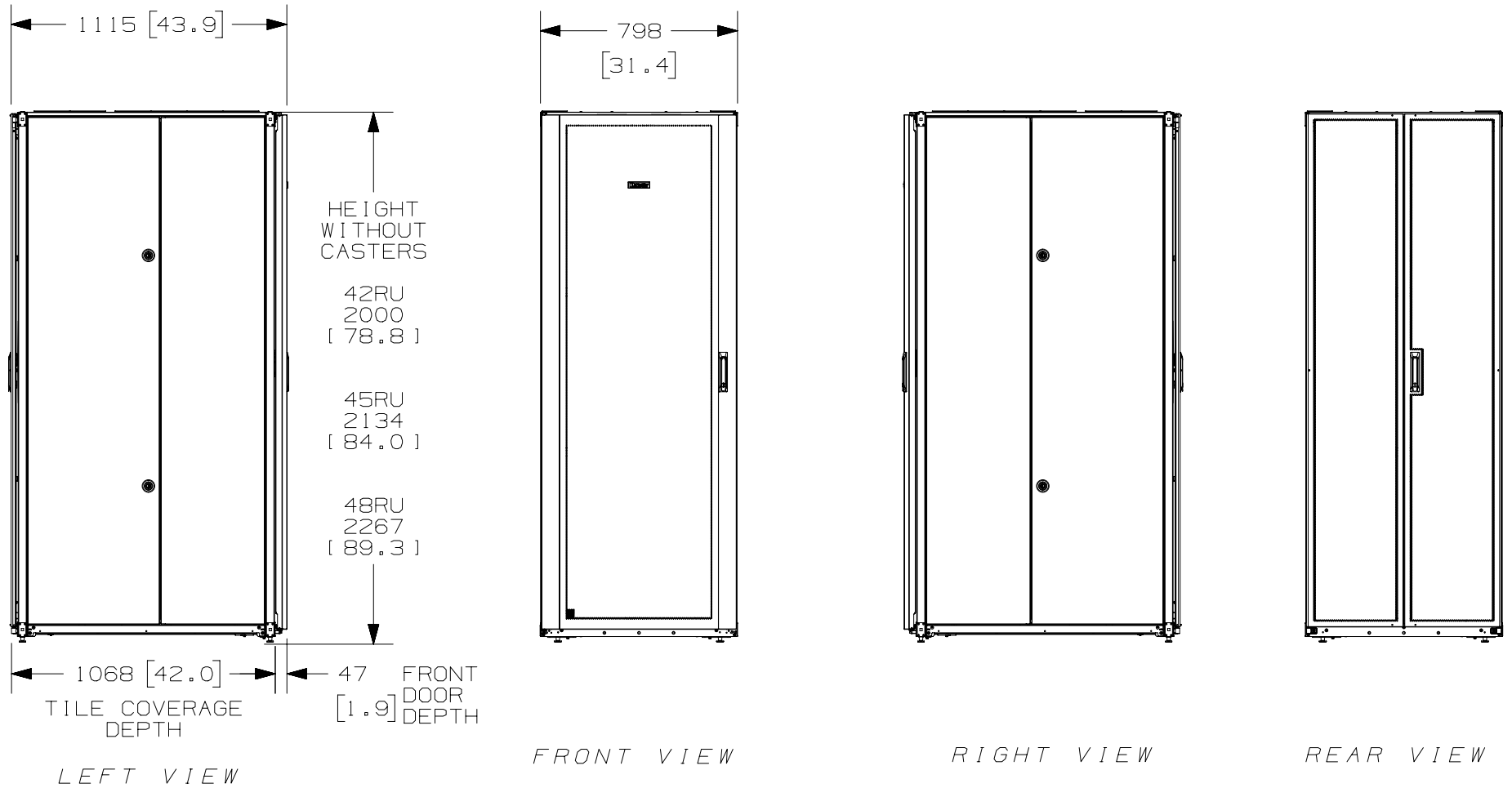
REV	DATE	BY	CHK	APR	DESCRIPTION	ECN
01A	9-29-14	PBS	ADP	TCN	SEE SHEET 1 OF 5 FOR REVISIONS	V09000BX
00A	5-23-13	PBS	NAGL	JDWE	SEE SHEET 1 OF 5 FOR REVISIONS	12V352BM-DC

TITLE		NET-ACCESS S TYPE CABINET W/O CASTERS 800mm WIDE X 1070mm DEEP FAMILY	
		CUSTOMER DRAWING	
ITEM REVISION NAME		12V352BM/01.PRT	
DATASET FILE NAME		12V352BM_DC/01A.PRT	
		MATERIAL: N/A	
DRAWN BY		PBS	
DATE		5-23-13	
CHK		NAGL	
SCALE		NONE	
DRAWING NUMBER:		12V352BM-DC	
SHT 2 OF 5		A	



THIRD ANGLE PROJECTION

THIS COPY IS PROVIDED ON A RESTRICTED BASIS AND IS NOT TO BE USED IN ANY WAY DETRIMENTAL TO THE INTERESTS OF PANDUIT CORP.



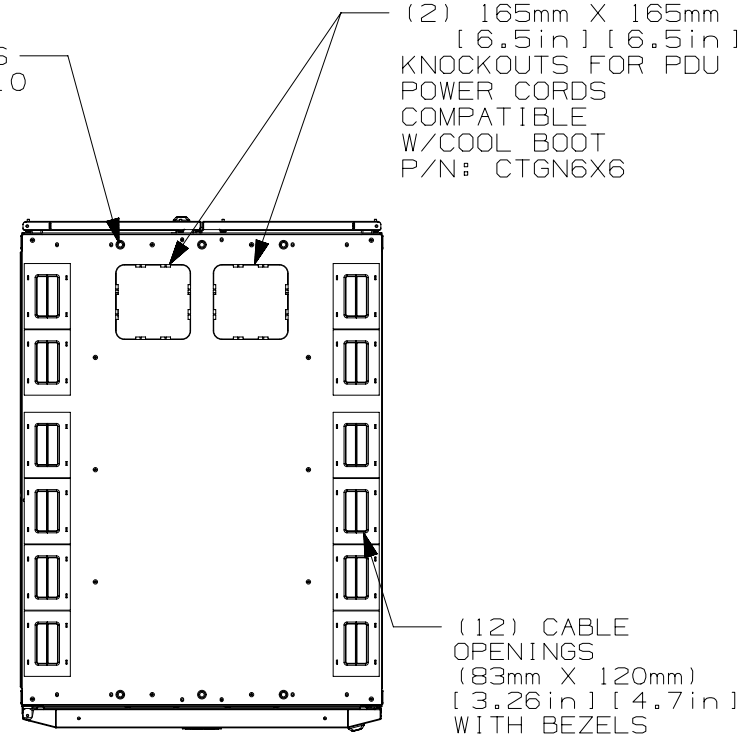
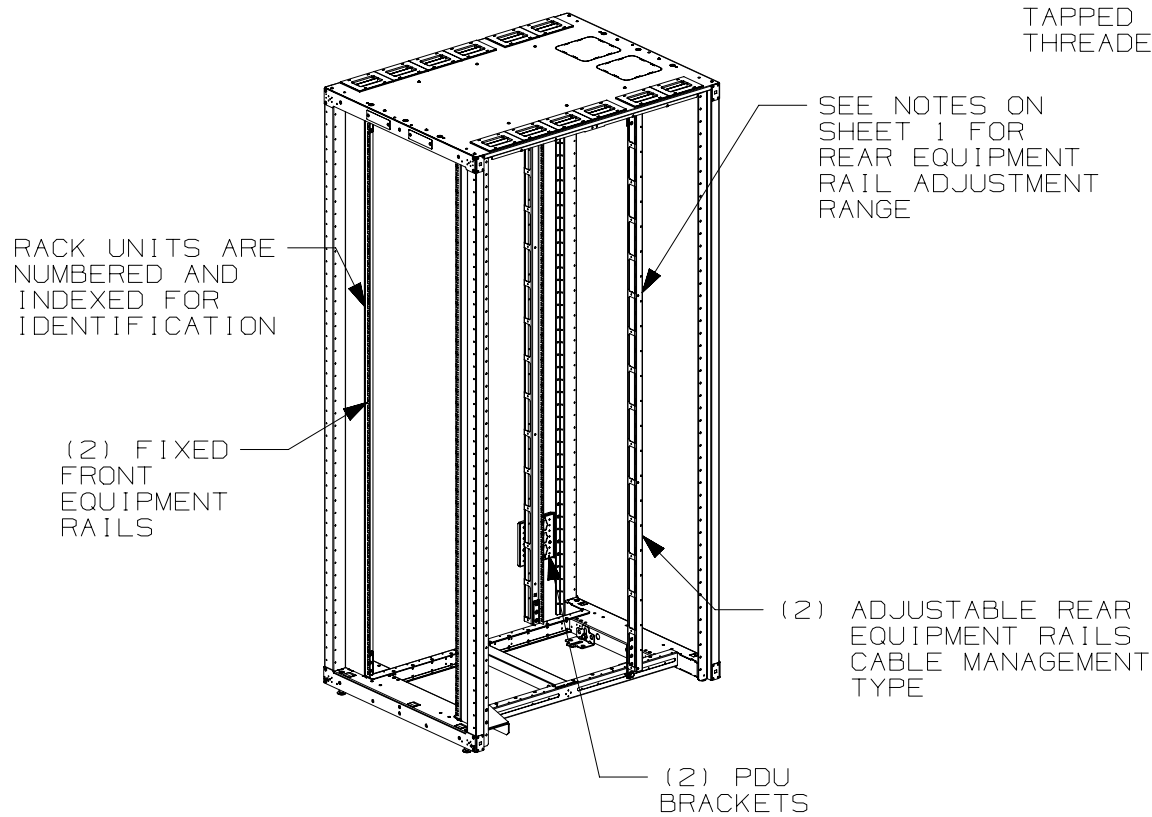
REV	DATE	BY	CHK	APR	DESCRIPTION	ECN
01A	9-29-14	PBS	ADP	TCN	SEE SHEET 1 OF 5 FOR REVISIONS	V09000BX
00A	5-23-13	PBS	NAGL	JDWE	SEE SHEET 1 OF 5 FOR REVISIONS	12V352BM-DC

TITLE		NET-ACCESS S TYPE CABINET W/O CASTERS 800mm WIDE X 1070mm DEEP FAMILY	
		CUSTOMER DRAWING	
ITEM REVISION NAME		12V352BM/01.PRT	
DATASET FILE NAME		12V352BM_DC/01A.PRT	
		MATERIAL: N/A	
		DRAWING NUMBER: 12V352BM-DC	
DRAWN BY	DATE	CHK	SCALE
PBS	5-23-13	NAGL	NONE
THIRD ANGLE PROJECTION		SHT 3 OF 5	
		SIZE A	

THIS COPY IS PROVIDED ON A RESTRICTED BASIS AND IS NOT TO BE USED IN ANY WAY DETRIMENTAL TO THE INTERESTS OF PANDUIT CORP.

2

1



TOP VIEW

FRONT DOOR, REAR DOOR, AND SIDE PANELS NOT SHOWN

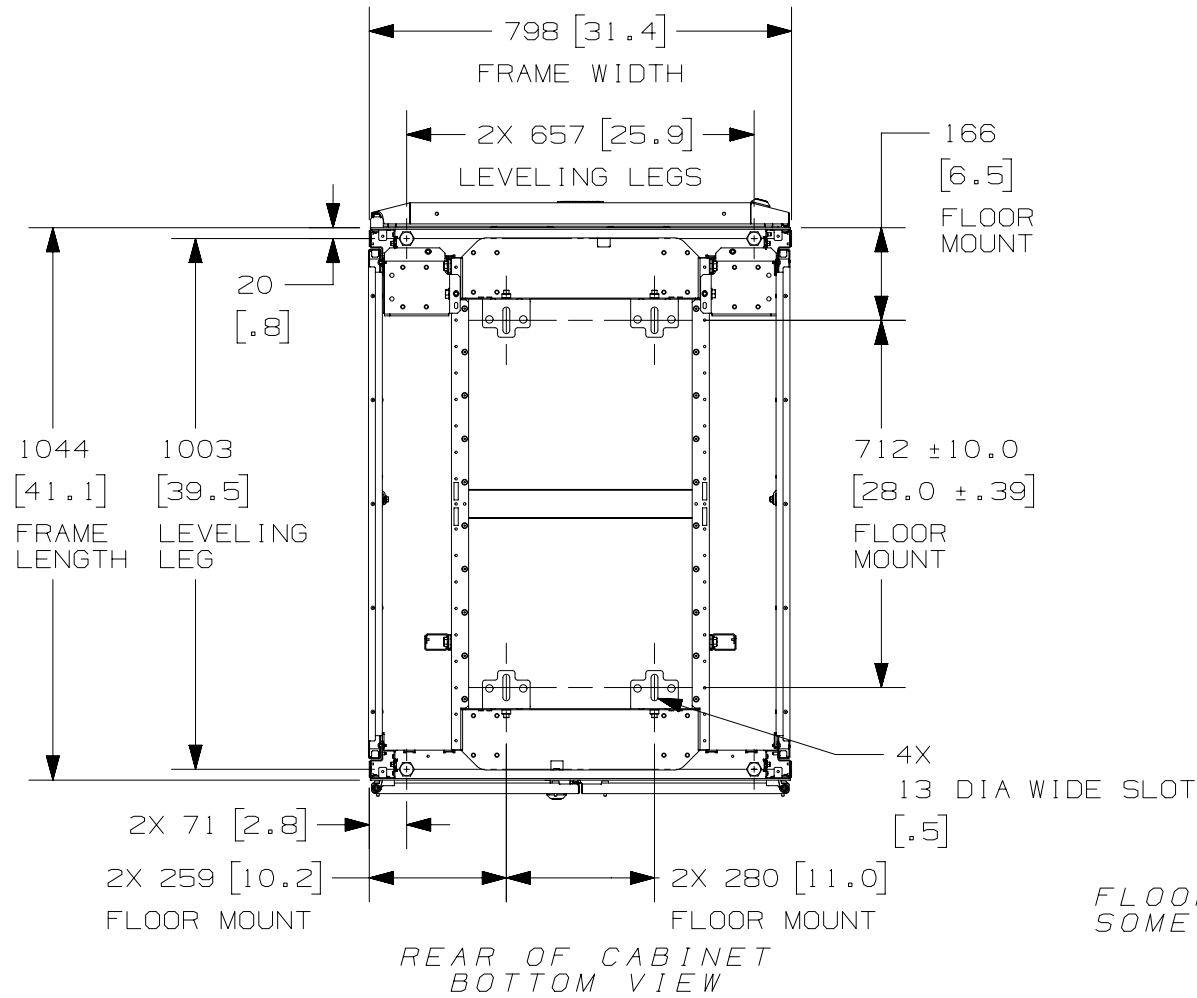
REV	DATE	BY	CHK	APR	DESCRIPTION	ECN
01A	9-29-14	PBS	ADP	TCN	SEE SHEET 1 OF 5 FOR REVISIONS	V09000BX
00A	5-23-13	PBS	NAGL	JDWE	SEE SHEET 1 OF 5 FOR REVISIONS	12V352BM-DC

TITLE				NET-ACCESS S TYPE CABINET W/O CASTERS 800mm WIDE X 1070mm DEEP FAMILY			
				CUSTOMER DRAWING			
ITEM REVISION NAME				12V352BM/01.PRT			
DATASET FILE NAME				12V352BM_DC/01A.PRT			
				MATERIAL: N/A			
				DRAWING NUMBER: 12V352BM-DC			
DRAWN BY		DATE		CHK		SCALE	
PBS		5-23-13		NAGL		NONE	
THIRD ANGLE PROJECTION				SHT 4 OF 5			
				SIZE A			

2

1

THIS COPY IS PROVIDED ON A RESTRICTED BASIS AND IS NOT TO BE USED IN ANY WAY DETRIMENTAL TO THE INTERESTS OF PANDUIT CORP.



FLOOR MOUNTING HOLE LOCATIONS - SOME PARTS REMOVED FOR CLARITY

REAR OF CABINET
BOTTOM VIEW

REV	DATE	BY	CHK	APR	DESCRIPTION	ECN
01A	9-29-14	PBS	ADP	TCN	SEE SHEET 1 OF 5 FOR REVISIONS	V09000BX
00A	5-23-13	PBS	NAGL	JDWE	SEE SHEET 1 OF 5 FOR REVISIONS	12V352BM-DC

TITLE		NET-ACCESS S TYPE CABINET W/O CASTERS 800mm WIDE X 1070mm DEEP FAMILY	
CUSTOMER DRAWING			
ITEM REVISION NAME	12V352BM/01.PRT	PANDUIT	
DATASET FILE NAME	12V352BM_DC/01A.PRT		
MATERIAL:		N/A	
DRAWING NUMBER:		12V352BM-DC	
DRAWN BY	DATE	CHK	SCALE
PBS	5-23-13	NAGL	NONE
THIRD ANGLE PROJECTION		SHT 5 OF 5	
SIZE		A	