

THIS COPY IS PROVIDED ON A RESTRICTED BASIS AND IS NOT TO BE USED IN ANY WAY DETRIMENTAL TO THE INTERESTS OF PANDUIT CORP.

PANDUIT P/N	WEIGHT
CMRPSV20SILTLM	9 lb (4.1 kg)

NOTES:

1. IDENTIFICATION: VERTICAL, (20) 5-20R, METERED  
120V / 20A / SINGLE-PHASE POU

PART NO.	COLOR
CMRPSV20SILTLM	BLACK

2. ACCESSORY COMPONENTS:  
(4) #10-32 x 1/2" MOUNTING SCREWS  
(4) #12-24 x 1/2" MOUNTING SCREWS  
(2) #10-32 LOCKING COLLAR SCREWS  
(2) L-BRACKETS

3. DIMENSIONS IN PARENTHESSES ARE METRIC (mm).

4. POWER METER - RED, 4-DIGIT LED CONTINUOUSLY SCROLLS THROUGH POWER FACTOR, AMPS, VOLTS (RMS), AND REAL POWER IN WATTS (RMS).

5. SURGE SUPPRESSION UP TO 330V OR 720 JOULES.

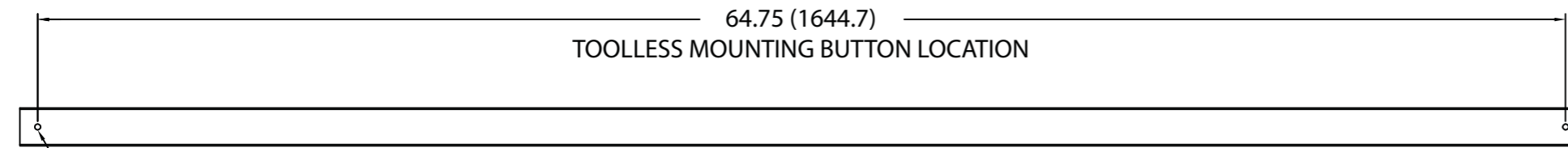
6. UL® & c-UL® LISTED 1950.

7. RoHS COMPLIANT.

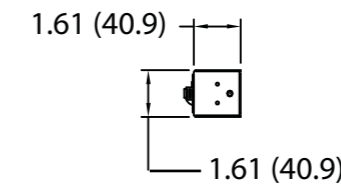
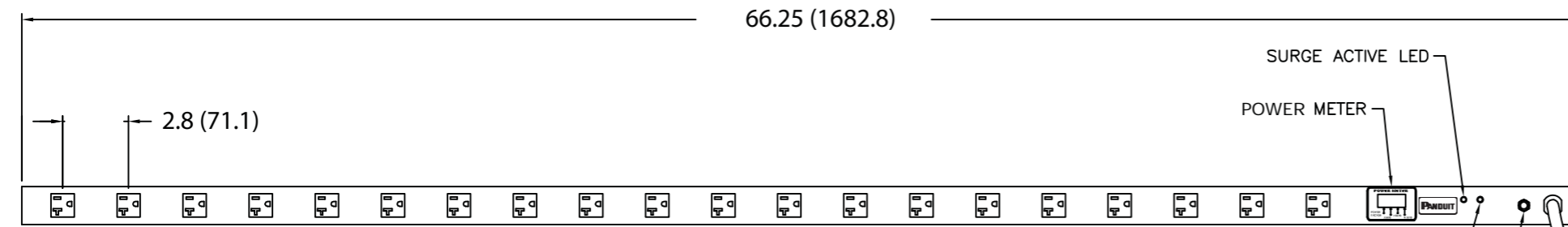
8. VISIT OUR ON-LINE CATALOG AT WWW.PANDUIT.COM FOR A CURRENT LIST OF PRODUCTS APPLICABLE FOR USE WITH THIS PART.

9. MAXIMUM AVAILABLE INPUT POWER = 1.9 KW

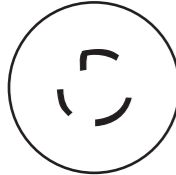
10. INSTALLATION SHALL COMPLY WITH ALL APPLICABLE NATIONAL, STATE, AND LOCAL CODES.



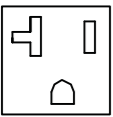
TOOLESS MOUNTING  
BUTTON 2X



10 FOOT INLET POWER CORD



PLUG  
20 AMP, 125V, SINGLE-PHASE  
TWIST LOCK  
NEMA L5-20P



TWENTY (20)  
RECEPTACLES  
20 AMP, 125V  
STRAIGHT BLADE  
NEMA 5-20R

REV	DATE	BY	CHK	DESCRIPTION	ECN	R	CUST	SUP	OTH
01A	9-13-12	PIP	MRWA	A. ADDED NOTE #10.	09V098YL				
00A	10-26-11	MRWA	KRKE	RELEASED TO PRODUCTION	09V098YL				

MODEL FILENAME	09V098YL/01.PRT	
CAD FILENAME/LAYERS	09V098YL_DC/01A.PRT	
<b>PANDUIT</b> CORP. TINLEY PARK, ILLINOIS		
VERTICAL, (20) 5-20R, METERED POWER OUTLET UNIT CUSTOMER DRAWING		
UNLESS OTHERWISE SPECIFIED, DIMENSIONAL TOLERANCES ARE:		UNLESS OTHERWISE SPECIFIED, ALL DIMENSIONS ARE GIVEN IN INCHES, THIRD ANGLE PROJECTION
INCHES	±0.03	[METRIC - MILLIMETER] ANGLE
X.X	±0.015	X.X ±0.8
X.XX	±0.005	X.XX ±0.4
X.XXX		X.XXX ±0.13
DRAWN BY	MRWA	MAT'L:
DATE	10-26-11	SCALE
CHK'D	KRKE	NONE
DRAWING NO.		DWG
09V098YL		SIZE
		B

2

1