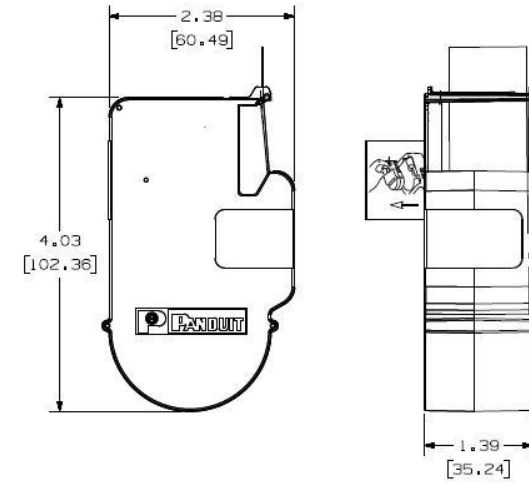


THIS COPY IS PROVIDED ON A RESTRICTED BASIS AND IS NOT TO BE USED IN ANY WAY DETRIMENTAL TO THE INTERESTS OF PANDUIT CORP.

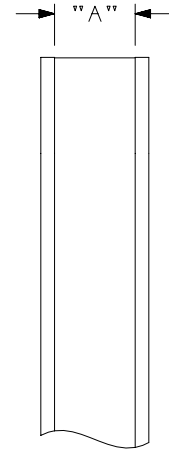
| PART NO.       | PART DESCRIPTION                | LABEL "A"     | MATERIAL      | ROLL LENGTH |       |
|----------------|---------------------------------|---------------|---------------|-------------|-------|
| T019X000FJC-BK | BLACK ON WHITE, POLYOLEFIN TAPE | 0.19 [ 4.83 ] | GMPO4         | 300"        |       |
| T024X000FJC-BK | BLACK ON WHITE, POLYOLEFIN TAPE | 0.24 [ 6.10 ] | GMV14         |             |       |
| T024X000YKC-BK | BLACK ON CLEAR, POLYESTER TAPE  |               | GMV15         |             |       |
| T024X000VPC-BK | BLACK ON WHITE, VINYL TAPE      |               | GMV14         |             |       |
| T024X000VYC-WH | WHITE ON BLACK, VINYL TAPE      |               | GMV15         |             |       |
| T031X000FJC-BK | BLACK ON WHITE, POLYOLEFIN TAPE |               | 0.31 [ 7.87 ] |             | GMPO4 |
| T038X000FJC-BK | BLACK ON WHITE, POLYOLEFIN TAPE | 0.38 [ 9.65 ] | GMV14         |             |       |
| T038X000VPC-BK | BLACK ON WHITE, VINYL TAPE      |               | GMV14         |             |       |
| T038X000VQC-BK | BLACK ON BLUE, VINYL TAPE       |               | GMV15         |             |       |
| T038X000VQC-WH | WHITE ON BLUE, VINYL TAPE       |               |               |             |       |
| T038X000VSC-BK | BLACK ON GREEN, VINYL TAPE      |               |               |             |       |
| T038X000VSC-WH | WHITE ON GREEN, VINYL TAPE      |               |               |             |       |
| T038X000VUC-BK | BLACK ON ORANGE, VINYL TAPE     |               |               |             |       |
| T038X000VWC-BK | BLACK ON RED, VINYL TAPE        |               |               |             |       |
| T038X000VWC-WH | WHITE ON RED, VINYL TAPE        |               |               |             |       |
| T038X000VXC-BK | BLACK ON YELLOW, VINYL TAPE     |               |               |             | GMV14 |
| T038X000VYC-WH | WHITE ON BLACK, VINYL TAPE      |               |               |             | GMV15 |
| T038X000YKC-BK | BLACK ON CLEAR, POLYESTER TAPE  |               |               |             | GMV14 |



1 OF 3



NOTES:  
1. DIMENSIONS IN [ ] ARE IN MILLIMETERS.

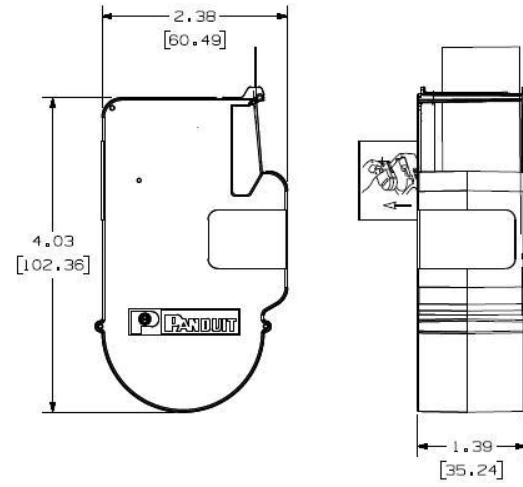


| REV | DATE     | BY  | CHK  | APR  | DESCRIPTION                                                                                                                                        | ECN        |
|-----|----------|-----|------|------|----------------------------------------------------------------------------------------------------------------------------------------------------|------------|
| 4   | 10/3/14  | RVU | SEWH | MSAD | T038X000VXC-BK, T050X000VXC-BK, T075X000VXC-BK AND T100X000VXC-BK, MATERIAL: GMV14 WAS GMV15. REMOVE NOTE 2. COMBINE OTHER DWG., C10866, & C10867. | GAECN02340 |
| 3   | 10/12/12 | RVU | SEWH | MSAD | T024X000VPC-BK, T038X000VPC-BK, T050X000VPC-BK, T075X000VPC-BK, T100X000VPC-BK, MATERIAL: GMV14 WAS GMV15.                                         | GAECN00369 |
| 2   | 10/19/10 | RVU |      |      | UPDATE ALL TABLE FROM THE NEW PART NO.                                                                                                             | 6195       |
| 1   | 4/14/09  | LDG |      |      | ADDED T050X000VPC-RD, T100X000VPC-RD.                                                                                                              | 5702       |
| 0   | 4/30/08  | RVU |      |      | DRAWING RELEASE                                                                                                                                    | 5403       |

|                                                                                                                                                      |                 |             |                               |            |  |
|------------------------------------------------------------------------------------------------------------------------------------------------------|-----------------|-------------|-------------------------------|------------|--|
| TITLE<br><b>P1 T***X*** CASSETTE CONTINUOUS TAPE LABEL</b><br>CUSTOMER DRAWING                                                                       |                 |             |                               |            |  |
| ITEM REVISION NAME<br>10074380/23                                                                                                                    |                 |             | <b>PANDUIT</b>                |            |  |
| DATASET FILE NAME<br>10074380_DC_C10695/23E                                                                                                          |                 |             |                               |            |  |
| UNLESS OTHERWISE SPECIFIED, DIMENSIONAL TOLERANCES ARE: IN [ mm ]<br>.x ± .03 [ .762 ]      .xxx ± .025 [ .635 ]<br>.xx ± .03 [ .762 ]      ANGLES ± |                 |             | MATERIAL:<br><b>SEE TABLE</b> |            |  |
| DRAWING NUMBER:<br>C10695                                                                                                                            |                 |             | DRAWING NUMBER:<br>C10695     |            |  |
| DRAWN BY<br>RVU                                                                                                                                      | DATE<br>4/30/08 | CHK<br>MSAD | SCALE<br>NTS                  | SHT 1 OF 1 |  |

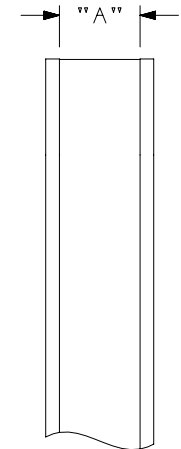
THIS COPY IS PROVIDED ON A RESTRICTED BASIS AND IS NOT TO BE USED IN ANY WAY DETRIMENTAL TO THE INTERESTS OF PANDUIT CORP.

| P1 CASSETTE PART NO. | PART DESCRIPTION               | LABEL "A"       | MATERIAL | ROLL LENGTH |
|----------------------|--------------------------------|-----------------|----------|-------------|
| T050X000VPC-BK       | BLACK ON WHITE, VINYL TAPE     | 0.50<br>(12.70) | GMV14    | 300"        |
| T050X000VPC-RD       | RED ON WHITE, VINYL TAPE       |                 | GMV15    |             |
| T050X000YKC-BK       | BLACK ON CLEAR, POLYESTER TAPE |                 | GMV4-C   |             |
| T050X000VXC-BK       | BLACK ON YELLOW, VINYL TAPE    |                 | GMV14    |             |
| T050X000VUC-BK       | BLACK ON ORANGE, VINYL TAPE    |                 | GMV15    |             |
| T050X000VWC-BK       | BLACK ON RED, VINYL TAPE       |                 |          |             |
| T050X000VSC-BK       | BLACK ON GREEN, VINYL TAPE     |                 |          |             |
| T050X000VQC-BK       | BLACK ON BLUE, VINYL TAPE      |                 |          |             |
| T050X000VYC-WH       | WHITE ON BLACK, VINYL TAPE     |                 |          |             |
| T050X000VQC-WH       | WHITE ON BLUE, VINYL TAPE      |                 |          |             |
| T050X000VSC-WH       | WHITE ON GREEN, VINYL TAPE     |                 |          |             |
| T050X000VWC-WH       | WHITE ON RED, VINYL TAPE       |                 |          |             |
| T050X000YKC-WH       | WHITE ON CLEAR, POLYESTER TAPE | GMV4-C          |          |             |
| T075X000VPC-BK       | BLACK ON WHITE, VINYL TAPE     | 0.75<br>(19.05) | GMV14    |             |
| T075X000VQC-BK       | BLACK ON BLUE, VINYL TAPE      |                 | GMV15    |             |
| T075X000VQC-WH       | WHITE ON BLUE, VINYL TAPE      |                 |          |             |
| T075X000VSC-BK       | BLACK ON GREEN, VINYL TAPE     |                 |          |             |
| T075X000VSC-WH       | WHITE ON GREEN, VINYL TAPE     |                 |          |             |
| T075X000VUC-BK       | BLACK ON ORANGE, VINYL TAPE    |                 |          |             |
| T075X000VWC-BK       | BLACK ON RED, VINYL TAPE       |                 |          |             |
| T075X000VWC-WH       | WHITE ON RED, VINYL TAPE       |                 |          |             |
| T075X000VXC-BK       | BLACK ON YELLOW, VINYL TAPE    |                 |          | GMV14       |
| T075X000VYC-WH       | WHITE ON BLACK, VINYL TAPE     |                 | GMV15    |             |
| T075X000YKC-BK       | BLACK ON CLEAR, POLYESTER TAPE | GMV4-C          |          |             |



2 OF 3

NOTES:  
1. DIMENSIONS IN [ ] ARE IN MILLIMETERS.

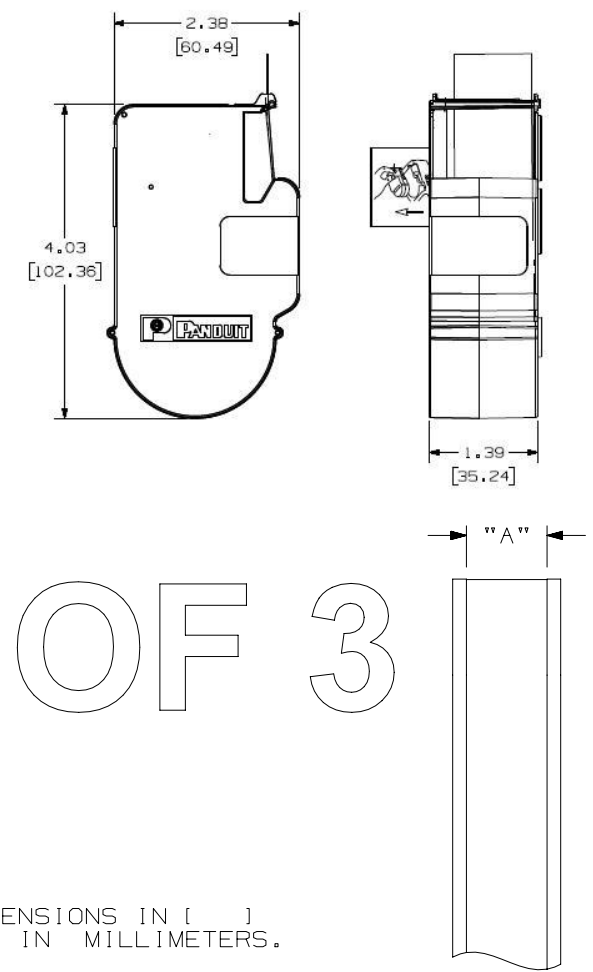


| REV | DATE     | BY  | CHK  | APR  | DESCRIPTION                                                                                                                                        | ECN        |
|-----|----------|-----|------|------|----------------------------------------------------------------------------------------------------------------------------------------------------|------------|
| 4   | 10/3/14  | RVU | SEWH | MSAD | T038X000VXC-BK, T050X000VXC-BK, T075X000VXC-BK AND T100X000VXC-BK, MATERIAL: GMV14 WAS GMV15. REMOVE NOTE 2. COMBINE OTHER DWG., C10866, & C10867. | GAECN02340 |
| 3   | 10/12/12 | RVU | SEWH | MSAD | T024X000VPC-BK, T038X000VPC-BK, T050X000VPC-BK, T075X000VPC-BK, T100X000VPC-BK, MATERIAL: GMV14 WAS GMV15.                                         | GAECN00371 |
| 2   | 10/19/10 | RVU |      |      | UPDATE ALL TABLE FROM THE NEW PART NO.                                                                                                             | 6195       |
| 1   | 4/14/09  | LDG |      |      | ADDED T050X000VPC-RD, T100X000VPC-RD.                                                                                                              | 5702       |
| 0   | 4/30/08  | RVU |      |      | DRAWING RELEASE                                                                                                                                    | 5403       |

|                                                                                |         |                        |                               |                           |  |
|--------------------------------------------------------------------------------|---------|------------------------|-------------------------------|---------------------------|--|
| TITLE<br><b>P1 T***X*** CASSETTE CONTINUOUS TAPE LABEL</b><br>CUSTOMER DRAWING |         |                        |                               |                           |  |
| ITEM REVISION NAME                                                             |         |                        | 10074380/23                   |                           |  |
| DATASET FILE NAME                                                              |         |                        | 10074380_DC_C10695/23E        |                           |  |
| UNLESS OTHERWISE SPECIFIED, DIMENSIONAL TOLERANCES ARE: IN [ mm ]              |         |                        | MATERIAL:<br><b>SEE TABLE</b> |                           |  |
| .x ± .03 [ .762 ]                                                              |         | .xxx ± .025 [ .635 ]   |                               | DRAWING NUMBER:<br>C10695 |  |
| ANGLES ±                                                                       |         | THIRD ANGLE PROJECTION |                               | SHT 1 OF 1                |  |
| DRAWN BY                                                                       | DATE    | CHK                    | SCALE                         | SIZE                      |  |
| RVU                                                                            | 4/30/08 | MSAD                   | NTS                           | A                         |  |

THIS COPY IS PROVIDED ON A RESTRICTED BASIS AND IS NOT TO BE USED IN ANY WAY DETRIMENTAL TO THE INTERESTS OF PANDUIT CORP.

| P1 CASSETTE PART NO. | PART DESCRIPTION                  | LABEL "A"         | MATERIAL | ROLL LENGTH |
|----------------------|-----------------------------------|-------------------|----------|-------------|
| T100X000VPC-BK       | BLACK ON WHITE, VINYL TAPE        | 1.00<br>[ 25.40 ] | GMV15    | 300"        |
| T100X000VPC-RD       | RED ON WHITE, VINYL TAPE          |                   | GMV14    |             |
| T100X000YKC-BK       | BLACK ON CLEAR, POLYESTER TAPE    |                   | GMV4-C   |             |
| T100X000VXC-BK       | BLACK ON YELLOW, VINYL TAPE       |                   | GMV14    |             |
| T100X000VUC-BK       | BLACK ON ORANGE, VINYL TAPE       |                   | GMV15    |             |
| T100X000VWC-BK       | BLACK ON RED, VINYL TAPE          |                   |          |             |
| T100X000VSC-BK       | BLACK ON GREEN, VINYL TAPE        |                   |          |             |
| T100X000VQC-BK       | BLACK ON BLUE, VINYL TAPE         |                   |          |             |
| T100X000VYC-WH       | WHITE ON BLACK, VINYL TAPE        |                   |          |             |
| T100X000VXC-WH       | WHITE ON YELLOW, VINYL TAPE       |                   |          |             |
| T100X000VUC-WH       | WHITE ON ORANGE, VINYL TAPE       |                   |          |             |
| T100X000VWC-WH       | WHITE ON RED, VINYL TAPE          |                   | GMV4-C   |             |
| T100X000VSC-WH       | WHITE ON GREEN, VINYL TAPE        |                   |          |             |
| T100X000VQC-WH       | WHITE ON BLUE, VINYL TAPE         |                   | GMRS     | 216"        |
| T100X000YKC-WH       | WHITE ON CLEAR, POLYESTER TAPE    |                   |          |             |
| T100X000RXC-BK       | BLACK ON YELLOW, REFLECTIVE VINYL |                   |          |             |
| T100X000RUC-BK       | BLACK ON ORANGE, REFLECTIVE VINYL |                   |          |             |
| T100X000RPC-BK       | BLACK ON WHITE, REFLECTIVE VINYL  |                   |          |             |



3 OF 3

NOTES:  
1. DIMENSIONS IN [ ] ARE IN MILLIMETERS.

4

4

4

| REV | DATE     | BY  | CHK  | APR  | DESCRIPTION                                                                                                                                        | ECN        |
|-----|----------|-----|------|------|----------------------------------------------------------------------------------------------------------------------------------------------------|------------|
| 4   | 10/3/14  | RVU | SEWH | MSAD | T038X000VXC-BK, T050X000VXC-BK, T075X000VXC-BK AND T100X000VXC-BK, MATERIAL: GMV14 WAS GMV15. REMOVE NOTE 2. COMBINE OTHER DWG., C10866, & C10867. | GAECN02340 |
| 3   | 10/12/12 | RVU | SEWH | MSAD | T024X000VPC-BK, T038X000VPC-BK, T050X000VPC-BK, T075X000VPC-BK, T100X000VPC-BK, MATERIAL: GMV14 WAS GMV15.                                         | GAECN00372 |
| 2   | 10/19/10 | RVU |      |      | UPDATE ALL TABLE FROM THE NEW PART NO.                                                                                                             | 6195       |
| 1   | 4/14/09  | LDG |      |      | ADDED T050X000VPC-RD, T100X000VPC-RD.                                                                                                              | 5702       |
| 0   | 4/30/08  | RVU |      |      | DRAWING RELEASE                                                                                                                                    | 5403       |

|                                                                                |         |      |                                                 |            |  |
|--------------------------------------------------------------------------------|---------|------|-------------------------------------------------|------------|--|
| TITLE<br><b>P1 T***X*** CASSETTE CONTINUOUS TAPE LABEL</b><br>CUSTOMER DRAWING |         |      |                                                 |            |  |
| ITEM REVISION NAME                                                             |         |      | 10074380/23                                     |            |  |
| DATASET FILE NAME                                                              |         |      | 10074380_DC_C10695/23E                          |            |  |
| UNLESS OTHERWISE SPECIFIED, DIMENSIONAL TOLERANCES ARE: IN [ mm ]              |         |      | <b>PANDUIT</b><br>MATERIAL:<br><b>SEE TABLE</b> |            |  |
| .x ± .xxx ± .025 [ .635 ]<br>.xx ± .03 [ .762 ] ANGLS ±                        |         |      | DRAWING NUMBER:<br>C10695                       |            |  |
| THIRDS ANGLE PROJECTION<br>                                                    |         |      |                                                 |            |  |
| DRAWN BY                                                                       | DATE    | CHK  | SCALE                                           | SHT 1 OF 1 |  |
| RVU                                                                            | 4/30/08 | MSAD | NTS                                             | A          |  |