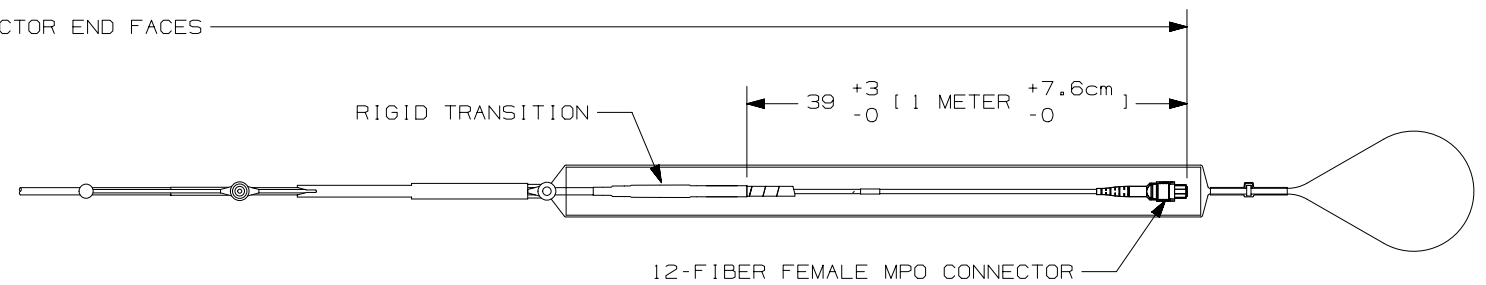
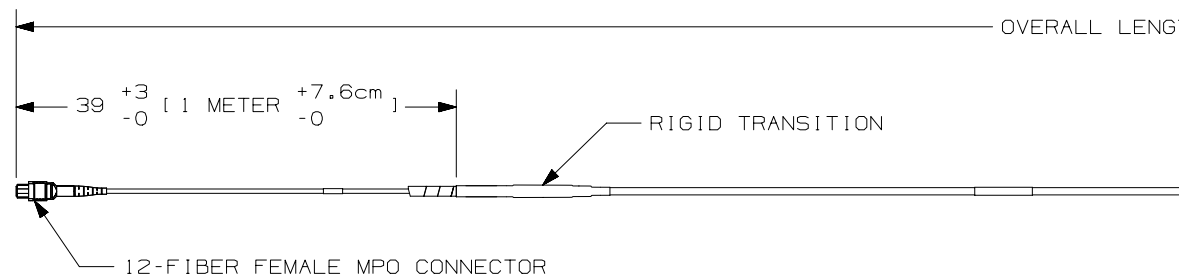
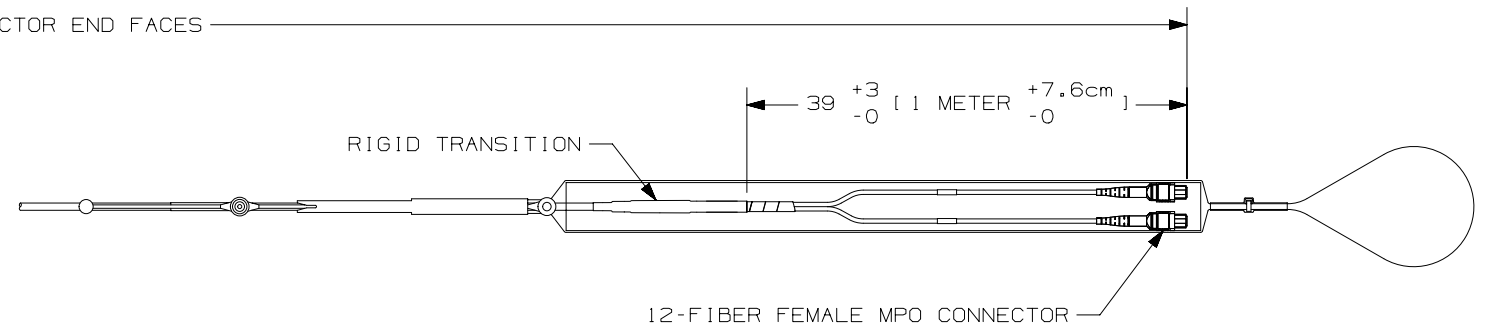
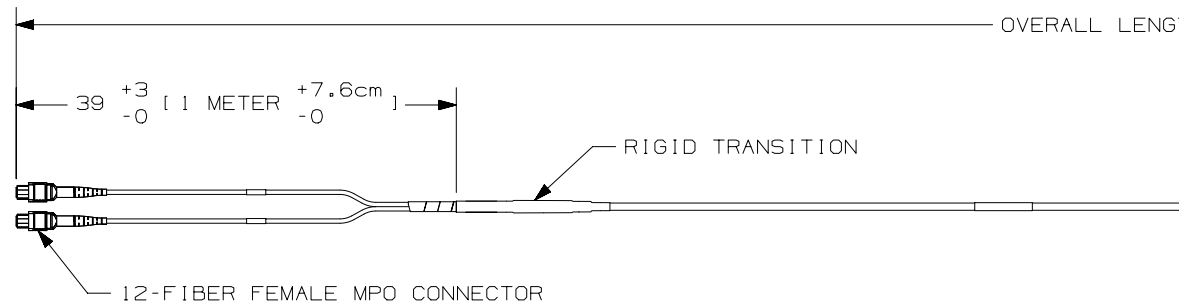


NOTES:

1. SEE SHEET 2 FOR PART NUMBERS.
2. CONNECTOR MEETS THE REQUIREMENTS OF TIA-568-C.3.
3. A. LSZH-RATED CABLE ASSEMBLIES MEET IEC-60332, IEC-60754 AND IEC-61034 REQUIREMENTS.
B. PLENUM RATED CABLE ASSEMBLIES MEET NFPA 262.
4. CABLE MEETS THE MECHANICAL REQUIREMENTS OF ICEA-S-83-596 AND TELCORDIA GR-409-CORE.
5. ALL MATERIALS AND COMPONENTS USED MEET THE MATERIAL RESTRICTIONS OF RoHS (EUROPEAN DIRECTIVE 2011/65/EC ON THE RESTRICTION OF HAZARDOUS SUBSTANCES) AS PROPOSED BY THE RoHS TECHNICAL ADAPTATION COMMITTEE.
6. MAXIMUM STRENGTH OF THE PULLING EYE IS 20 lbs.



REV	DATE	BY	CHK	APR	DESCRIPTION	ECN
04	09-02-14	SAT	WMA	RWB	RELEASED TO PRODUCTION	12F178BG-DC

TITLE 12 & 24 FIBER MPO TO MPO SMALL DIAMETER TRUNK CABLE WITH PULLING EYE		
CUSTOMER DRAWING		
ITEM REVISION NAME 12F178BG/01		MATERIAL:
DATASET FILE NAME 12F178BG_DC/01D		
UNLESS OTHERWISE SPECIFIED, DIMENSIONAL TOLERANCES ARE: IN [mm]		DRAWING NUMBER: 12F178BG-DC
.X : .XXX ± .010 [0.3] .XX : .03 [0.8] ANGLES ±		
THIRD ANGLE PROJECTION	THIRD ANGLE PROJECTION	
DRAWN BY SAT	DATE 03-11-13	CHK WMA
SCALE NONE		
SHT 1 OF 2		SIZE B



THIS COPY IS PROVIDED ON A RESTRICTED BASIS AND IS NOT TO BE USED IN ANY WAY DETRIMENTAL TO THE INTERESTS OF PANDUIT CORP.

1	2	3	4	5	6	7	8	9	10	11	12	13	14	15
F			Y			E		E						

FIBER TYPE

- 9 - SINGLEMODE - OS1/OS2
- X - 50/125um - OM3
- Z - 50/125um - OM4
- S - 50/125um - OM4+ (NOT AVAILABLE WITH PANMPO)

FIBER COUNT

- T - 12 FIBER
- U - 24 FIBER

JACKET FLAME RATING

- L - LSZH RATED
- P - PLENUM RATED (OFNP)

CONNECTOR TYPE

- 5 - MTP (FEMALE)
- 6 - MTP (MALE)
- 7 - PANMPO (FEMALE) NOT AVAILABLE IN SINGLEMODE
- 8 - PANMPO (MALE) NOT AVAILABLE IN SINGLEMODE

PERFORMANCE/POLARITY

- A - METHOD A POLARITY/STANDARD IL
- B - METHOD B POLARITY/STANDARD IL
- X - METHOD A POLARITY/OPTIMIZED IL
- Y - METHOD B POLARITY/OPTIMIZED IL

PULLING EYE

- A - PULLING EYE ON ONE END
- C - PULLING EYE ON BOTH ENDS
- N - NO PULLING EYE (PULLING EYE NOT RECOMMENDED FOR ASSEMBLIES LESS THAN 20 METERS/65 FEET)

UNIT OF MEASURE

- M - METERS
- F - FEET

LENGTH

001 - 999

B

B



A

A

REV	DATE	BY	CHK	APR	DESCRIPTION	ECN
04	09-02-14	SAT	WMA	RWB	REFER TO SHEET 1 REVISION HISTORY	12F178BG-DC

TITLE 12 & 24 FIBER MPO TO MPO SMALL DIAMETER TRUNK CABLE WITH PULLING EYE CONTROL DRAWING	
ITEM REVISION NAME 12F178BG/01	
DATASET FILE NAME 12F178BG_DC/01D	
UNLESS OTHERWISE SPECIFIED, DIMENSIONAL TOLERANCES ARE: IN [mm]	
.x ± .1 [2.54]	.xxx ± .005 [0.127]
.xx ± .01 [0.25]	ANGLES ± 5°
DRAWING NUMBER: 12F178BG_DC	
DRAWN BY MC	DATE 11-13-13
CHK WMA	SCALE NONE
SHT 2 OF 2	
SIZE B	

