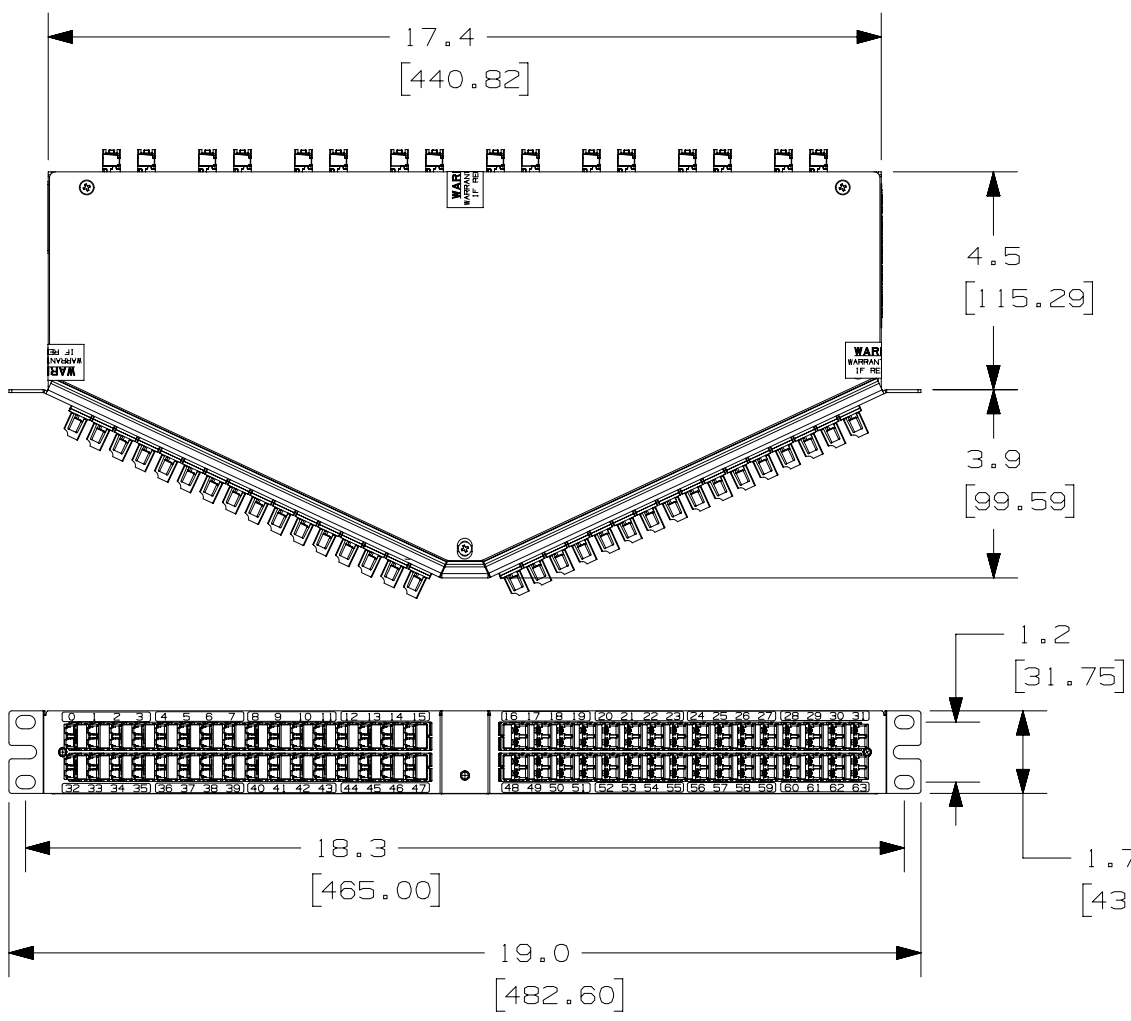
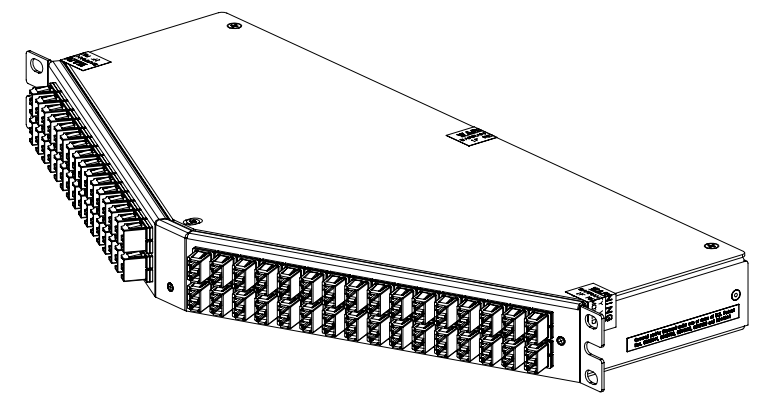


THIS COPY IS PROVIDED ON A RESTRICTED BASIS AND IS NOT TO BE USED IN ANY WAY DETRIMENTAL TO THE INTERESTS OF PANDUIT CORP.



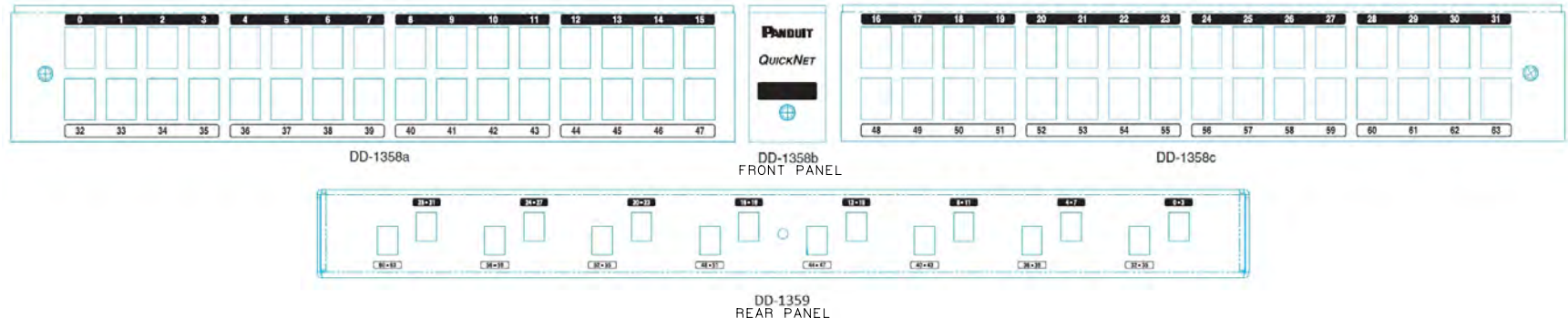
- NOTES:
1. SEE CURRENT CATALOG FOR PART NUMBER SUFFIXES TO INDICATE COLOR AND/OR PACKAGE QUANTITIES.
 2. SEE CATALOG FOR A COMPLETE LIST OF PARTS APPLICABLE FOR USE WITH THIS PRODUCT.
 3. REFERENCE TIA-568-C.O. FOR DETAILS ON METHOD A CONNECTIVITY.
 4. MATERIALS:
A. FRONT PANEL: STEEL
B. BOX AND LID: ALUMINUM
C. ADAPTERS: COMPOSITE PLASTIC
 5. CASSETTE WEIGHT: 46.0oz (1300.0g)
 6. DIMENSIONS IN BRACKETS ARE METRIC
 7. ALL MATERIALS AND COMPONENTS USED MEET THE MATERIAL RESTRICTIONS OF RoHS, (EUROPEAN DIRECTIVE 2011/65/EC ON THE RESTRICTIONS OF HAZARDOUS SUBSTANCES) AS PROPOSED BY THE RoHS TECHNICAL ADAPTATION COMMITTEE.



01	09-24-13	SAT	YMG		RELEASED TO PRODUCTION				12F193AB-DC			
REV	DATE	BY	CHK	APR	DESCRIPTION	ECN	DRAWN BY	DATE	CHK	SCALE	DRAWING NUMBER:	SIZE
							SAT	05-15-13	YMG	NONE	SHT 1 OF 3	A

TITLE											
HDQ SERIES FIBER OPTIC ANGLED CASSETTES FOR BROCADE 64 PORTS (128 FIBERS)											
CUSTOMER DRAWING											
ITEM REVISION NAME											
12F193AB/02											
DATASET FILE NAME											
12F193AB_DC/02B											
UNLESS OTHERWISE SPECIFIED, DIMENSIONAL TOLERANCES ARE: IN (mm)											
.x ±						.xxx ± .010 (0.3)					
.xx ± .03 (0.8)						ANGLES ±					
THIRD ANGLE PROJECTION											
DRAWING NUMBER:											
12F193AB-DC											
DRAWN BY											
SAT											
DATE											
05-15-13											
CHK											
YMG											
SCALE											
NONE											
SHT 1 OF 3											
SIZE											
A											

THIS COPY IS PROVIDED ON A RESTRICTED BASIS AND IS NOT TO BE USED IN ANY WAY DETRIMENTAL TO THE INTERESTS OF PANDUIT CORP.



01	09-24-13	SAT	YMG		RELEASED TO PRODUCTION	12F193AB-DC
REV	DATE	BY	CHK	APR	DESCRIPTION	ECN

TITLE		HDQ SERIES FIBER OPTIC ANGLED CASSETTES FOR BROCADE 64 PORTS (128 FIBERS)	
		CUSTOMER DRAWING	
ITEM REVISION NAME		12F193AB/02	
DATASET FILE NAME		12F193AB_DC/02B	
UNLESS OTHERWISE SPECIFIED, DIMENSIONAL TOLERANCES ARE: IN (mm)			
.x ± .xxx ± .010 (0.3)			
.xx ± .03 (0.8) ANGLES ±		MATERIAL: SEE NOTES SHEET 1	
		DRAWING NUMBER: 12F193AB-DC	
DRAWN BY	DATE	CHK	SCALE
SAT	05-15-13	YMG	NONE
SHT 3 OF 3			SIZE A