

THIS COPY IS PROVIDED ON A RESTRICTED BASIS AND IS NOT TO BE USED IN ANY WAY DETRIMENTAL TO THE INTERESTS OF PANDUIT CORP.

NOTES:

1. SEE CURRENT CATALOG TO INDICATE PACKAGE QUANTITY.
2. SEE CATALOG FOR COMPLETE LIST OF PARTS APPLICABLE FOR USE WITH THIS PART.
3. PRODUCT DESCRIPTION:
 - A. 1 LANE, 10 Gbps/LANE
 - B. STANDARD SFP+ CONNECTOR
 - C. CL2 RATED JACKET
 - D. JACKET COLOR: BLUE (BU), WHITE (WH), BLACK (BL), RED (RD) OR GREEN (GR)
4. MATES WITH SFP+ SFF-8431 INTERFACE
5. CABLE LABEL CONTAINS PRODUCT DESCRIPTION, PART NUMBER, LENGTH AND WIRE GAUGE, AND MANUFACTURING SERIAL NUMBER.

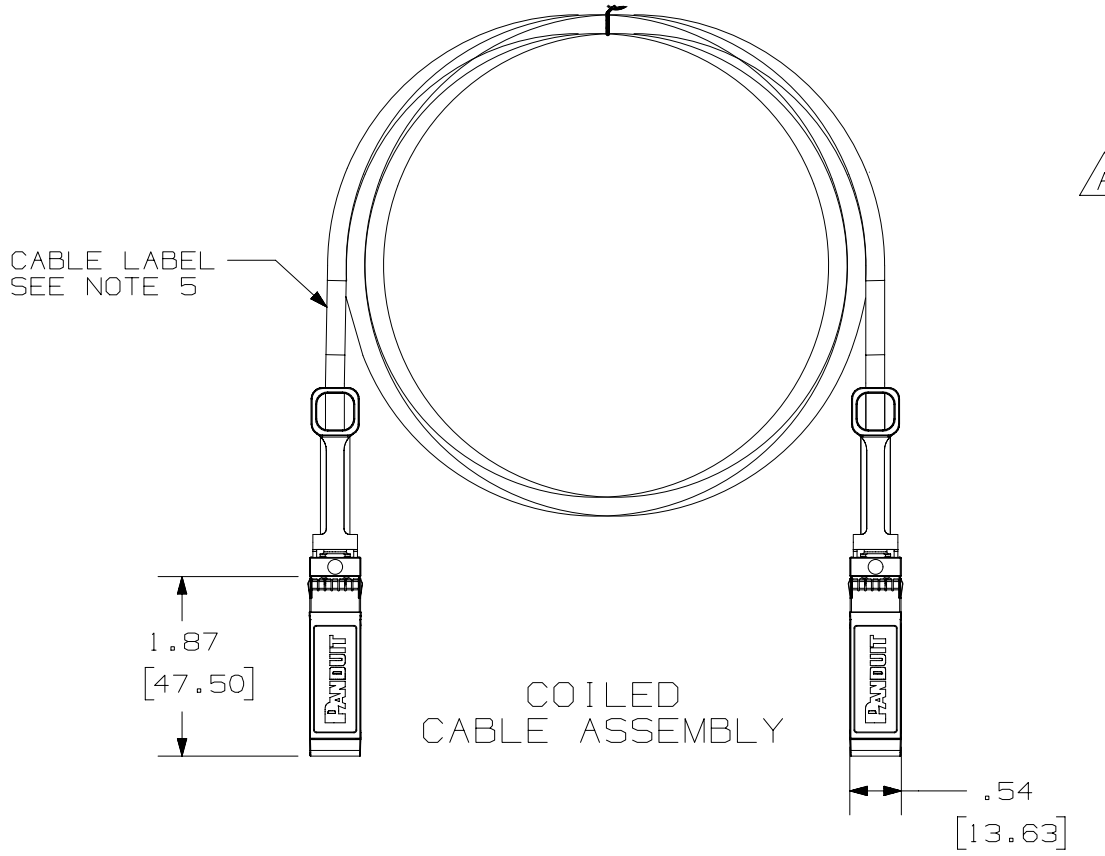
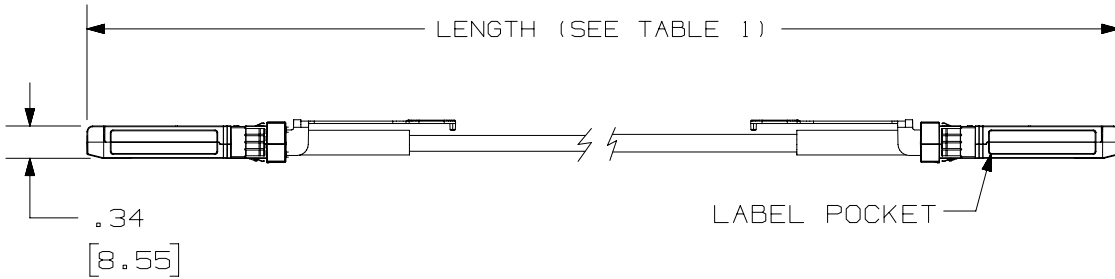


TABLE 1
CABLE ASSEMBLY

PART NUMBER	LENGTH METERS (+.15, -0)	LENGTH FEET (+.5, -0)	CABLE AWG	WEIGHT LBS
PSF1PXA0.5M**	0.5	1.64	30	0.10
PSF1PXA1M**	1	3.28	30	0.13
PSF1PXA1.5M**	1.5	4.92	30	0.16
PSF1PXA2M**	2	6.56	30	0.19
PSF1PXA2.5M**	2.5	8.20	30	0.22
PSF1PXA3M**	3	9.84	30	0.24
PSF1PXA3.5M**	3.5	11.48	30	0.27
PSF1PXD3.5M**N	3.5	11.48	24	0.35
PSF1PXD4M**	4	13.12	24	0.49
PSF1PXD4.5M**	4.5	14.76	24	0.55
PSF1PXD5M**	5	16.40	24	0.60
PSF1PXD5.5M**	5.5	18.04	24	0.65
PSF1PXD6M**	6	19.69	24	0.70
PSF1PXD6.5M**	6.5	21.33	24	0.75
PSF1PXD7M**	7	22.97	24	0.81

**CABLE COLOR IN BLUE (BU), WHITE (WH), BLACK (BL), RED (RD), GREEN (GR), OR ORANGE (OR)



PART NUMBER	SEE TABLE 1	PRODUCT SPEC/PKG SPEC	N/A
I.T. NUMBER	N/A	WORK INSTRUCTION	N/A

TITLE
SFP+ PASSIVE CABLE ASSEMBLY
CUSTOMER DRAWING

ITEM REVISION NAME	M03075FF/00	PANDUIT
DATASET FILE NAME	M03075FF_DC18/00F	
UNLESS OTHERWISE SPECIFIED, DIMENSIONAL TOLERANCES ARE: IN [mm]		MATERIAL:
.x ± .1 [2.54]	.xxx ± .005 [0.127]	DRAWING NUMBER: 03075-18
.xx ± .01 [0.25]	ANGLES ± 5°	
THIRD ANGLE PROJECTION		

REV	DATE	BY	CHK	APR	DESCRIPTION	ECN
5	8/21/14	JSP	REFR	FMS	B. ADDED ORANGE CABLES.	03075-18
4	7-15-13	BJN	JAV	FMS	A. ADDED RED & GREEN CABLE COLORS REVISED & REDRAWN PREVIOUS HISTORY REMVD FOR CLARITY	03075-18

DRAWN BY	DATE	CHK	SCALE	SHT 1 OF 2	SIZE
MDJr	10-09-08	WFMI	NONE		A

D10100DA/14