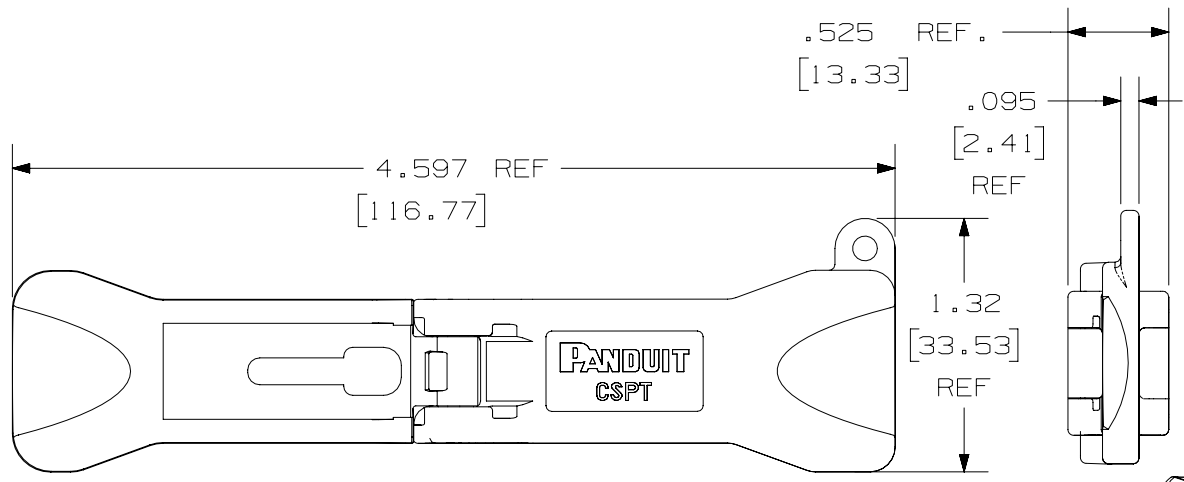


2

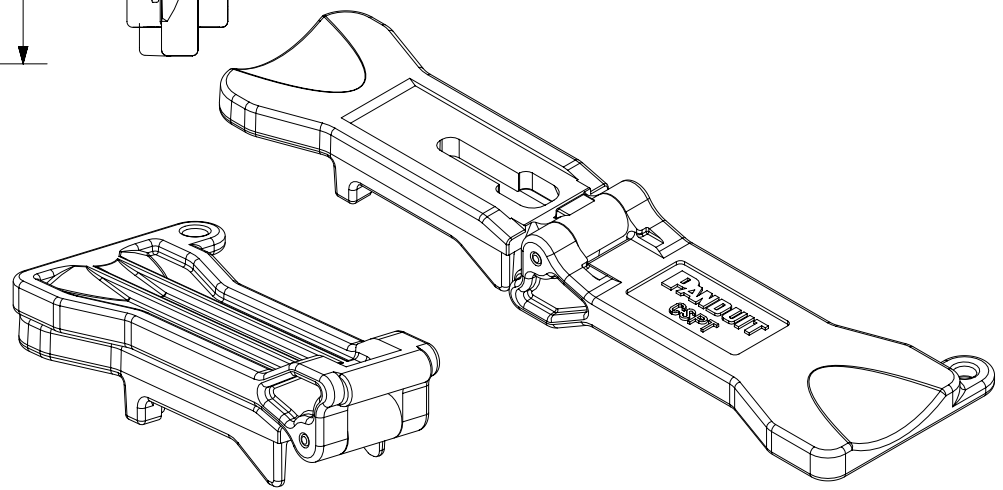
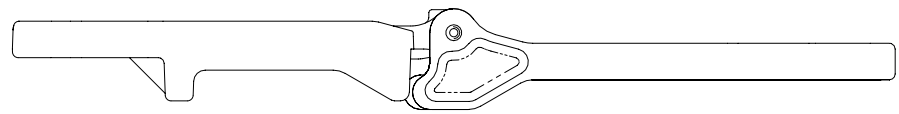
1

THIS COPY IS PROVIDED ON A RESTRICTED BASIS AND IS NOT TO BE USED IN ANY WAY DETRIMENTAL TO THE INTERESTS OF PANDUIT CORP.



PANDUIT P/N	WEIGHT
CSPT	.28 LB/10 PCS (127.0 g/10 PCS)

- NOTES:
1. SEE CURRENT CATALOG FOR PACKAGE QUANTITY.
 2. SEE CATALOG FOR COMPLETE LIST OF PARTS APPLICABLE FOR USE WITH THIS PART.
 3. DIMENSIONS IN [] ARE IN METRIC.



PART NUMBER		CSPT	
TITLE			
TX6 MODULAR PLUG TERMINATION TOOL			
CUSTOMER DRAWING			
ITEM REVISION NAME		M01558BA/00	
DATASET FILE NAME		M01558BA_DC01/00B	
UNLESS OTHERWISE SPECIFIED, DIMENSIONAL TOLERANCES ARE: IN (mm)		MATERIAL:	
.x ± .xx ± .03 (.8)		20% GLASS FILLED NYLON.	
.xxx ± .010 (.3)		DRAWING NUMBER:	
ANGLES ±		01558-01	
THIRD ANGLE PROJECTION		SHT 1 OF 1	
DRAWN BY	DATE	CHK	SCALE
MDJR	11-19-02	PBD	NONE
REV	DATE	BY	CHK
1	1-25-08	JSP	REFR
R	1-25-08	MDJR	PBD
DESCRIPTION		ECN	
A. REVISED DRAWING TITLE BLOCK.		01558-01	
RELEASED TO PRODUCTION		01558-01	

D10100DA/14

2

1