

# Hubbell Gives You More Ways to Charge Faster

## Device Charging Centers



Charge Devices  
Simultaneously!



# USB Charger Receptacles and Outlets

Features



## USB Charger Receptacles and Outlets

### More Ways to Charge Faster

Hubbell's USB Charger Duplex Receptacle provides both USB and electrical power in a standard single gang opening. Designed to provide maximum charging for portable electronics, the USB ports are capable of charging two tablets simultaneously.

The 4 Port Charger Outlet features a USB port door, which when open enables power. When closed, all power is switched off. This eliminates all current flow for a "zero" no-load draw. Buildings looking to provide 100% green efficiency in power delivery will maximize LEED and energy efficient design.

### Common Features

- Green LED indicator to show USB power available
- USB stainless steel ports rated for minimum 10,000 insertions and removals
- Complies with battery charging specification BC1.2
- Compatible with USB 1.1/2.0/3.0 devices, including Apple® products

Apple is a registered trademark of Apple Inc.



Duplex TR

4 Port

### Receptacles Features

- Two USB ports 3.8 Amp, 5V DC, type A, class 2.0
- Tamper-Resistant decorator duplex receptacle
- Standard and Hospital grade
- cULus listed to UL498 and UL1310

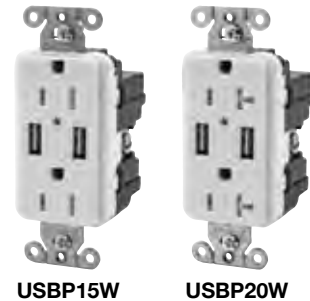
### 4 Port Features

- Four USB ports 5 Amp, 5V DC, type A, class 2.0
- Switch activated port door; when open enables power. When closed, all power is switched off, for a "zero" no-load draw
- cETLus listed to UL1310

### Standard USB Charger Duplex Receptacles



Description	Color	15A 125V AC	20A 125V AC
USB Charger Tamper-Resistant Duplex Receptacle, two USB type 2.0 ports 3.8 Amp, 5 Volt DC, 15 or 20 Amp, 125 Volt AC, Style Line® decorator duplex	Brown	<b>USBP15</b>	<b>USBP20</b>
	Black	<b>USBP15BK</b>	<b>USBP20BK</b>
	Gray	<b>USBP15GY</b>	<b>USBP20GY</b>
	Ivory	<b>USBP15I</b>	<b>USBP20I</b>
	Light Almond	<b>USBP15LA</b>	<b>USBP20LA</b>
	Red	<b>USBP15R</b>	<b>USBP20R</b>
White	<b>USBP15W</b>	<b>USBP20W</b>	



USBP15W

USBP20W

### USB Charger Outlets



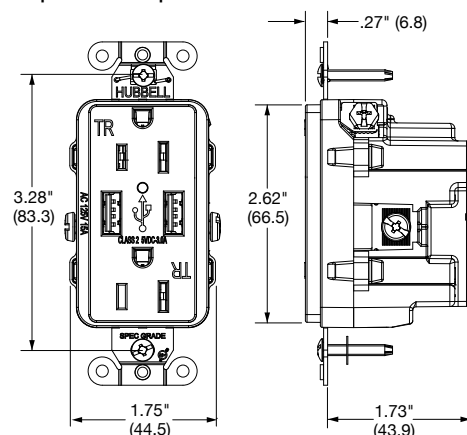
Description	Color	Catalog Number
USB Charger 4 Port Outlet, four USB type 2.0 ports 5 Amp, 5 Volt DC, Style Line® decorator	Brown	<b>USBP4</b>
	Black	<b>USBP4BK</b>
	Gray	<b>USBP4GY</b>
	Ivory	<b>USBP4I</b>
	Light Almond	<b>USBP4LA</b>
	White	<b>USBP4W</b>



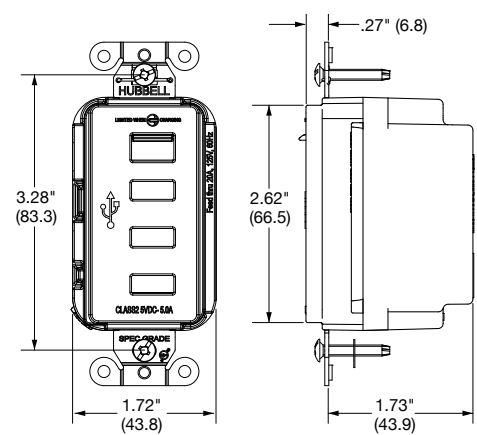
USBP4W

### Dimensions Inches (mm)

#### Duplex Receptacle



#### 4 Port Outlet



# USB Charger Receptacles and Outlets

## Applications

Ideal for use in new construction and in double gang combinations with outlets.

Hubbell's USB Charger Duplex Receptacle provides both USB and electrical power in a standard single gang opening offering more charging options.



## Typical Applications

Ideal for use in new construction and renovation to add capacity for USB charging. Especially suited for use in:

- Offices
- Hotels
- Schools
- Hospitals
- Airports
- Homes

## Energy Information

Device	Full Load Watts	No Load Watts	LED Indication	Maximum USB Output	Smart IC on Data Pins†
Duplex Receptacle	21.8W	0.104W	Always ON	3.8A	Yes
4 Port Charger	30.6W	0W*	On w/Door Open	5.0A	Yes

Note: \*With door open and no device connected.

†Detects portable device and optimally sets data pins for maximum current output.

## Designed for use with:

- Apple® Products
  - iPad®
  - iPod®
  - iPhone®
- Tablet computers
- Digital Readers
- Mobile Phones
- MP3 Players
- Smart Phones
- Smart Watches
- GPS
- USB fans, lights and accessories
- Other USB compatible products

**Spring activated door keeps USB ports protected. Shuts off power when not in use.**



These receptacles/outlets are capable of delivering either 3.8 or 5 Amps, 5V DC of USB power. If multiple portable devices are plugged in, the individual ports will allocate power as determined by the portable devices. Suitable for use on circuits with AFCI and GFCI protection.

Apple, iPad, iPod and iPhone are registered trademarks of Apple Inc.

# USB Charger Receptacles and Outlets

Q & A and Technical Information



Hubbell's USB Charger 4 Port Outlet is able to charge multiple portable devices simultaneously.



## Heavy Duty Stainless Steel USB Ports



- Rated for minimum 10,000 insertions and removals
- Extends longevity to many years
- Firm holding connections

## Specifications

- Rating:
  - Duplex USB: 3.8 Amp, 5V DC
  - 4 Port USB: 5 Amp, 5V DC
- Input voltage: 125V AC, 60Hz
- Circuit feed-through 20 Amp, 125 Volt
- Dielectric withstand: 1500V AC for 1 minute
- Operating temperature:
  - Maximum continuous 75°C;
  - Minimum -40°C (without impact)
- Meets UL94 for 5V flammability rating
- Complies with battery charging specification BC1.2
- Compatible with USB 1.1/2.0/3.0 devices, including Apple® products
- Complies with Part 15 of the FCC rules

Apple is a registered trademark of Apple Inc.

## Why Design with a USB Charger?

- The USB Receptacle is a permanent solution for device charging, compatible with all USB powered portable devices. No more misplaced chargers or dealing with outlet clutter.
- The Hubbell USB Receptacle is designed to last. Its current transformer converts AC power to DC, providing clean, stable power, low heat, and longevity. Plug-in cubes and adapters tend to have a short product life, making the USB Receptacle the economical choice.
- Offering a full 3.8 Amps of power at 5V DC, the Hubbell USB Duplex has the power to charge your device quickly. The 4 Port Outlet has 5 Amps of available power for a similarly rapid charge.

## Performance vs. Energy

- While our devices provide a fast charge, they also excel in efficiency when not in use. When it is not active, the USB Duplex enters a sleep mode and consumes minimal power. The 4 Port Outlet cuts power completely when the shutter is closed, making it our “Go Green” recommendation.

## Where Should a USB Outlet be Installed?

- Anywhere people work, meet or rest, they need access to charging power. Common spaces for charging include desks, counter-tops and end-tables. If you've seen a portable charger in a wall-box, it's a good choice for a permanent solution.
- It's not just for private homes: USB Receptacles are quickly becoming a standard in offices, airports, hospitals and other commercial spaces. From nurses who use tablets for patient care to business people charging their phones before their flights, everyone needs a quick charge -- and the Hubbell USB Receptacle line is the best choice for the job!

## How Fast Does it Charge?

There are many variables which determine total charging time like battery age, cord quality and length, and device condition. Hubbell's USB Chargers are designed to deliver more amperage. This enables you to get more power immediately when plugging in multiple portable devices. The individual ports will allocate power as determined by the portable devices.

For more information visit [www.hubbell-wiring.com](http://www.hubbell-wiring.com), go to FAQ under the Technical tab.

**HUBBELL**<sup>®</sup>  
Premise Wiring

[www.hubbell-premise.com](http://www.hubbell-premise.com)

