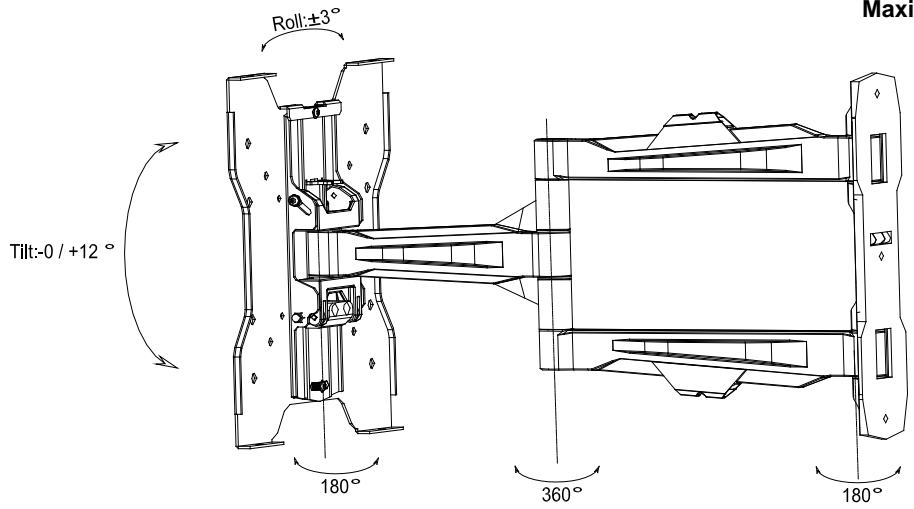
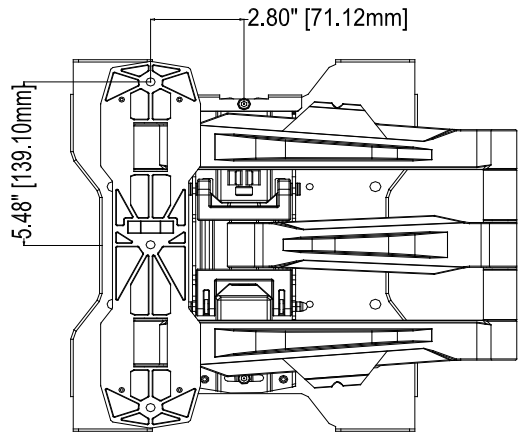
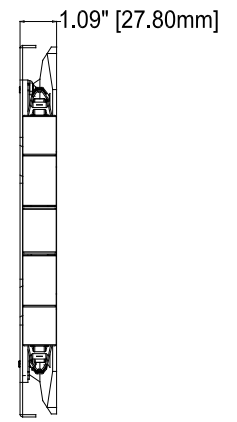
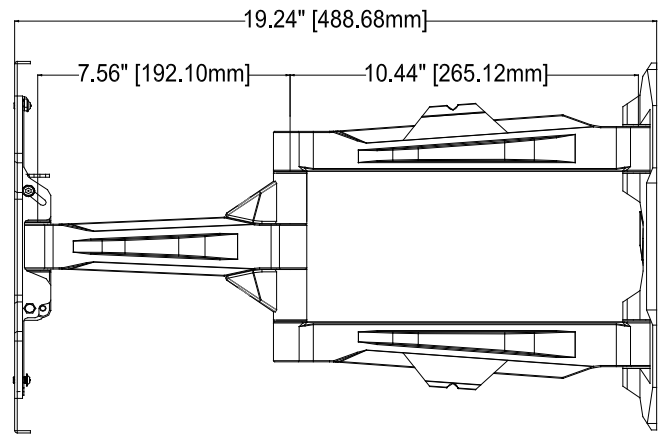
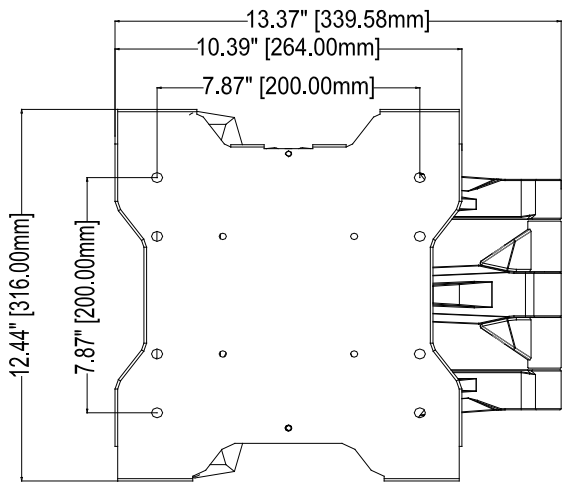


1 2 3 4 5 6 7 8

D  
C  
B  
A



Maximum load rating: 80 lbs



THE INFORMATION CONTAINED IN THIS DRAWING IS THE SOLE PROPERTY OF CRIMSON AV LLC. ANY REPRODUCTION IN PART OR AS A WHOLE WITHOUT THE WRITTEN PERMISSION OF CRIMSON AV LLC IS PROHIBITED



**CRIMSON AV LLC.**  
 PRODUCT ORDER NUMBER: **AU42**  
 PHONE: **1-866-668-6888**

Scale=1:1

Crimson AV LLC. www.crimsonav.com	
TITLE:	<b>AU42</b>
SIZE	DWG.N.O.
B	<b>AU42</b>

1 2 3 4 5 6 7 8