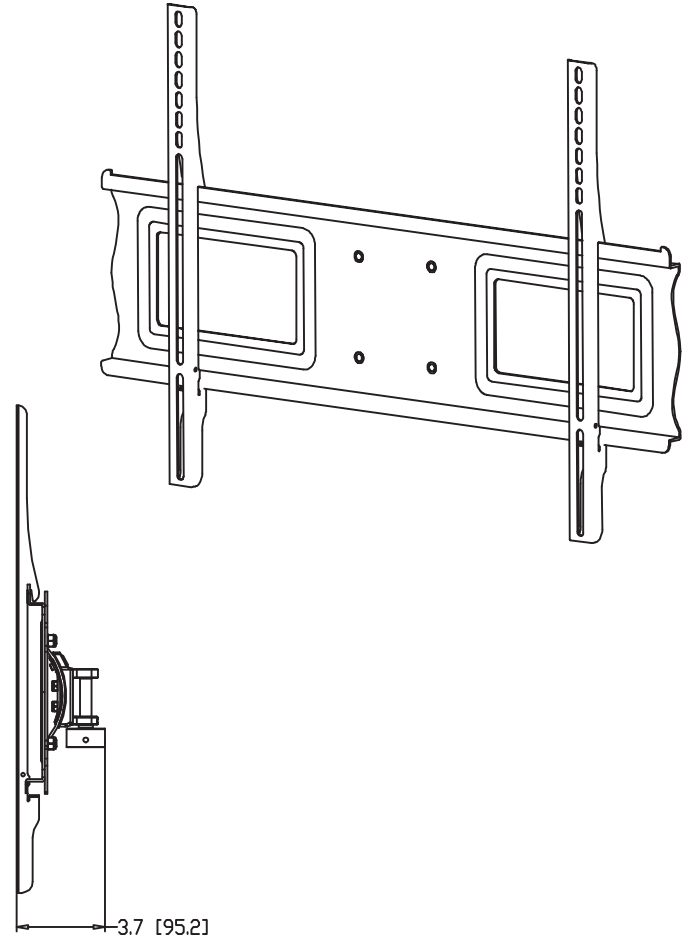


±15°



THE INFORMATION CONTAINED IN THIS DRAWING IS THE SOLE PROPERTY OF CRIMSON AV LLC. ANY REPRODUCTION IN PART OR AS A WHOLE WITHOUT THE WRITTEN PERMISSION OF CRIMSON AV LLC IS PROHIBITED



CRIMSON AV LLC.

PRODUCT ORDER NUMBER:
PHONE: **1-866-668-6888**

U756

CRIMSON AV LLC
10513 UNITED PARKWAY
SCHILLER PARK, IL 60176

TITLE:

U756

SIZE
B

DWG. NO.

U756