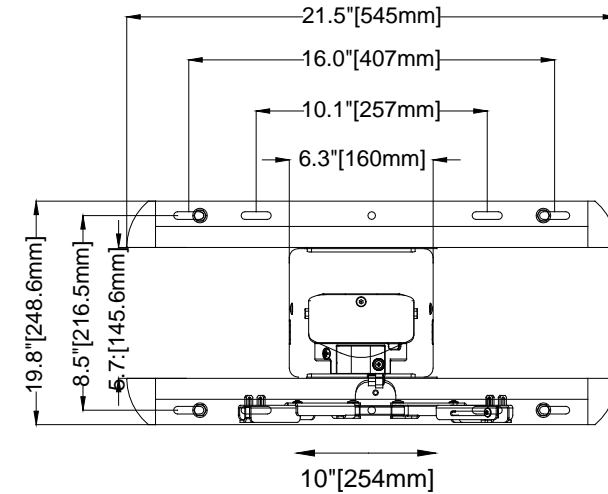
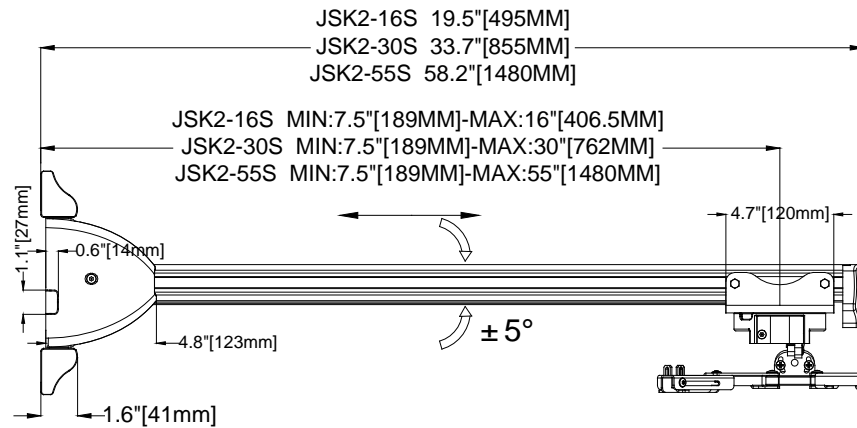
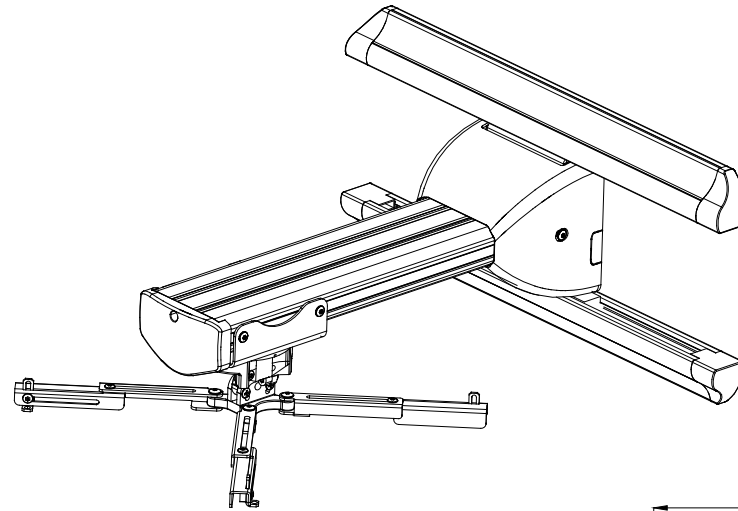


Maximum load rating: 50 lbs



THE INFORMATION CONTAINED IN THIS DRAWING IS THE SOLE PROPERTY OF CRIMSON AV LLC. ANY REPRODUCTION IN PART OR AS A WHOLE WITHOUT THE WRITTEN PERMISSION OF CRIMSON AV LLC IS PROHIBITED



CRIMSON AV LLC.

PRODUCT ORDER NUMBER: JSK2-16S/30S/55S
 PHONE: 1-866-668-6888

Scale=1:1

Crimson AV LLC.
 www.crimsonav.com

TITLE:
JSK2-16S/30S/55S

SIZE DWG.N.O.
B JSK2-16S/30S/55S