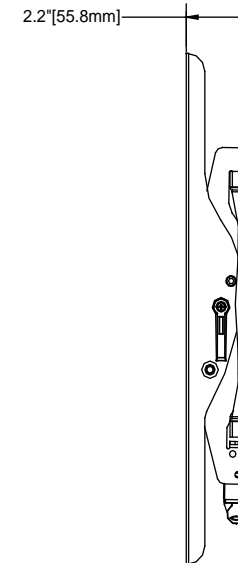
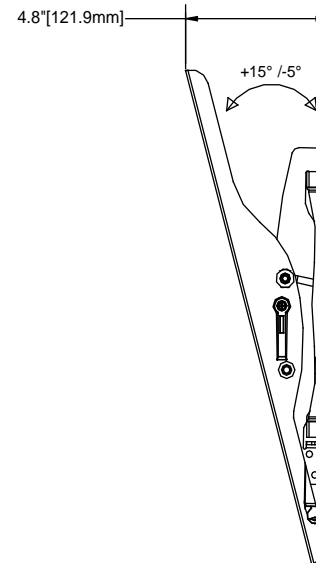
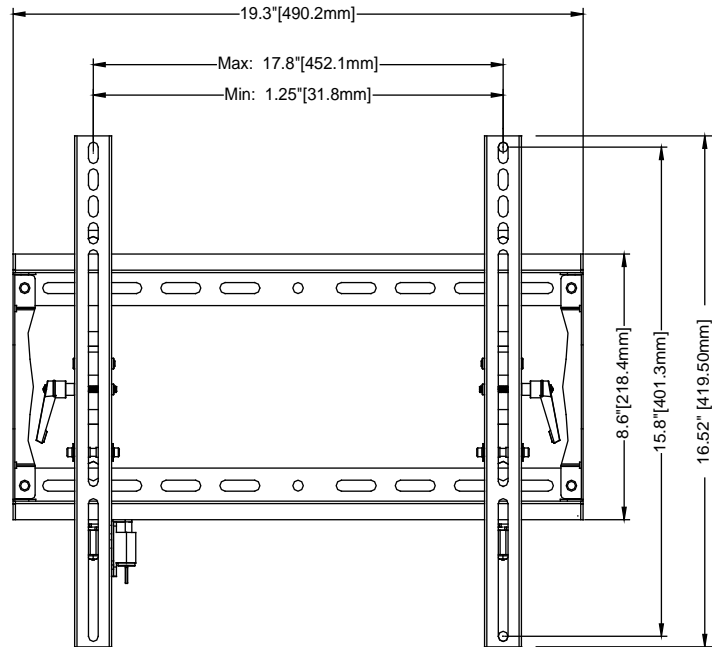
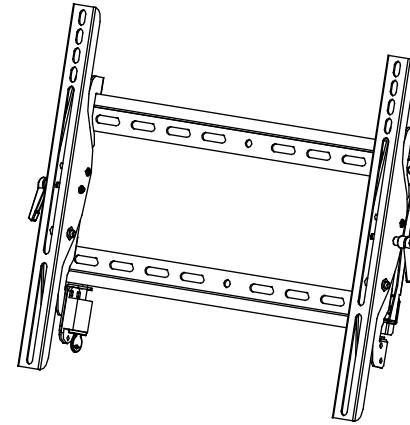


Maximum load rating: 150 lbs



THE INFORMATION CONTAINED IN THIS DRAWING IS THE SOLE PROPERTY OF CRIMSON AV LLC. ANY REPRODUCTION IN PART OR AS A WHOLE WITHOUT THE WRITTEN PERMISSION OF CRIMSON AV LLC IS PROHIBITED



CRIMSON AV LLC.

PRODUCT ORDER NUMBER: **T46L**  
PHONE: 1-866-668-6888

Scale=1:1

Crimson AV LLC.  
www.crimsonav.com

TITLE:  
**T46L**

SIZE B DWG.N.O.  
**T46L**