

ZxA1-90

8-Inch Two-Way 800 Watt Amplified Loudspeaker System

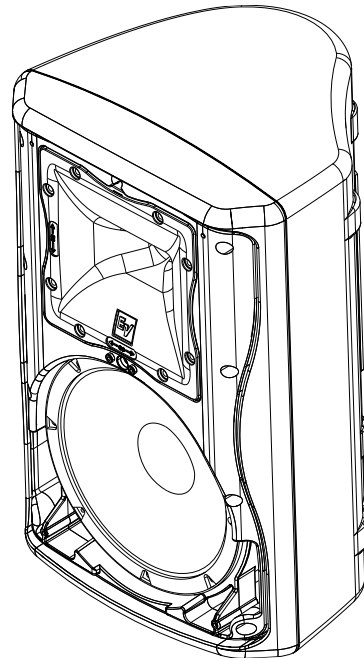


Key Features:

- 800 W Class D Lightweight Amplifier
- Lightweight and Durable ABS Enclosure
- 2-way loudspeaker with EV8L 8" Woofer and DH2005 Titanium Compression Driver
- Rotatable High Frequency Waveguide with Two (2) Coverage Patterns
- Bi-Amplified Design with 24dB/Octave Filter Slopes and Transducer Protection
- Selectable 100Hz High Pass Filter for use with an External Subwoofer
- XLR/TRS Combo Line Input
- XLR Microphone Input with Gain Control
- XLR Summed Output
- LED Indicators for Power On and Limit
- Pole Mount
- 45° Monitor Angle

General Description:

Only to be expected from Electro-Voice, the ZxA1-90 packs a big-stage punch. Electro-Voice drivers, components, and amplifiers are legendary—all proven at the highest levels of live performance. ZxA1-90 wraps Electro-Voice technology in a durable, lightweight cabinet, resulting in the most powerful and versatile compact loudspeaker available today. Match ZxA1-90 with the ZxA1-Sub to create a truly exceptional professional sound system. The Electro-Voice ZxA1-90 powered loudspeakers are fully integrated audio systems with carefully matched electronics and transducers. These products make it easy to setup a high quality sound system quickly with a minimum amount of cables and external electronics. The Electro-Voice ZxA1-90 is a compact, amplified loudspeaker system, which is designed for portable sound reinforcement applications that require maximum portability. The ZxA1-90 utilizes the EV8L, a high output, low distortion, 203mm (8 inch) woofer. The woofer is paired with the DH2005, a titanium diaphragm true compression driver. The compression driver is coupled to a rotatable 90° x 50° waveguide for smooth response to 20kHz and excellent pattern control. The ZxA1-90 loudspeaker is powered by an integrated 800W, bi-amp module. The amplifier has a dedicated XLR micro input and a combo XLR/TRS line level input as well as an XLR line level output for daisy chaining several ZxA1-90 units together or adding a ZxA1-SUB. The bi-amplified design features steep crossover slopes and woofer excursion protection for maximum output and reliability. A switchable high-pass filter allows for use with the ZxA1-SUB. The ZxA1-90 injection molded enclosure is made from high impact ABS for durability and light weight. The handle pocket and pole mount make the ZxA1-90 ideal for many portable applications. The ZxA1-90 enclosure also features a built in 45° monitor angle for floor monitor applications. The bottom of the ZxA1-90 features four (4) #8-32 suspension points for permanent installation.



Technical Specifications:

Freq. Response (-3dB):	60Hz–20kHz ¹
Freq. Range (-10dB):	48Hz–20kHz ¹
Max. Measured SPL:	126dB ^{1,3}
Coverage (Horiz. x Vert.):	90° x 50°
Power Rating:	800W
LF Transducer::	(1) EV-8L, 204mm (8") Woofer
HF Transducer:	DH-2005, 25mm (1") Exit Compression Driver
Crossover Frequency:	1.8kHz
Connectors:	(1) XLR Mic Input with Gain Control, (1) XLR/TRS Combo Jack, (1) XLR Link Output
Enclosure Material:	ABS
Grille:	18GA Steel with Black Powdercoat
Mains Requirements:	100V: 80V–110V, 0.7A ⁴ , 50–60Hz 120V: 95V–132V, 0.6A ⁴ , 50–60Hz 230V: 190V–264V, 0.4A ⁴ , 50–60Hz
Dimensions (H x W x D):	457mm x 282mm x 264mm (17.99" x 11.10" x 10.39")
Net Weight:	8.6kg (19.0lbs)
Shipping Weight:	10.3kg (22.7lbs)

1. Full-Space

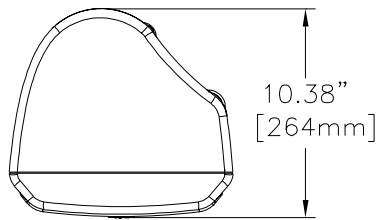
2. Half-Space

3. Typical maximum SPL value at one (1) meter over the usable frequency range. measure with a pink-noise burst signal, using internal signal processing and amplifier driven to peak output.

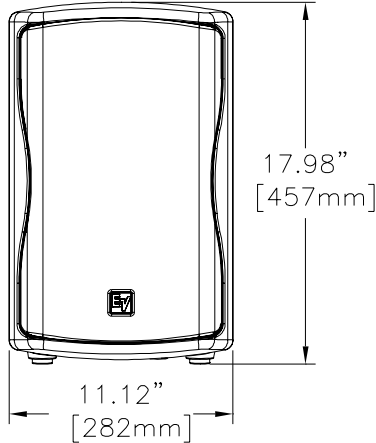
4. 1/8 power



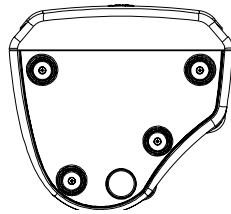
Dimension Drawings:



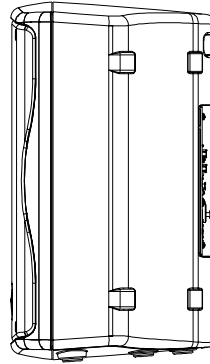
Top View



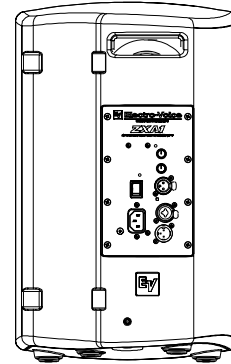
Front View



Bottom View

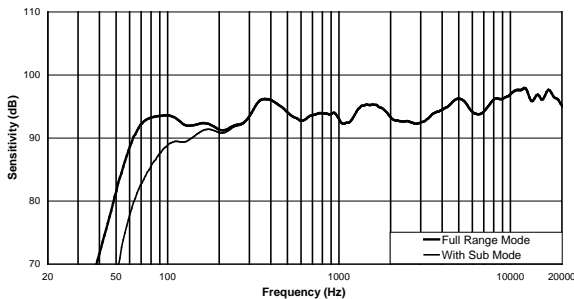


Right View



Rear View

Frequency Response:



ZxA1-90 System Model/Commercial Code

- ZxA1-90B-100V ZxA1-90B, 100V, Black, 90° x 50° Coverage
- ZxA1-90W-100V ZxA1-90W, 100V, White, 90° x 50° Coverage
- ZxA1-90B-120V ZxA1-90B, 120V, Black, 90° x 50° Coverage
- ZxA1-90W-120V ZxA1-90W, 120V, White, 90° x 50° Coverage
- ZxA1-90B-230V ZxA1-90B, 230V, Black, 90° x 50° Coverage
- ZxA1-90W-230V ZxA1-90B, 230V, White, 90° x 50° Coverage

Accessories

- MP1-B MP1-B, Mounting Plate Kit, Black
- CB1 CB1, Carrying Bag, Convertible, Black
- SC-ZX1 SC-Zx1, Slip Cover for Zx1, Black
- CA-ZX CA-Zx, Truss Clamp Adapter for Zx1
- TSS-1 TSS-1, Tripod Speaker Stand
- TSP-1 TSP-1, (2) TSS-1 Tripod Speaker Stands with Carrying Case

Specifications subject to change without notice.

Electro-Voice

12000 Portland Avenue South, Burnsville, MN 55337
Phone: 952/884-4051, Fax: 952/884-0043

www.electrovoice.com

© Bosch Communications Systems 09/2011

Part Number F.01U.169.225 Rev 04

U.S.A. and Canada only. For customer orders, contact Customer Service at:
800/392-3497 Fax: 800/955-6831

Europe, Africa, and Middle East only. For customer orders, contact Customer Service at:
+ 49 9421-706 0 Fax: + 49 9421-706 265

Other International locations. For customer orders, Contact Customer Service at:
+ 1 952 884-4051 Fax: + 1 952 887-9212

For warranty repair or service information, contact the Service Repair department at:
800/685-2606

For technical assistance, contact Technical Support at: 866/78AUDIO