



General Description:

The Electro-Voice® Models US600EL and US602FL are low impedance handheld dynamic microphones with a push-to-talk switch. The model US600EL is an omnidirectional microphone with a tailored frequency response for high articulation speech transmission under normal ambient noise conditions. The model US602FL is a bidirectional, noise-cancelling microphone designed for high articulation speech transmission in high ambient noise conditions. The microphone can be used in noisy situations where successful voice communications would otherwise be impossible. Both microphones have a high output level and great performance stability through wide extremes of temperature and humidity, making the US600EL and US602FL an excellent choice for communications. Typical applications include amateur radio, police, marine services, commercial and paging. The US602FL noise-cancelling characteristic makes it especially effective for use in public address applications where severe feedback due to microphone position in relation to loudspeakers is a problem. The US600EL and US602FL are designed for comfortable, convenient use. The functional styling, the extremely durable Polycarbonate housing and the lifetime switch assembly all result in a microphone with superior performance, capable of long-term survival in the most demanding applications.



Architects' and Engineer's Specifications, US600EL

The microphone shall be a dynamic omnidirectional handheld type with uniform frequency response from 100 to 7,000 Hz. The case shall be molded of high impact plastic with black textured finish. A panel mounting bracket shall be supplied. The microphone shall have a net weight of 243.5 g (8.6 oz) including cable. The microphone shall have a nominal impedance value of 150 ohms. Output level shall be -55 dB (0 dB = 1 mW/10 dynes/cm²). Cable shall be 4-conductor (2-shielded), rubber-jacketed, black coiled cord extendible to 1.8 m (6 ft.). Microphone circuit shall be balanced with respect to ground. An integral press-to-talk switch shall be provided, connected in a manner such that microphone element is shorted in "off" position while microphone line to amplifier remains "open" for multiple microphone paging applications. Cable circuits are isolated from microphone circuits. The Electro-Voice model US600EL is specified.

Architects' and Engineer's Specifications, US602FL

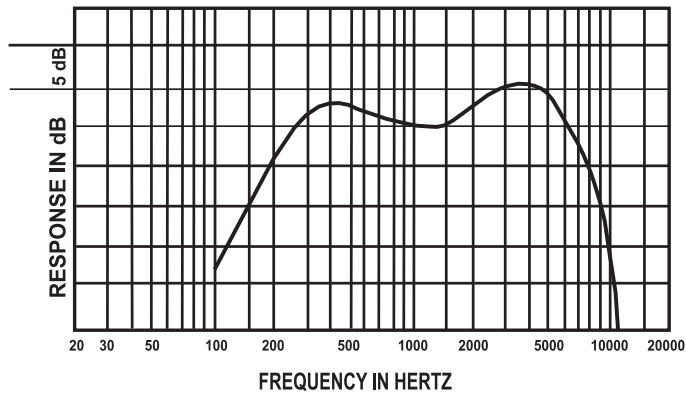
The microphone shall be a noise-cancelling dynamic type, with uniform frequency response from 200 to 5,000 Hz.

Technical Specifications:

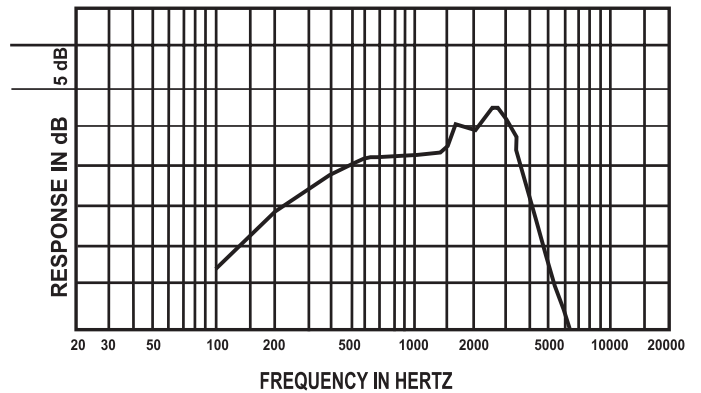
| | US600EL | US602FL |
|--|------------------------------------|-------------------|
| Generation Element: | Dynamic | |
| Frequency Response: | 100 to 7,000 Hz | 200 - 5,000 Hz |
| Polar Pattern: (see chart) | Omnidirectional | Noise Cancelling |
| Impedance: | 150 Ohms | |
| Output Level (0 dB = 1mW/10 dynes/cm ²): | -55 dB | -60 dB |
| Case Material: | Polycarbonate | |
| Finish: | Textured Black | |
| Switch Type: | Push-to-Talk | |
| Cable | 4-Conductor, 2 Shielded, PVC Black | |
| Dimension, Width: | 68.3 mm (2.68") | |
| Dimension, Length: | 98.4 mm (3.88") | |
| Dimension, Depth: | 45.3 mm (1.78") | 58.0 mm (2.28") |
| Net Weight (with Cable): | 243.5 g (8.6 oz.) | 280.0 g (9.9 oz.) |

The case shall be molded of high impact plastic with black textured finish. A panel mounting bracket shall be supplied. The microphone shall have a net weight of 280.0 g (9.9 oz) including cable. The microphone shall have a nominal impedance value of 150 ohms. Output level shall be -60 dB (0 dB = 1 mW/10 dynes/cm²). Cable shall be 4-conductor (2-shielded), rubber-jacketed, black coiled cord extendible to 1.8 m (6 ft.). Microphone circuit shall be balanced with respect to ground. An integral press-to-talk switch shall be provided, connected in a manner such that microphone element is shorted in "off" position while microphone line to amplifier remains "open" for multiple microphone paging applications. Cable circuits are isolated from microphone circuits. The Electro-Voice model US602FL is specified.

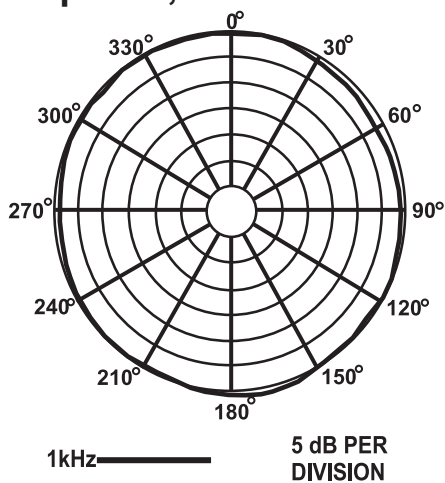
Frequency Response, US600EL:



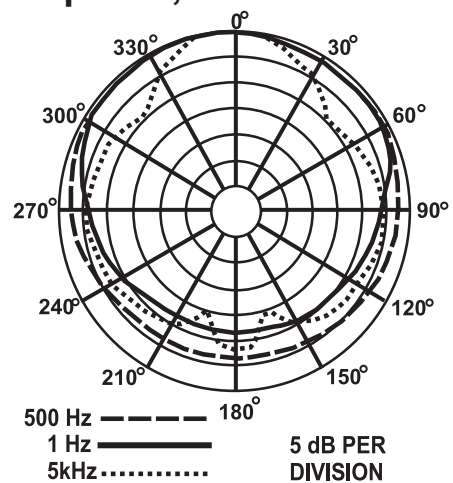
Frequency Response, US602FL:



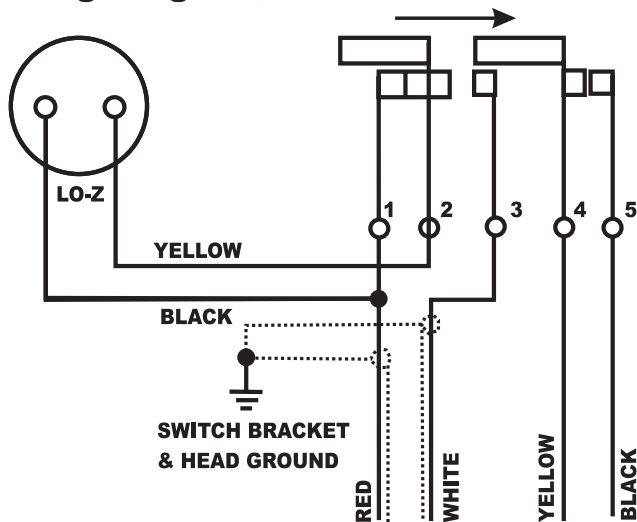
Polar Response, US600EL:



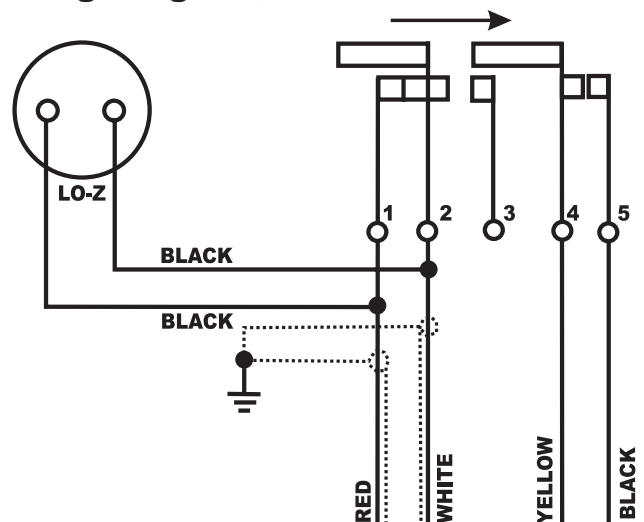
Polar Response, US602FL:



Wiring Diagram, US600EL:



Wiring Diagram, US602FL:



12000 Portland Avenue South, Burnsville, MN 55337
Phone:952/884-4051, Fax:952/884-0043

www.electrovoice.com

© Telex Communications, Inc. 6/2006
Part Number 532589 Rev C

U.S.A. and Canada only. For customer orders, contact Customer Service at:
800/392-3497 Fax: 800/955-6831

Europe, Africa, and Middle East only. For customer orders, contact Customer Service at:
+ 49 9421-706 0 Fax: + 49 9421-706 265

Other International locations. For customer orders, contact Customer Service at:
+ 1 952 884-4051 Fax: + 1 952 736-4212

For warranty repair or service information, contact the Service Repair department at:
800/553-5992 or 402/467-5321

For technical assistance, contact Technical Support at: 800/392-3497 or 952/736-4656

Specifications subject to change without notice.